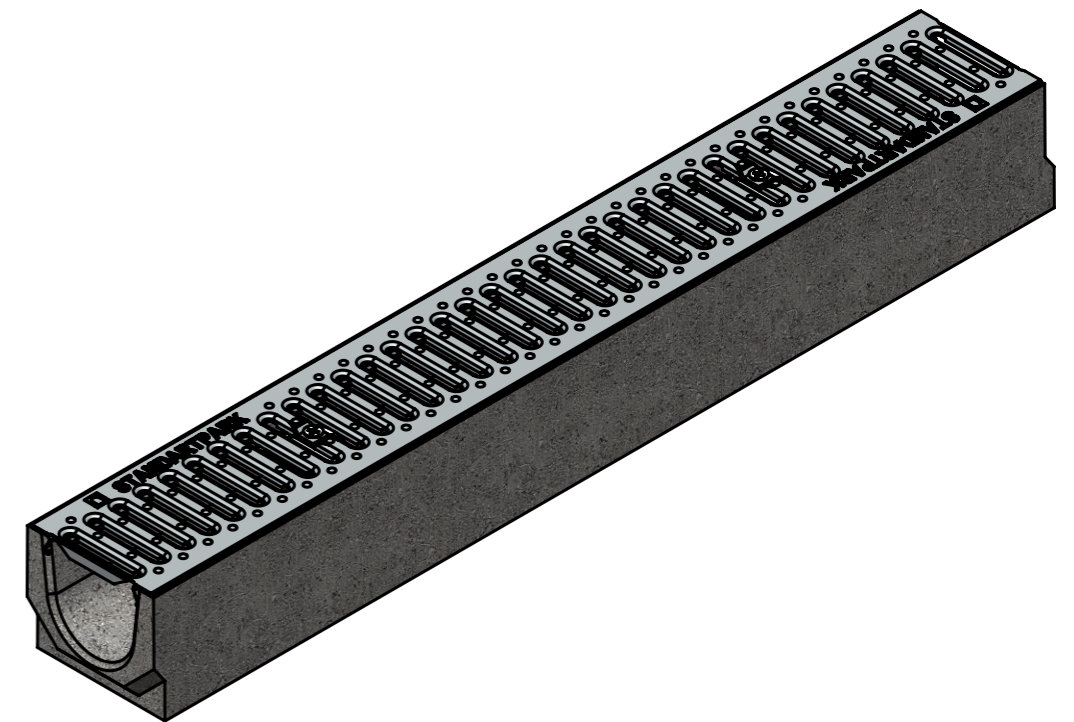
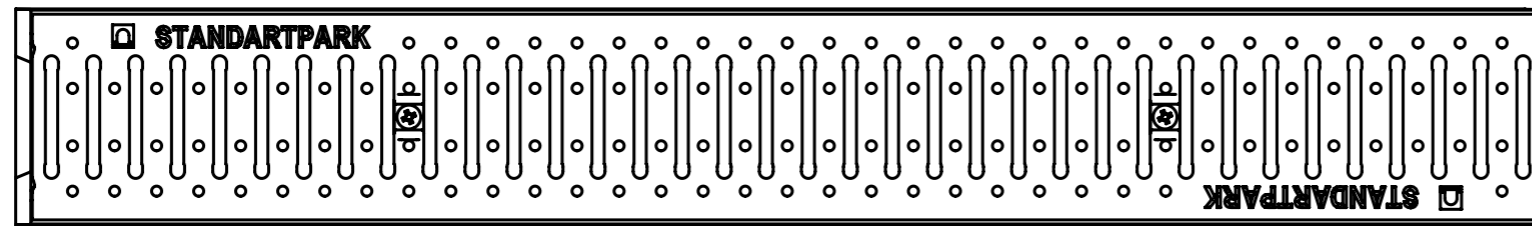
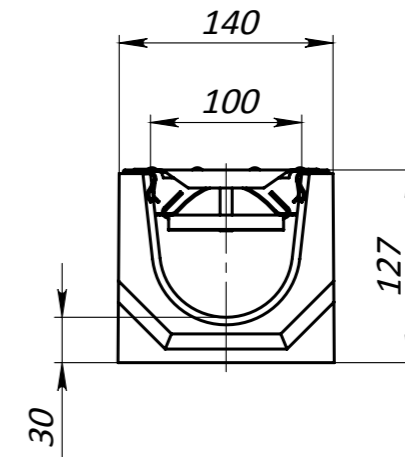
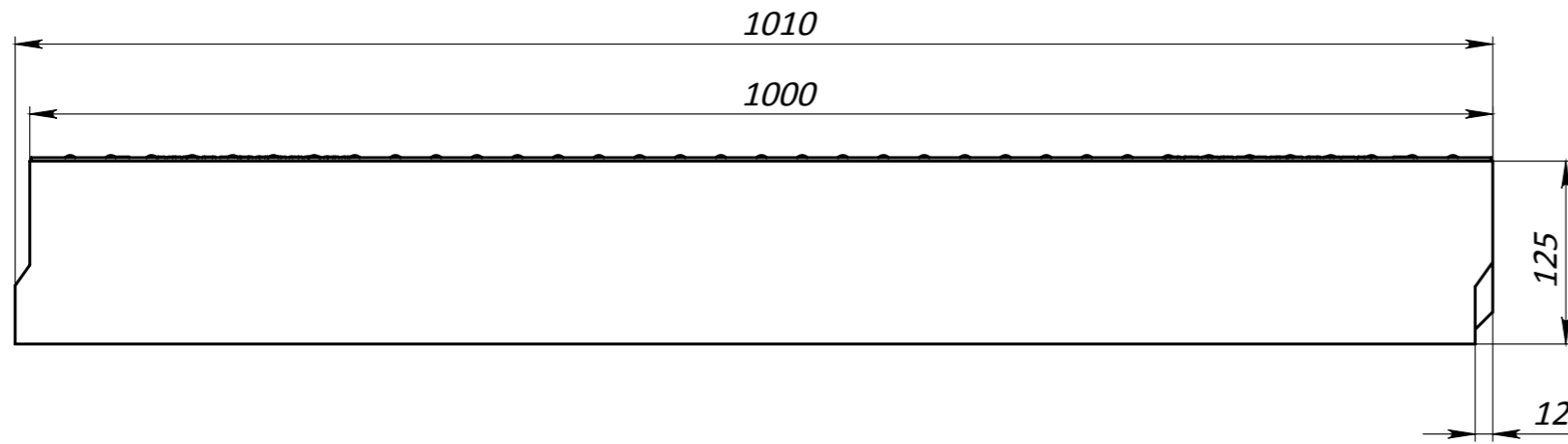


Primary Usage								
Reference No.								
Sign. and date								
Copy inv. No.								
Repl. Inv. No.								
Sign. and date								
Orig. Inv. No.								

LV-10.14.13-B - 4000



Deviation of the actual weight of the nominal can be up to 10%

							Art. 4000
						LV-10.14.13-B - 4000	
						Concrete Channel BetoMax	Let. Weight Scale
						Load Class A	24.3 1:5
						Concrete	Sheet Sheets 1
							standartpark