

LV-15.21.10-B - 042171334

Primary Usage

Reference No.

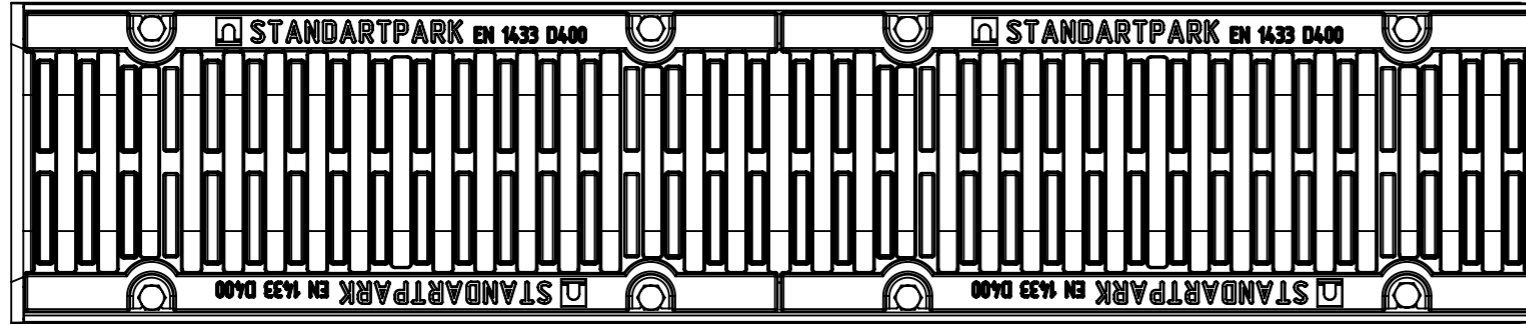
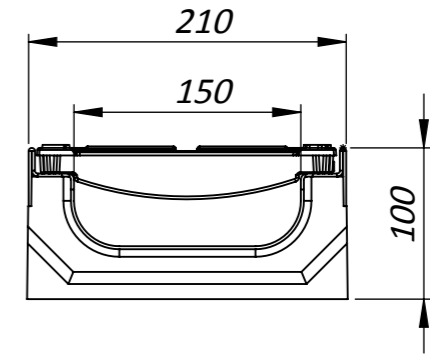
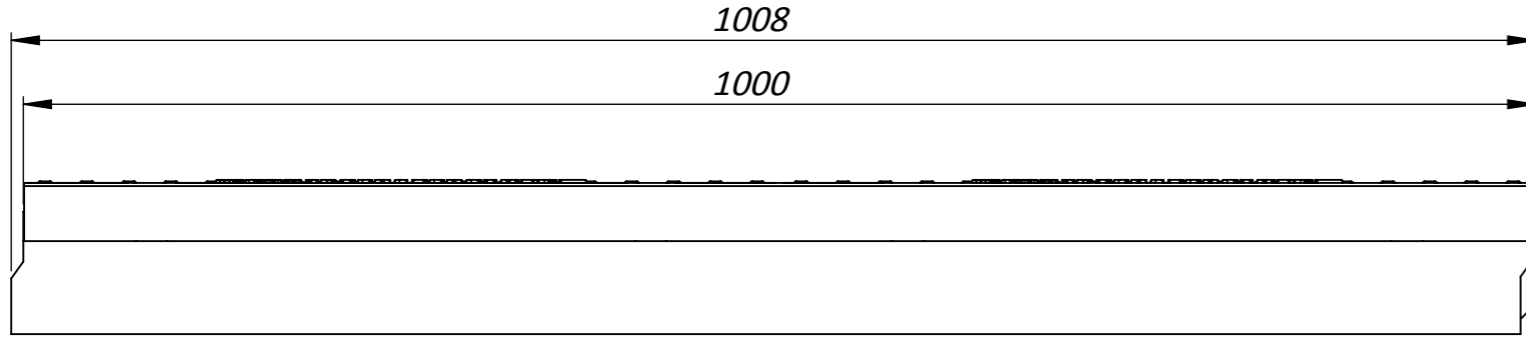
Sign. and date

Copy inv. No.

Repl. Inv. No.

Sign. and date

Orig. Inv. No.



1. Area of water intake slots 618 sq cm
2. Deviation of the actual weight of the nominal can be up to 8%

					Art. 042171334		
					LV-15.21.10-B - 042171334		
					Concrete channel BetoMax with grating slotted		
					Load Class D		
					Concrete, Steel, Ductile Cast Iron		standartpark
Rev.	Sheet	Doc. No.	Sign.	Data	Let.	Weight	Scale
				25.07.18		39.9	1:5
					Sheet	Sheets 1	