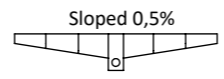
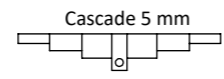
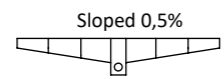
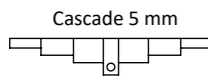
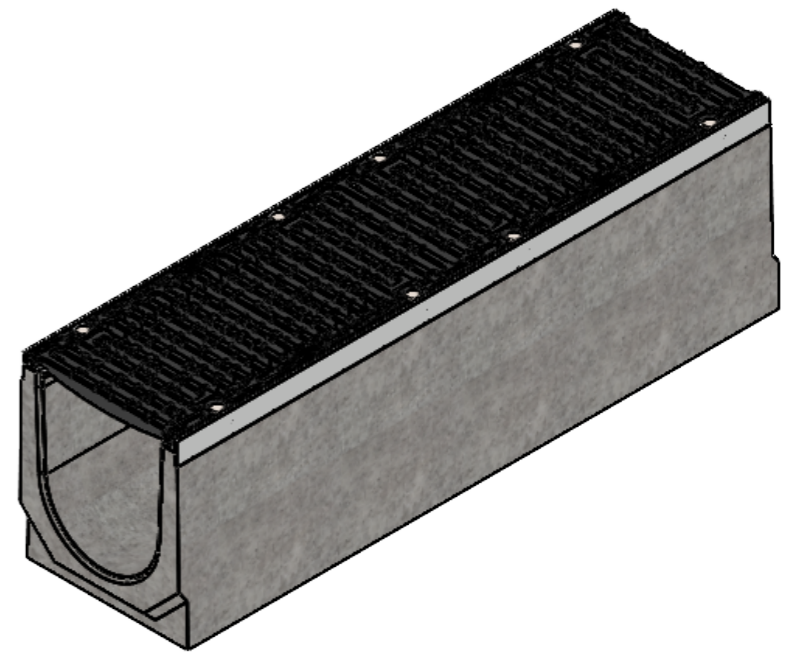


Channel with slotted Grate D400

Channel with slotted Grate D400 and vertical outlet 160



Article	H/h, mm	Weight kg
045071334/360	360	112,4
045071334/355	355	111,6
045071334/350	350	110,9
045071334/345	345	110,2
045071334/340	340	109,5
045071334/335	335	108,8
045071334/330	330	108,0
045071334/325	325	107,3
045071334/320	320	106,6
045071334/315	315	105,9
045071334/310	310	105,2
045071334/305	305	104,4
045071334/300	300	103,7
045071334/295	295	103,0
045071334/290	290	102,3
045071334/285	285	101,6
045071334/280	280	100,8
045071334/275	275	100,1
045071334/270	270	99,4
045071334/265	265	98,7
045071334/260	260	98,0
045071334/255	255	97,2
045071334/250	250	96,5
045071334/245	245	95,8
045071334/240	240	95,1
045071334/235	235	94,4
045071334/230	230	93,6
045071334/225	225	92,9
045071334/220	220	92,2
045071334/215	215	91,5
045071334/210	210	90,8
045071334/205	205	90,0
045071334/200	200	89,3

Article	H/h, mm	Weight kg
045071334/360-355	360/355	112,0
045071334/355-350	355/350	111,3
045071334/350-345	350/345	110,5
045071334/345-340	345/340	109,8
045071334/340-335	340/335	109,1
045071334/335-330	335/330	108,4
045071334/330-325	330/325	107,7
045071334/325-320	325/320	106,9
045071334/320-315	320/315	106,2
045071334/315-310	315/310	105,5
045071334/310-305	310/305	104,8
045071334/305-300	305/300	104,1
045071334/300-295	300/295	103,3
045071334/295-290	295/290	102,6
045071334/290-285	290/285	101,9
045071334/285-280	285/280	101,2
045071334/280-275	280/275	100,5
045071334/275-270	275/270	99,7
045071334/270-265	270/265	99,0
045071334/265-260	265/260	98,3
045071334/260-255	260/255	97,6
045071334/255-250	255/250	96,9
045071334/250-245	250/245	96,1
045071334/245-240	245/240	95,4
045071334/240-235	240/235	94,7
045071334/235-230	235/230	94,0
045071334/230-225	230/225	93,3
045071334/225-220	225/220	92,5
045071334/220-215	220/215	91,8
045071334/215-210	215/210	91,1
045071334/210-205	210/205	90,4
045071334/205-200	205/200	89,7

Article	H/h, mm	Weight kg
04507133409/360-P160	360	109,2
04507133409/355-P160	355	108,5
04507133409/350-P160	350	107,8
04507133409/345-P160	345	107,0
04507133409/340-P160	340	106,3
04507133409/335-P160	335	105,6
04507133409/330-P160	330	104,9
04507133409/325-P160	325	104,2
04507133409/320-P160	320	103,4
04507133409/315-P160	315	102,7
04507133409/310-P160	310	102,0
04507133409/305-P160	305	101,3
04507133409/300-P160	300	100,6
04507133409/295-P160	295	99,8
04507133409/290-P160	290	99,1
04507133409/285-P160	285	98,4
04507133409/280-P160	280	97,7
04507133409/275-P160	275	97,0
04507133409/270-P160	270	96,2
04507133409/265-P160	265	95,5
04507133409/260-P160	260	94,8
04507133409/255-P160	255	94,1
04507133409/250-P160	250	93,4
04507133409/245-P160	245	92,6
04507133409/240-P160	240	91,9
04507133409/235-P160	235	91,2
04507133409/230-P160	230	90,5
04507133409/225-P160	225	89,8
04507133409/220-P160	220	89,0
04507133409/215-P160	215	88,3
04507133409/210-P160	210	87,6
04507133409/205-P160	205	86,9
04507133409/200-P160	200	86,2

Article	H/h, mm	Weight kg
04507133409/360-355-P160	360/355	108,8
04507133409/355-350-P160	355/350	108,1
04507133409/350-345-P160	350/345	107,4
04507133409/345-340-P160	345/340	106,7
04507133409/340-335-P160	340/335	105,9
04507133409/335-330-P160	335/330	105,2
04507133409/330-325-P160	330/325	104,5
04507133409/325-320-P160	325/320	103,8
04507133409/320-315-P160	320/315	103,1
04507133409/315-310-P160	315/310	102,3
04507133409/310-305-P160	310/305	101,6
04507133409/305-300-P160	305/300	100,9
04507133409/300-295-P160	300/295	100,2
04507133409/295-290-P160	295/290	99,5
04507133409/290-285-P160	290/285	98,7
04507133409/285-280-P160	285/280	98,0
04507133409/280-275-P160	280/275	97,3
04507133409/275-270-P160	275/270	96,6
04507133409/270-265-P160	270/265	95,9
04507133409/265-260-P160	265/260	95,1
04507133409/260-255-P160	260/255	94,4
04507133409/255-250-P160	255/250	93,7
04507133409/250-245-P160	250/245	93,0
04507133409/245-240-P160	245/240	92,3
04507133409/240-235-P160	240/235	91,5
04507133409/235-230-P160	235/230	90,8
04507133409/230-225-P160	230/225	90,1
04507133409/225-220-P160	225/220	89,4
04507133409/220-215-P160	220/215	88,7
04507133409/215-210-P160	215/210	87,9
04507133409/210-205-P160	210/205	87,2
04507133409/205-200-P160	205/200	86,5

1. Dimensions for reference
2. Delivery and packaging are carried out in accordance with the terms of the contract
3. The manufacturer reserves the right, without notice to the consumer, to make changes to the design of the products for improvement of their technological and operational parameters, which will not affect the quality and properties of the product
4. Deviation of the actual weight of the nominal can be up to 10%.

UNLESS OTHERWISE SPECIFIED: DIMENSIONS ARE IN MILLIMETERS SURFACE FINISH: TOLERANCES: ISO 2768 - C LINEAR: ANGULAR:		FINISH:	DEBURR AND BREAK SHARP EDGES	DO NOT SCALE DRAWING	REVISION
DRAWN: Olender CHK'D: Kyselytsia APPV'D: Malynovskiy MFG: QA:				TITLE: Concrete Drain Channel Pro DN200 H200-360 with Cast Iron Grate D400	
MATERIAL: Concrete, Cast Iron				ARTICLE:	A3
WEIGHT: kg				SCALE: 1:7	SHEET 1 OF 1