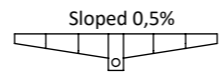
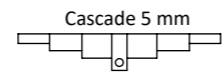
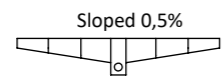
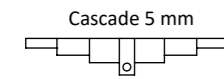


Channel with slotted Grate E600

Channel with slotted Grate E600 and vertical outlet 200

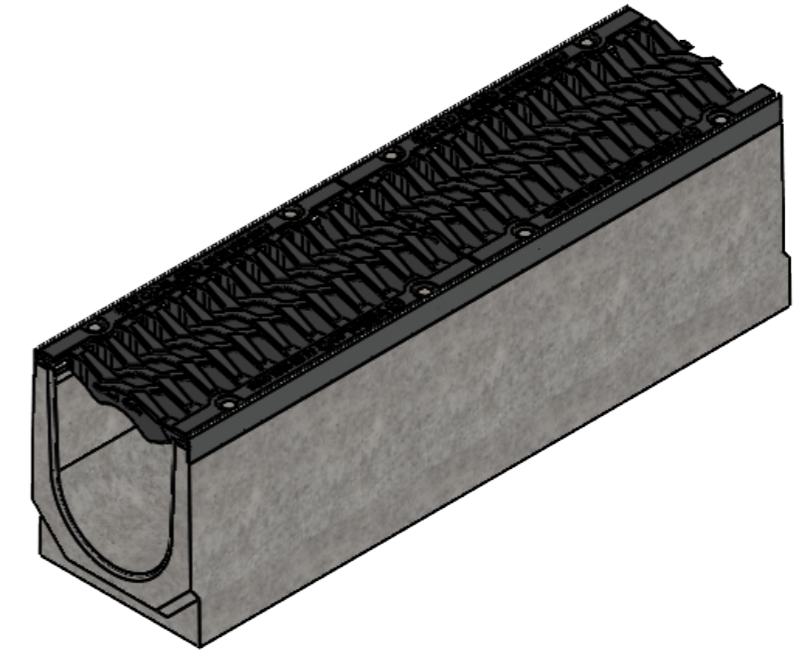


Article	H/h, mm	Weight kg
04507155/360	360	115,3
04507155/355	355	114,5
04507155/350	350	113,8
04507155/345	345	113,1
04507155/340	340	112,4
04507155/335	335	111,7
04507155/330	330	110,9
04507155/325	325	110,2
04507155/320	320	109,5
04507155/315	315	108,8
04507155/310	310	108,1
04507155/305	305	107,3
04507155/300	300	106,6
04507155/295	295	105,9
04507155/290	290	105,2
04507155/285	285	104,5
04507155/280	280	103,7
04507155/275	275	103,0
04507155/270	270	102,3
04507155/265	265	101,6
04507155/260	260	100,9
04507155/255	255	100,1
04507155/250	250	99,4
04507155/245	245	98,7
04507155/240	240	98,0
04507155/235	235	97,3
04507155/230	230	96,5
04507155/225	225	95,8
04507155/220	220	95,1
04507155/215	215	94,4
04507155/210	210	93,7
04507155/205	205	92,9
04507155/200	200	92,2

Article	H/h, mm	Weight kg
04507155/360-355	360/355	114,9
04507155/355-350	355/350	114,2
04507155/350-345	350/345	113,4
04507155/345-340	345/340	112,7
04507155/340-335	340/335	112,0
04507155/335-330	335/330	111,3
04507155/330-325	330/325	110,6
04507155/325-320	325/320	109,8
04507155/320-315	320/315	109,1
04507155/315-310	315/310	108,4
04507155/310-305	310/305	107,7
04507155/305-300	305/300	107,0
04507155/300-295	300/295	106,2
04507155/295-290	295/290	105,5
04507155/290-285	290/285	104,8
04507155/285-280	285/280	104,1
04507155/280-275	280/275	103,4
04507155/275-270	275/270	102,6
04507155/270-265	270/265	101,9
04507155/265-260	265/260	101,2
04507155/260-255	260/255	100,5
04507155/255-250	255/250	99,8
04507155/250-245	250/245	99,0
04507155/245-240	245/240	98,3
04507155/240-235	240/235	97,6
04507155/235-230	235/230	96,9
04507155/230-225	230/225	96,2
04507155/225-220	225/220	95,4
04507155/220-215	220/215	94,7
04507155/215-210	215/210	94,0
04507155/210-205	210/205	93,3
04507155/205-200	205/200	92,6

Article	H/h, mm	Weight kg
0450715509/360	360	110,2
0450715509/355	355	109,5
0450715509/350	350	108,8
0450715509/345	345	108,1
0450715509/340	340	107,3
0450715509/335	335	106,6
0450715509/330	330	105,9
0450715509/325	325	105,2
0450715509/320	320	104,5
0450715509/315	315	103,7
0450715509/310	310	103,0
0450715509/305	305	102,3
0450715509/300	300	101,6
0450715509/295	295	100,9
0450715509/290	290	100,1
0450715509/285	285	99,4
0450715509/280	280	98,7
0450715509/275	275	98,0
0450715509/270	270	97,3
0450715509/265	265	96,5
0450715509/260	260	95,8
0450715509/255	255	95,1
0450715509/250	250	94,4
0450715509/245	245	93,7
0450715509/240	240	92,9
0450715509/235	235	92,2
0450715509/230	230	91,5
0450715509/225	225	90,8
0450715509/220	220	90,1
0450715509/215	215	89,3
0450715509/210	210	88,6
0450715509/205	205	87,9
0450715509/200	200	87,2

Article	H/h, mm	Weight kg
0450715509/360-355	360/355	109,8
0450715509/355-350	355/350	109,1
0450715509/350-345	350/345	108,4
0450715509/345-340	345/340	107,7
0450715509/340-335	340/335	107,0
0450715509/335-330	335/330	106,2
0450715509/330-325	330/325	105,5
0450715509/325-320	325/320	104,8
0450715509/320-315	320/315	104,1
0450715509/315-310	315/310	103,4
0450715509/310-305	310/305	102,6
0450715509/305-300	305/300	101,9
0450715509/300-295	300/295	101,2
0450715509/295-290	295/290	100,5
0450715509/290-285	290/285	99,8
0450715509/285-280	285/280	99,0
0450715509/280-275	280/275	98,3
0450715509/275-270	275/270	97,6
0450715509/270-265	270/265	96,9
0450715509/265-260	265/260	96,2
0450715509/260-255	260/255	95,4
0450715509/255-250	255/250	94,7
0450715509/250-245	250/245	94,0
0450715509/245-240	245/240	93,3
0450715509/240-235	240/235	92,6
0450715509/235-230	235/230	91,8
0450715509/230-225	230/225	91,1
0450715509/225-220	225/220	90,4
0450715509/220-215	220/215	89,7
0450715509/215-210	215/210	89,0
0450715509/210-205	210/205	88,2
0450715509/205-200	205/200	87,5



1. Dimensions for reference
2. Delivery and packaging are carried out in accordance with the terms of the contract
3. The manufacturer reserves the right, without notice to the consumer, to make changes to the design of the products for improvement of their technological and operational parameters, which will not affect the quality and properties of the product
4. Deviation of the actual weight of the nominal can be up to 10%.

UNLESS OTHERWISE SPECIFIED: DIMENSIONS ARE IN MILLIMETERS SURFACE FINISH: TOLERANCES: ISO 2768 - C LINEAR: ANGULAR:		FINISH:	DEBURR AND BREAK SHARP EDGES	DO NOT SCALE DRAWING	REVISION
DRAWN: Kyselytsia			SIGNATURE:	<p>Concrete Drain Channel Pro DN200 H200-360 with Cast Iron Grate E600</p>	
CHK'D: Kharambura			DATE: 22.07.22		
APPV'D: Malynovskiy					
MFG:					
QLA:					
MATERIAL: Concrete, Cast Iron			ARTICLE:	A3	
WEIGHT: kg			SCALE: 1:7	SHEET 1 OF 1	