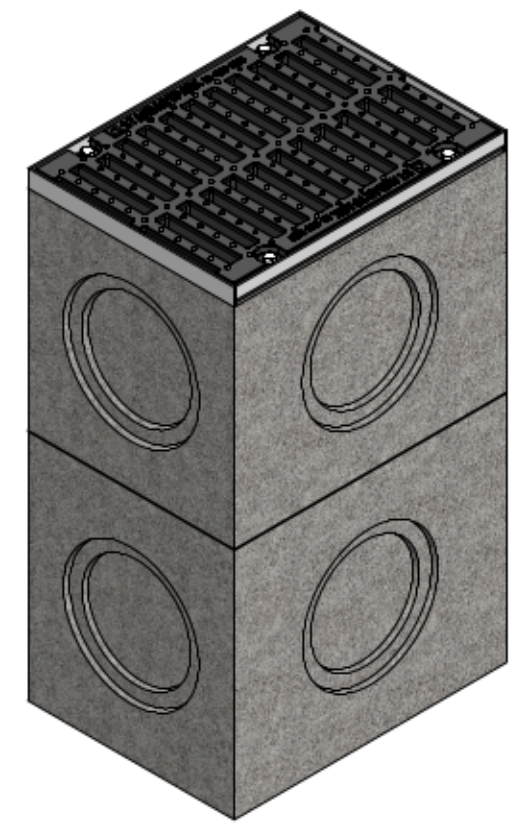
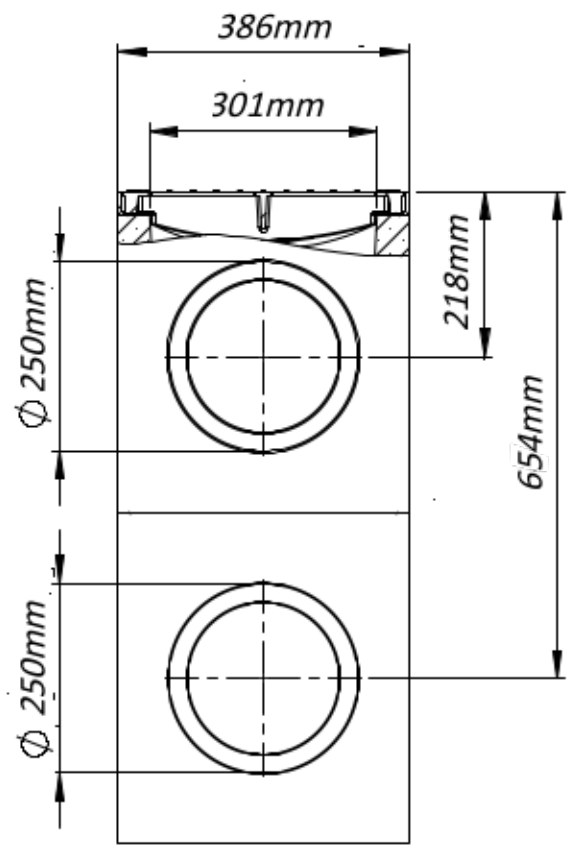
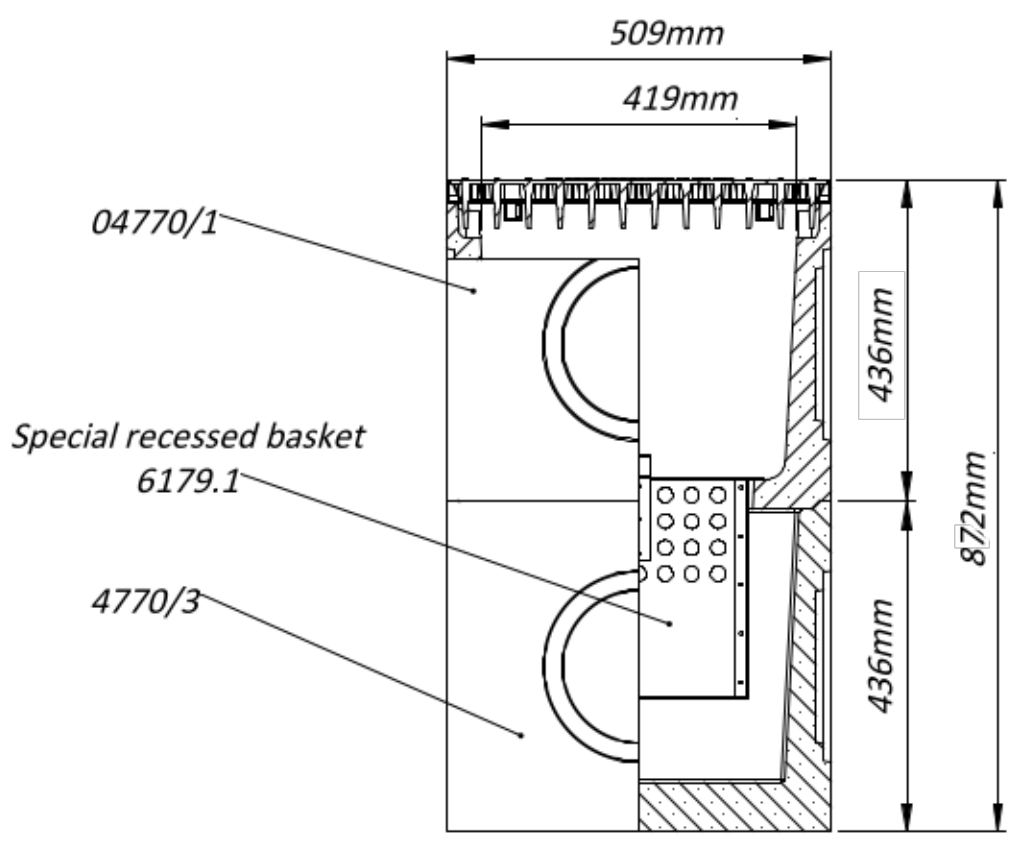


Primary Usage									
Reference No.									
Sign. and date									
Copy inv. No.									
Repl. Inv. No.									
Sign. and date									
Orig. Inv. No.									

12" Concrete Catch Basin (2 sections)



- 1. Area of water intake slots 108 sq in [697 sq cm]
- 2. Deviation of the actual weight of the nominal can be up to 8%

				Art. 04770
				12" Concrete Catch Basin (2 sections)
Rev.	Sheet	Doc. No.	Sign.	Data
				11.09.18
<b>04770</b> Load Class E				Let.
				Weight (lb)
Concrete, Steel, Ductile Cast Iron				Scale
				431.2
standartpark				Sheet
				Sheets 1