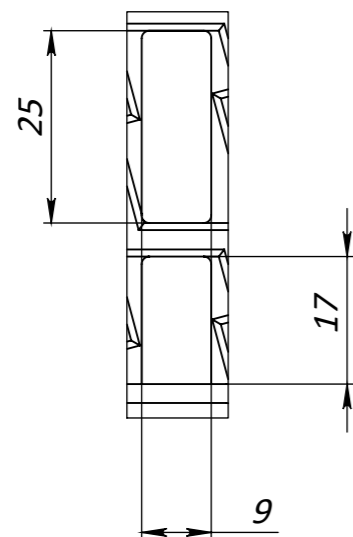


A (1:1)



- 1. Deviation of the actual weight of the nominal can be up to 8%
- 2. Area of water intake slots 33,2 sq in [214,4 sq cm]

UNLESS OTHERWISE SPECIFIED: DIMENSIONS ARE IN MILLIMETERS SURFACE FINISH: TOLERANCES: ISO 2768-c LINEAR: ANGULAR:		FINISH:		DO NOT SCALE DRAWING		REVISION	
DRAWN L/L		SIGNATURE		DATE 30.09.22		TITLE: Plastic channel Easy 1 DN70 H90 with plastic slotted grate	
CHK'D LMK						Load class: A15	
APPV'D						ARTICLE: 088081	
MFG				MATERIAL:		A3	
Q.A				WEIGHT: 0,612 kg		SCALE: 1:5	
						SHEET 1 OF 1	