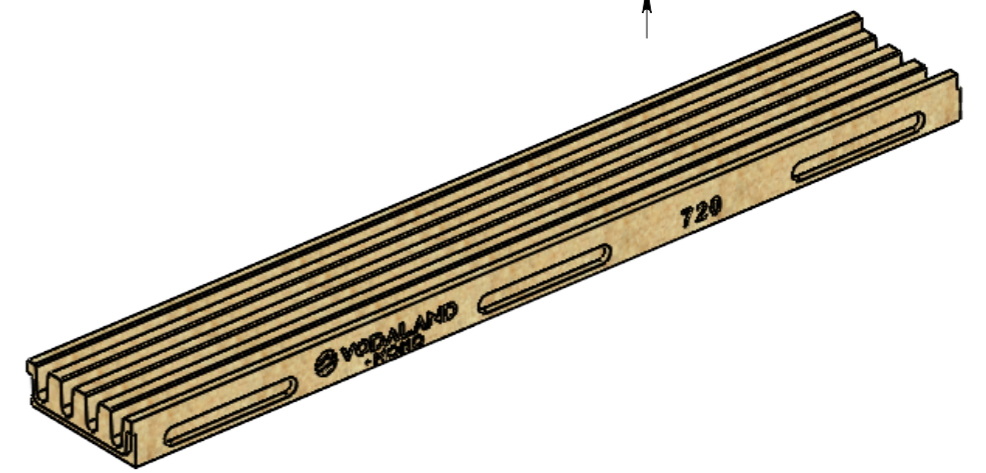
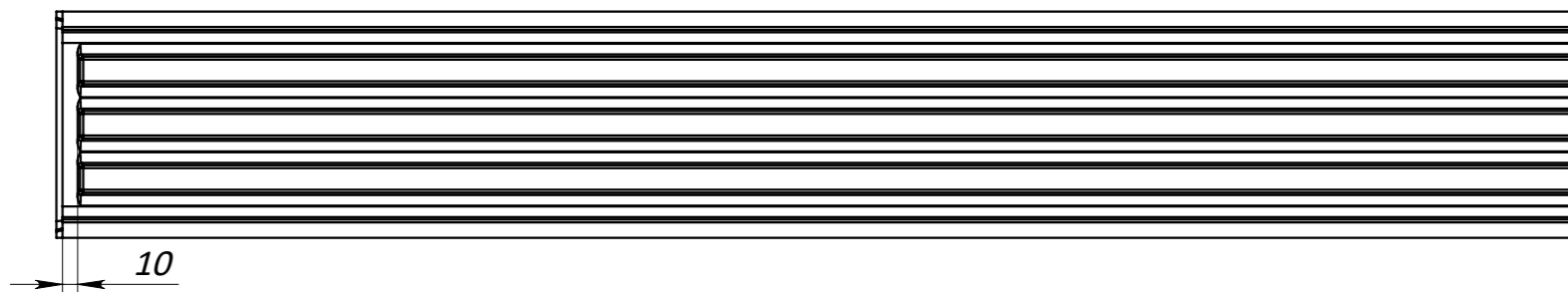
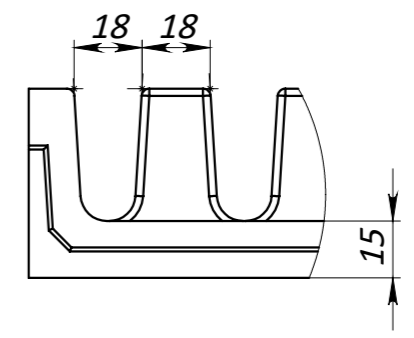


A
1:2



1. Dimensions for reference
2. Delivery and packaging are carried out in accordance with the terms of the contract
3. The manufacturer reserves the right, without notice to the consumer, to make changes to the design of the products for improvement of their technological and operational parameters, which will not affect the quality and properties of the product
4. Deviation of the actual weight of the nominal can be up to 10%.

UNLESS OTHERWISE SPECIFIED: DIMENSIONS ARE IN MILLIMETERS SURFACE FINISH: TOLERANCES: ISO 2768 - C LINEAR: ANGULAR:				FINISH:		DEBURR AND BREAK SHARP EDGES		DO NOT SCALE DRAWING		REVISION A-01	
								TITLE: Polymer Concrete Drain Channel Mono 150 H50 Open Slot C250			
DRAWN Kyselytsia				SIGNATURE		DATE 17.10.22		ARTICLE: 720		A3	
CHK'D Kharambura											
APPV'D Malynovskiy											
MFG											
Q.A								MATERIAL: Polymer Concrete			
								WEIGHT: 11.26 kg		SCALE: 1:5	
										SHEET 1 OF 1	