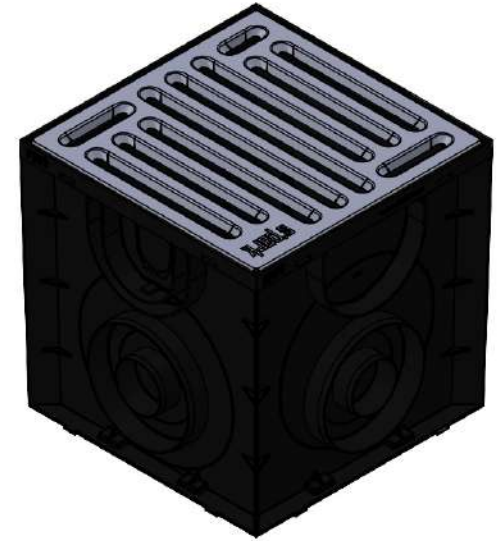
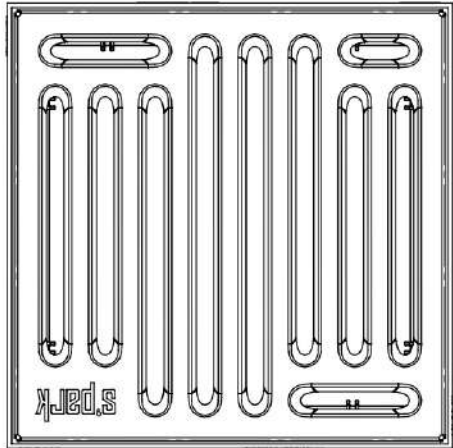
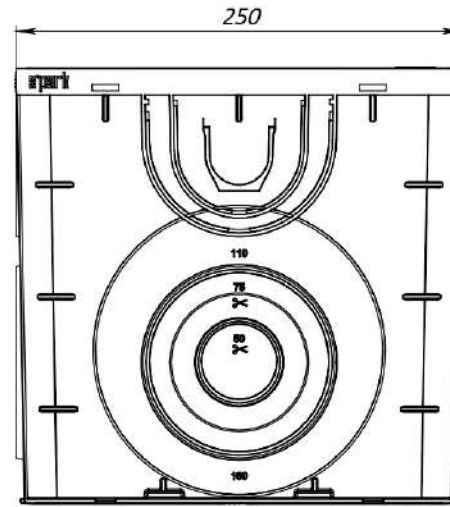
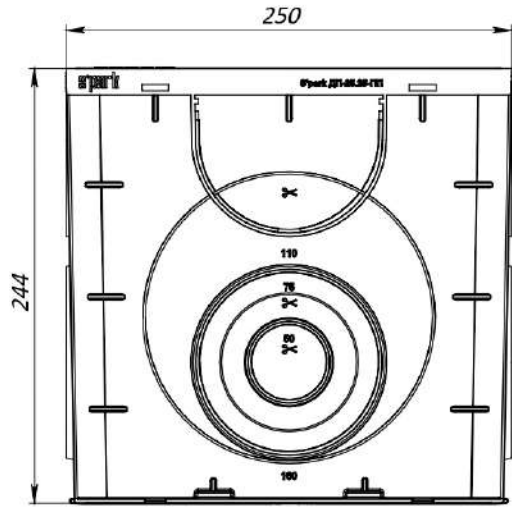


0860711

Primary Usage

Reference No.



1. Area of water intake slots 308,2 sq cm
2. Deviation of the actual weight of the nominal can be up to 10%

Sign. and date

Copy inv. No.

Repl. Inv. No.

Sign. and date

Orig. Inv. No.

								Art.	0860711	
								0860711		
								Let.	Weight	Scale
									1.53	1:5
								Sheet	Sheets 1	
								Plastic		