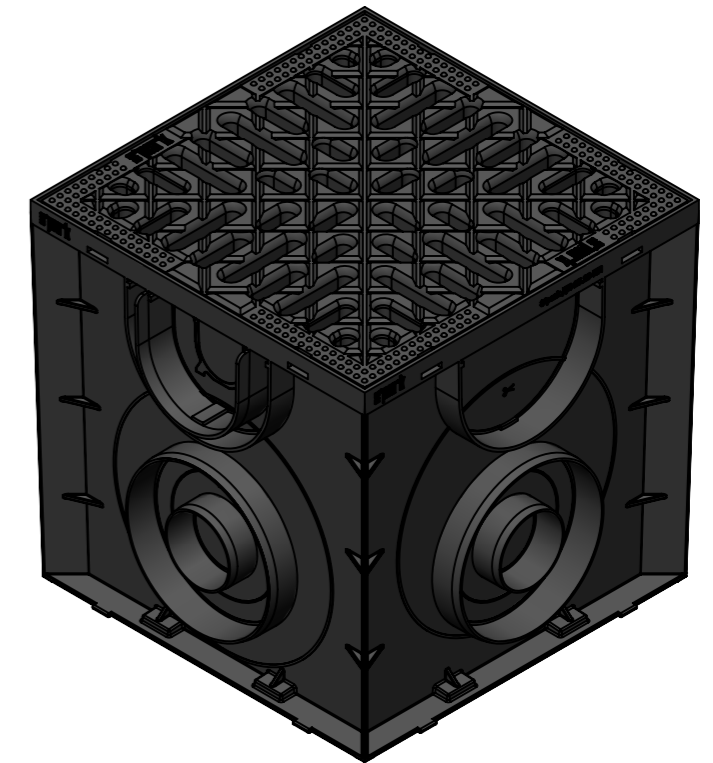
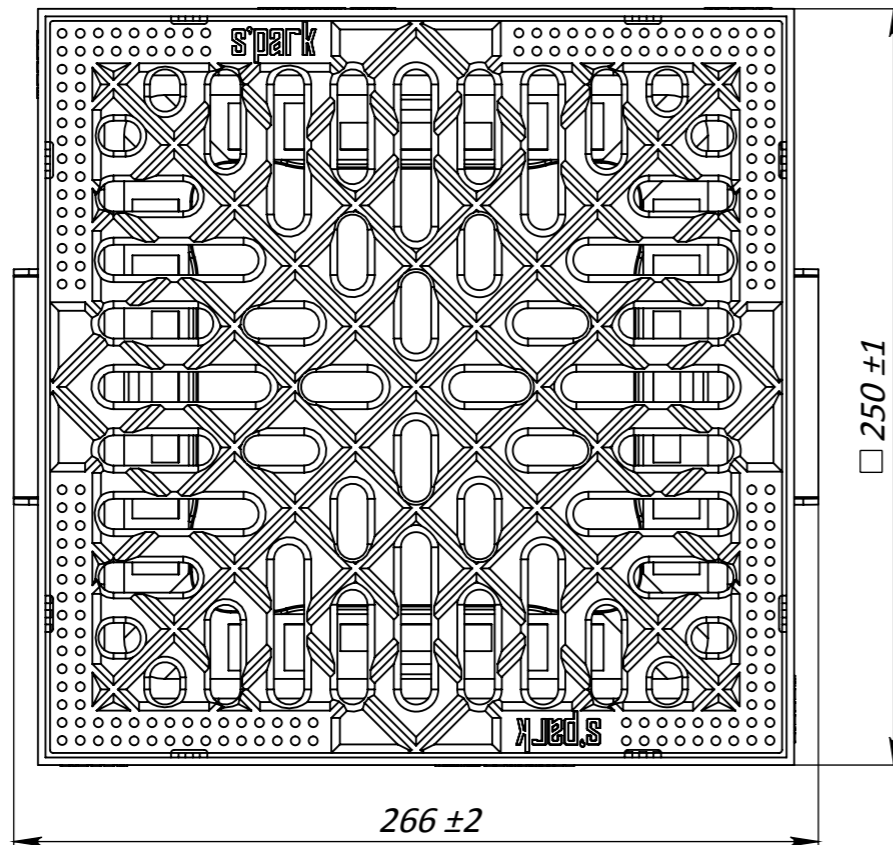
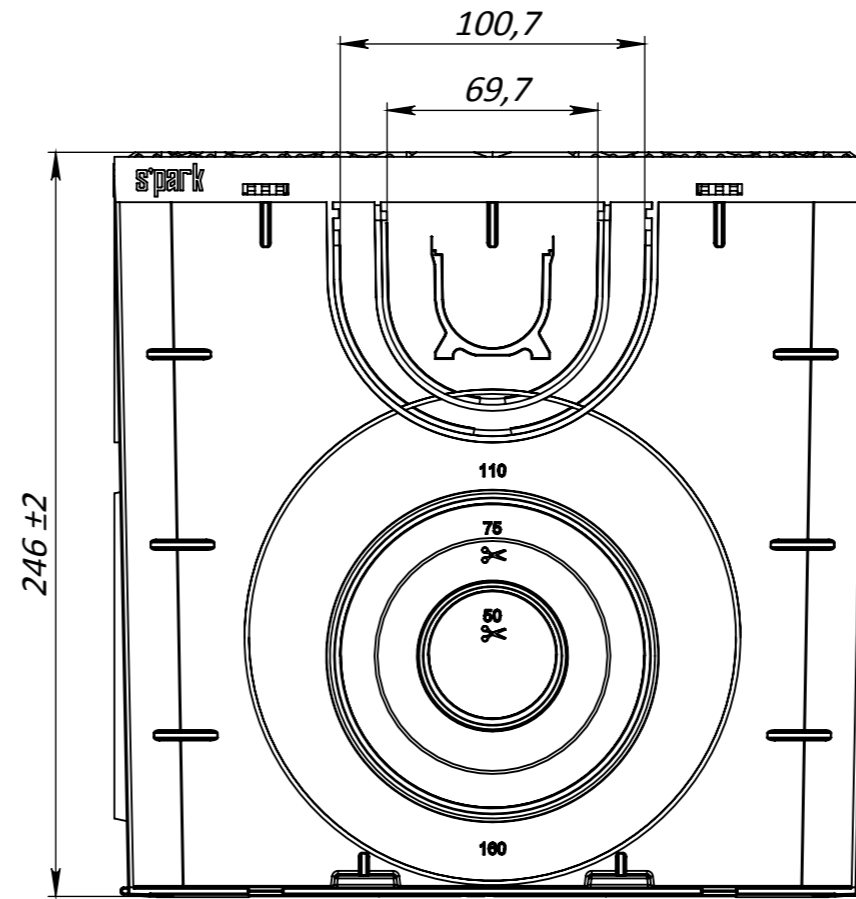
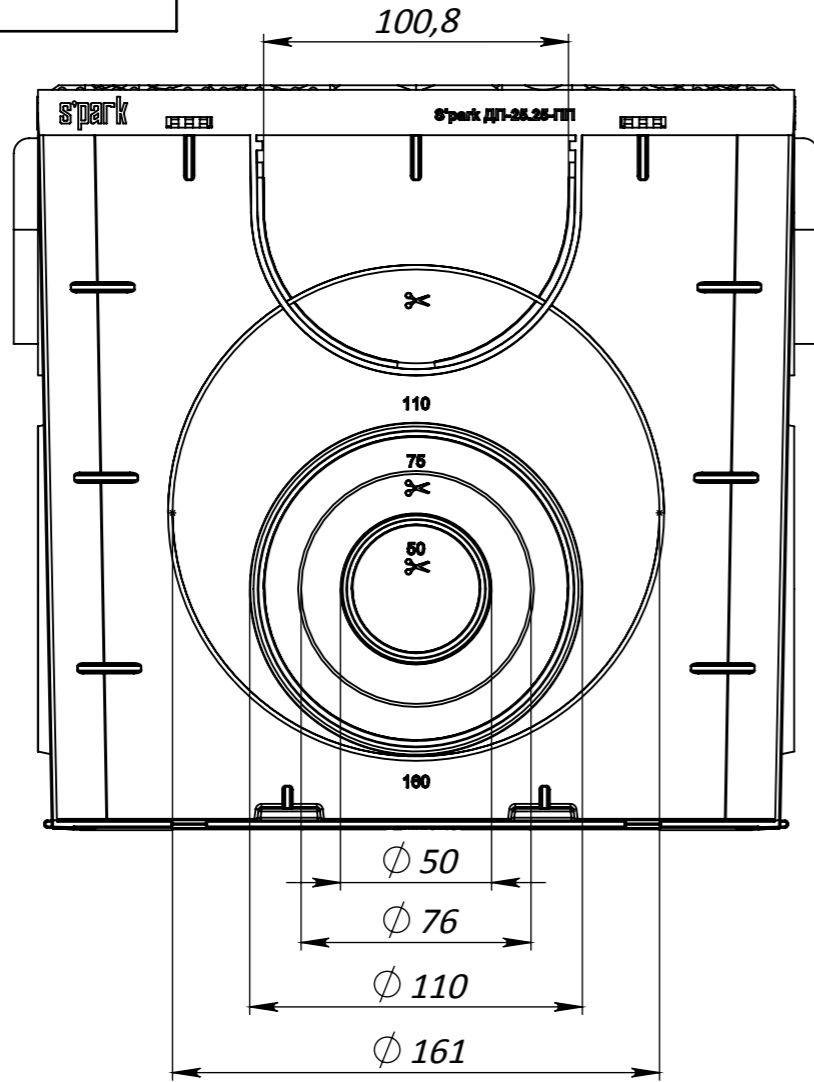


180/980 - pp - 0867081



Primary Usage

Reference No.

Sign. and date

Copy inv. No.

Repl. Inv. No.

Sign. and date

Orig. Inv. No.

				Art. 0867081
				<b>DP-25.25-PP - 0867081</b>
Rev.	Sheet	Doc. No.	Sign.	Data
				16.05.16
				Plastic Storm Water Inlet Spark with grating slotted
		Let.	Weight	Scale
			1.23	1:2.5
			Sheet	Sheets 1
				Plastic
				