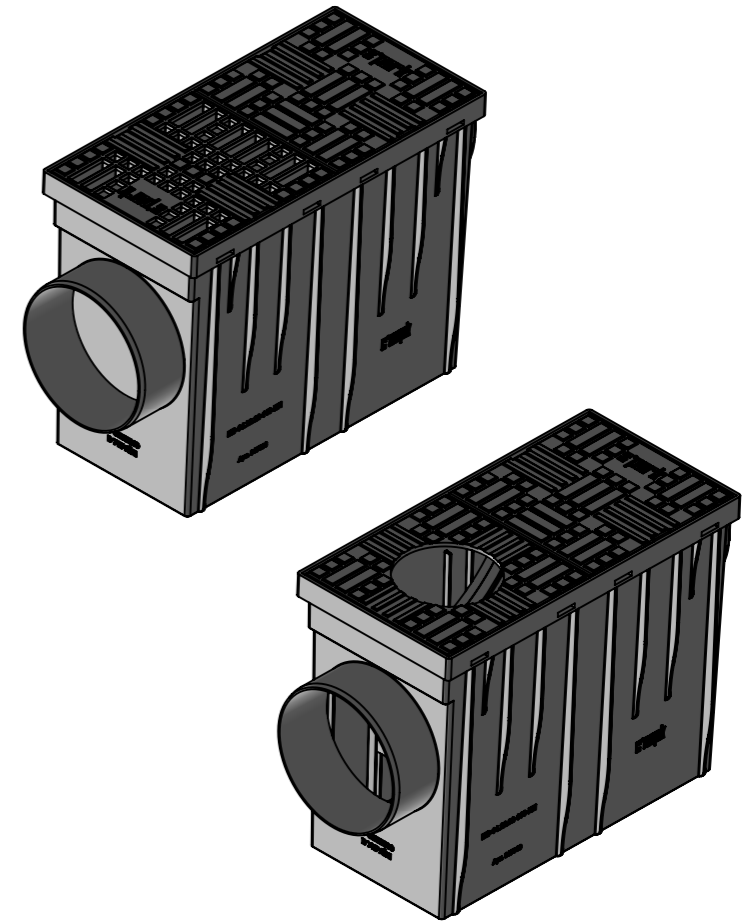
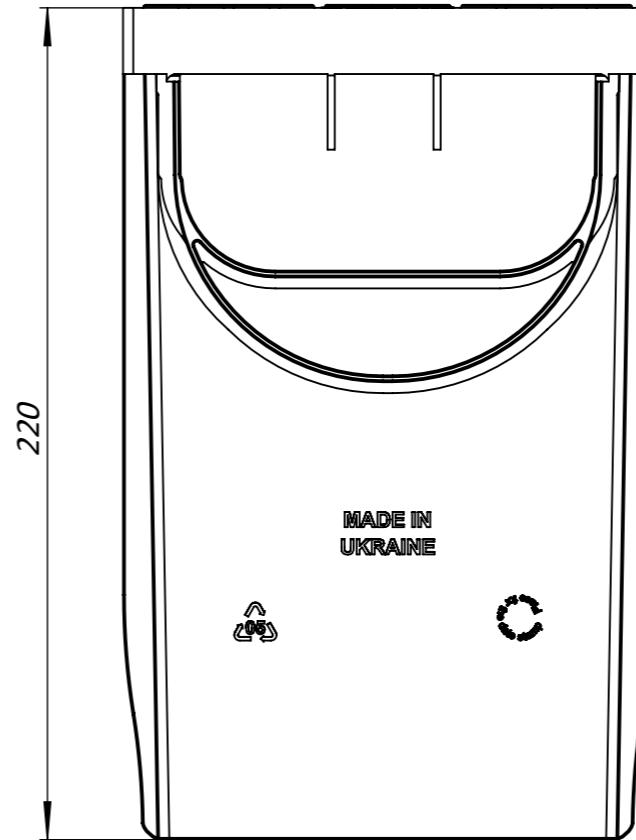
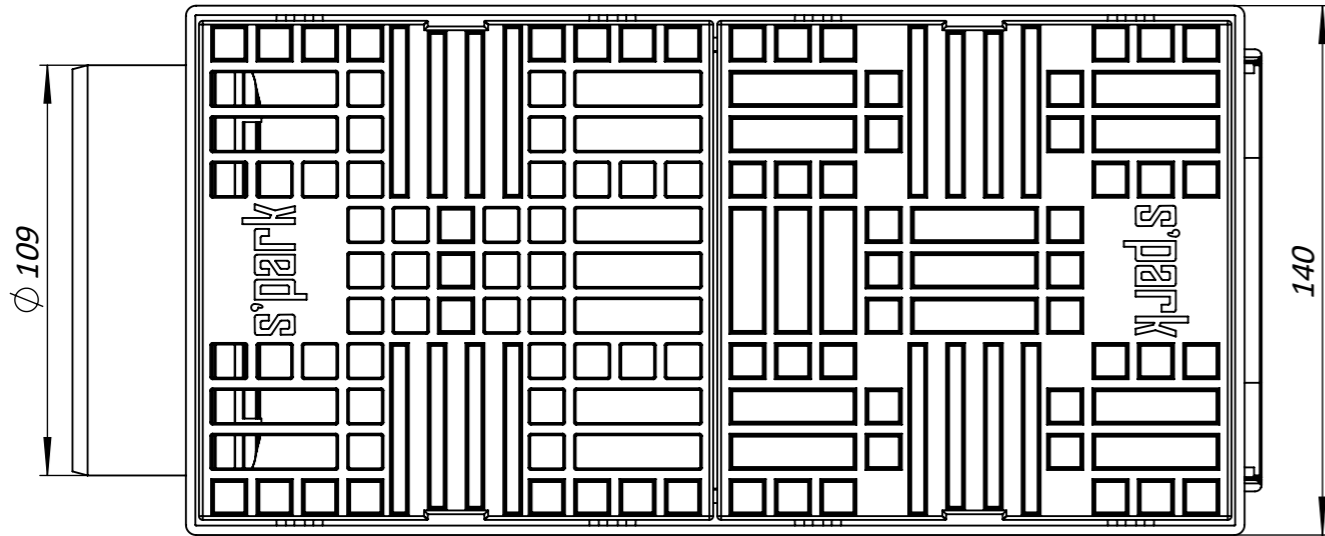


Primary Usage

Reference No.

BV-14.22.32-110-PP 817008-UA



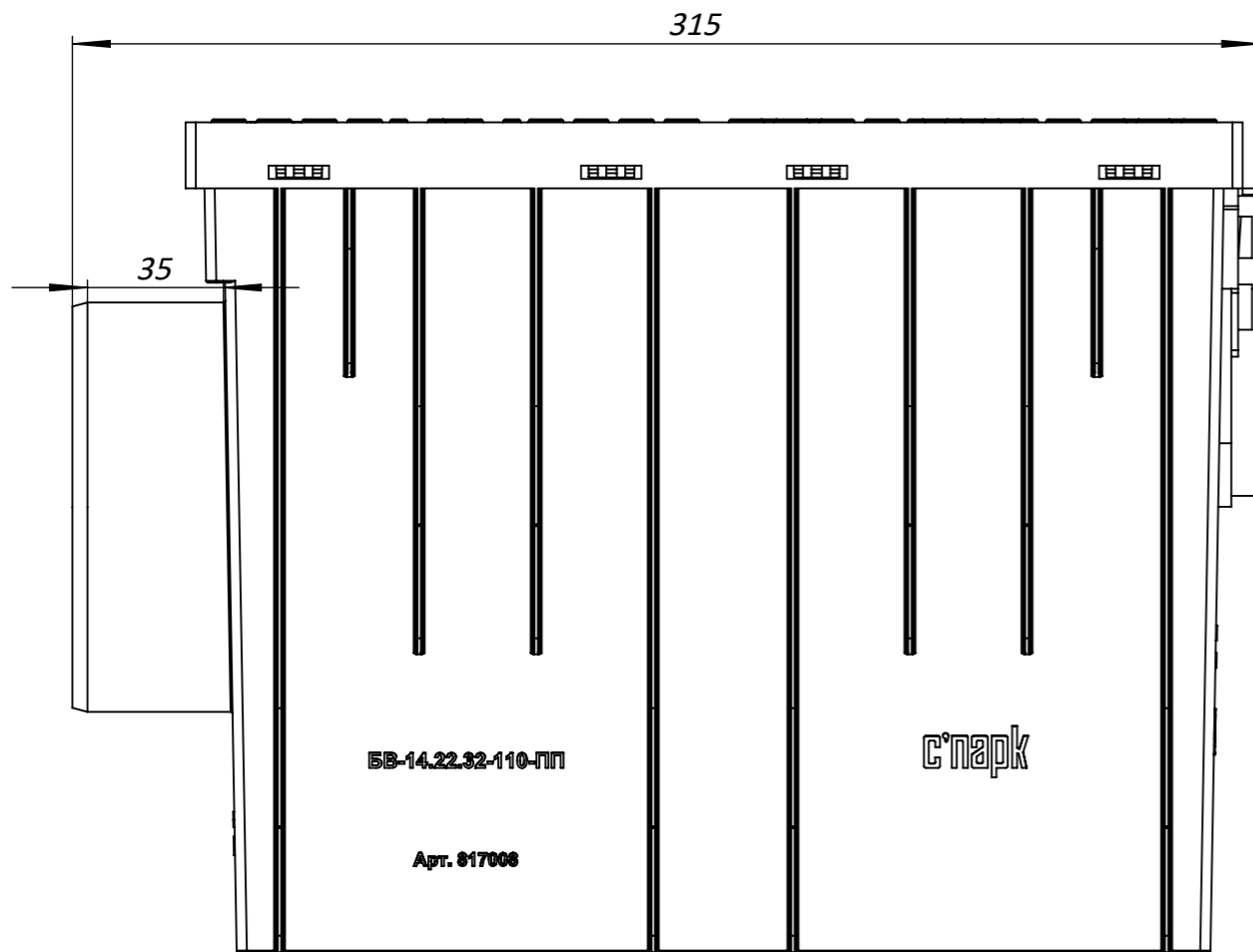
Sign. and date

Copy inv. No.

Repl. Inv. No.

Sign. and date

Orig. Inv. No.



| No | Name | Color |
|----|--|-------|
| 1 | Plastic Box with horizontal gutter S'park BV-14.22.32-110-PP 817008-CH UA | Black |
| 2 | Plastic Box with horizontal gutter S'park BV-14.22.32-110-PP 817008-K UA | Brown |
| 3 | Plastic Box with horizontal gutter S'park BV-14.22.32-110-PP 817008-S UA | Grey |

1. Deviation of the actual weight of the nominal can be up to 10%

| | | | | | | | | | |
|------|-------|----------|-------|----------|---|--|-------|----------|-------|
| | | | | | Art. 817008-UA | | | | |
| | | | | | BV-14.22.32-110-PP 817008-UA | | | | |
| | | | | | Plastic Box with horizontal gutter S'park | | Let. | Weight | Scale |
| Rev. | Sheet | Doc. No. | Sign. | Data | | | | 0.925 | 1:3 |
| | | | | 19.10.20 | | | Sheet | Sheets 1 | |
| | | | | | Plastic | | | | |