

LV-10.14.13-PV

Primary Usage

Reference No.

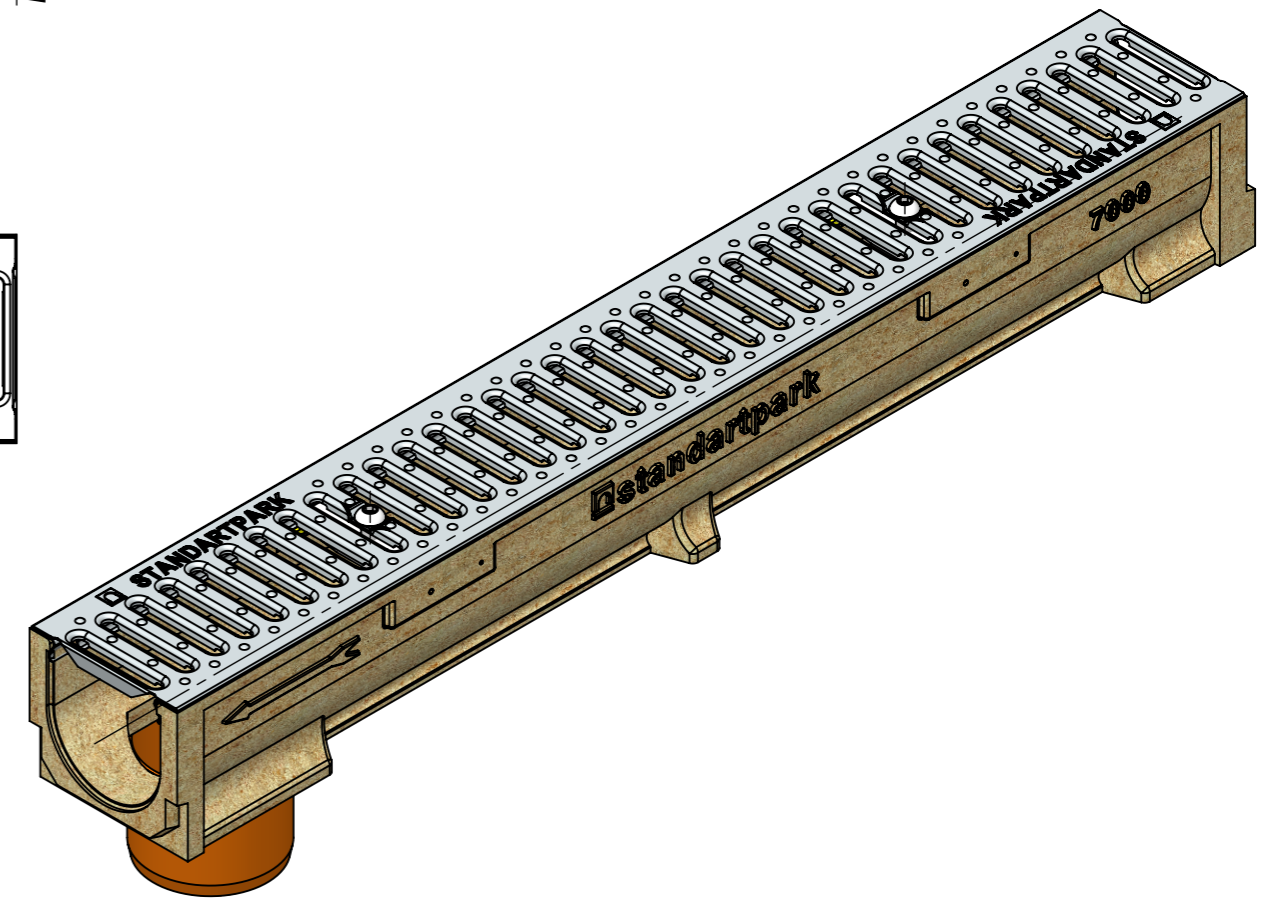
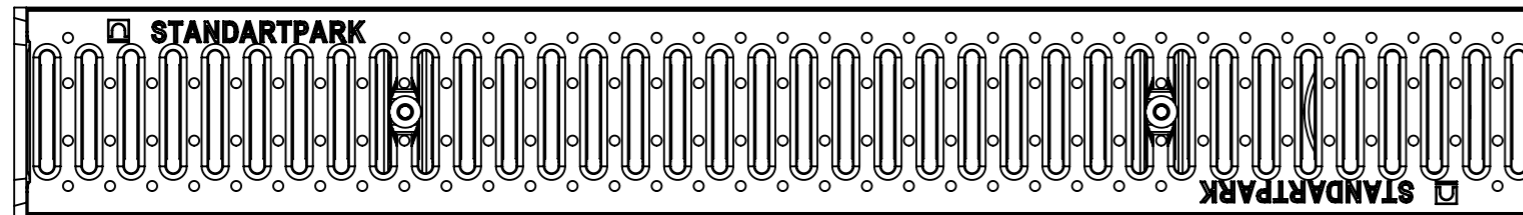
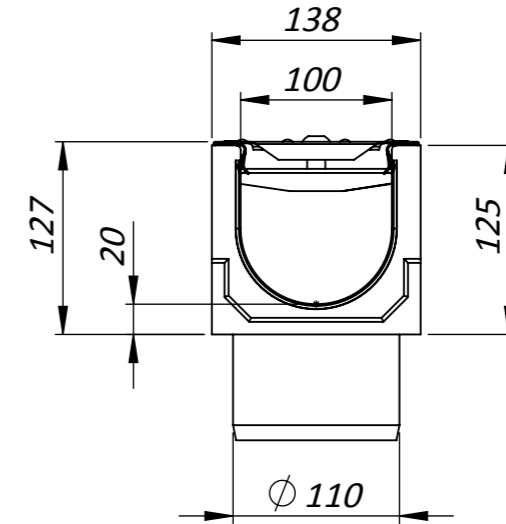
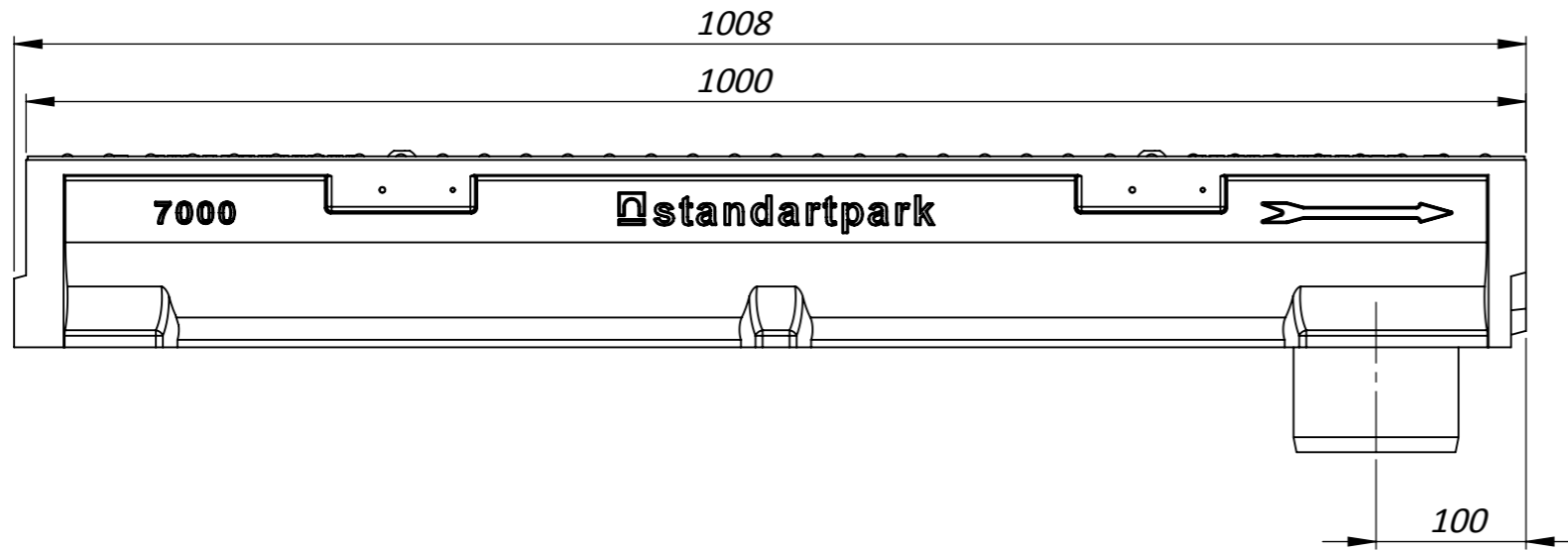
Sign. and date

Copy inv. No.

Repl. Inv. No.

Sign. and date

Orig. Inv. No.



1. Deviation of the actual weight of the nominal can be up to 8%

									Art.
						<b>LV-10.14.13-PV</b>			
						Polymer Concrete Channel with grating slotted  <b>Load Class A</b>	Let.	Weight	Scale
								12.0	1:5
							Sheet	Sheets 1	
						Polymer Concrete, Steel			