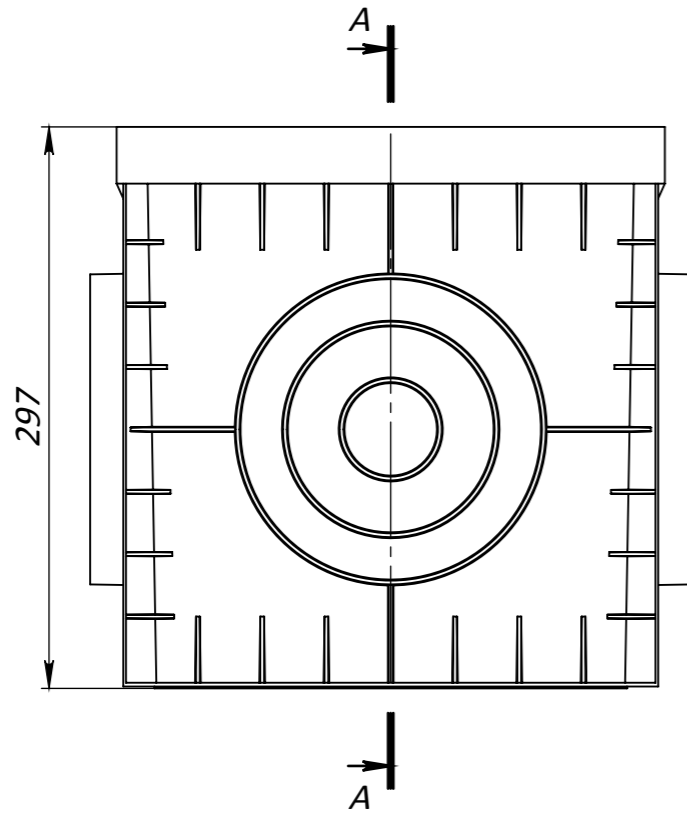


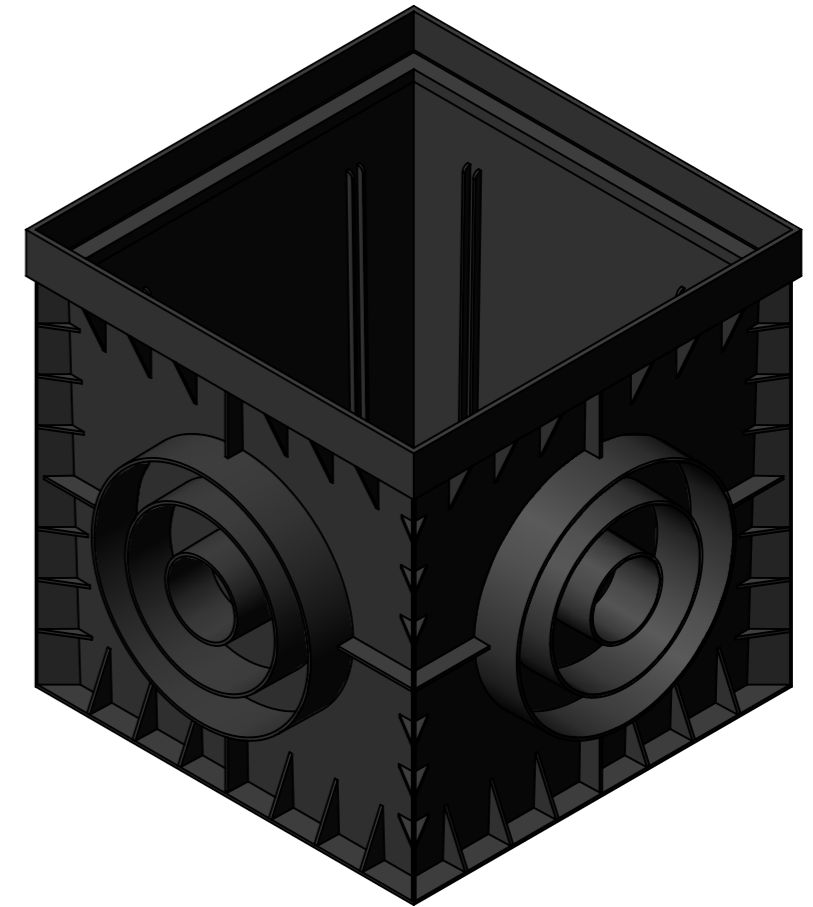
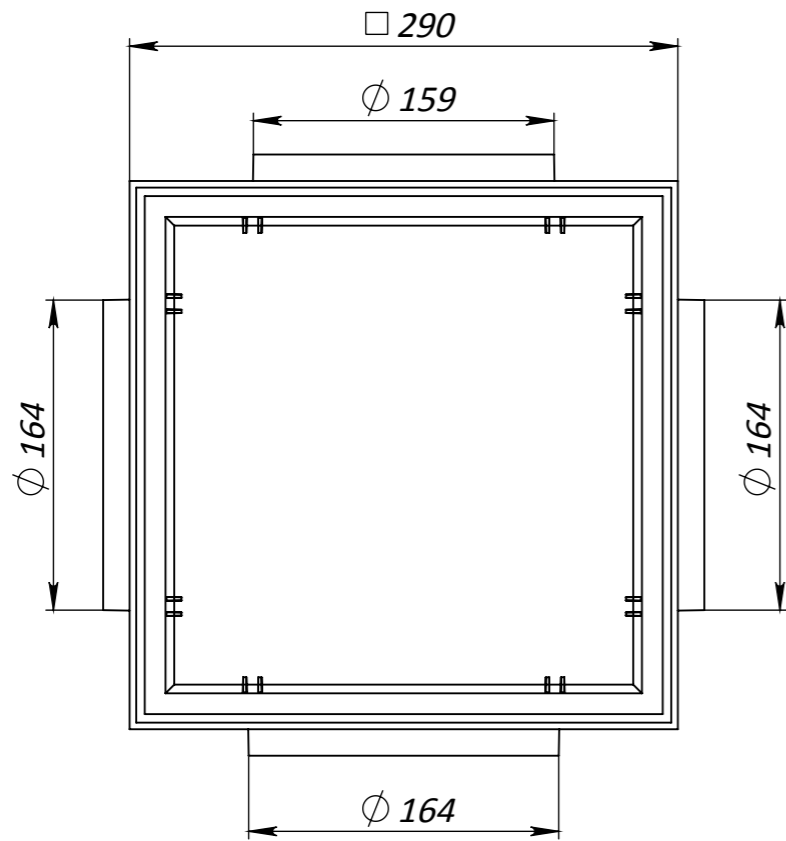
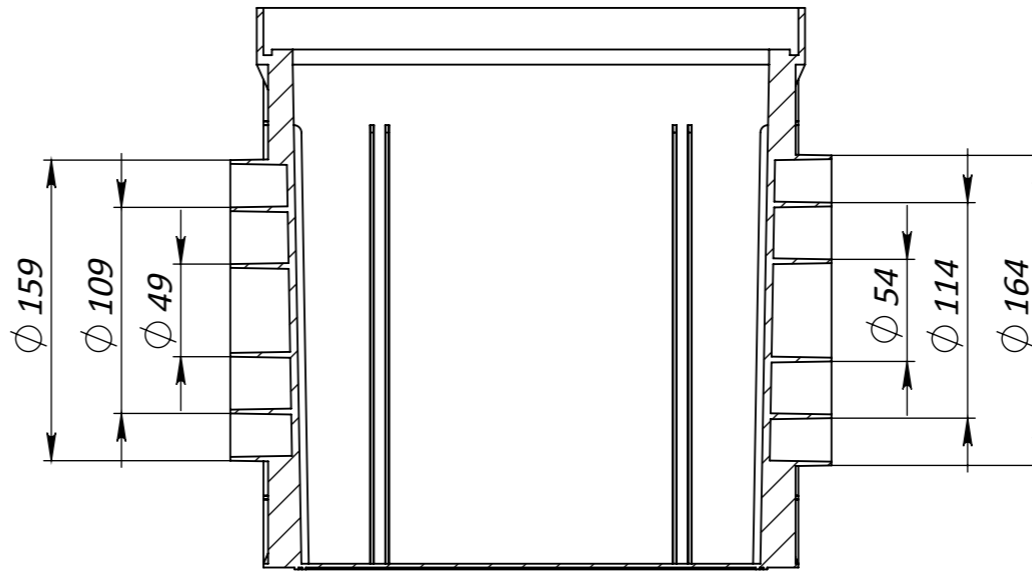
8370.2

Primary Usage

Reference No.



SECTION A-A



Sign. and date

Copy inv. No.

Repl. Inv. No.

Sign. and date

Orig. Inv. No.

					Art. 8370.2-CH			
					<b>8370.2</b>			
					<b>Plastic Catch Basin</b>	Let.	Weight	Scale
							1.8	1:4
						Sheet	Sheets 1	
					<b>Plastic</b>	