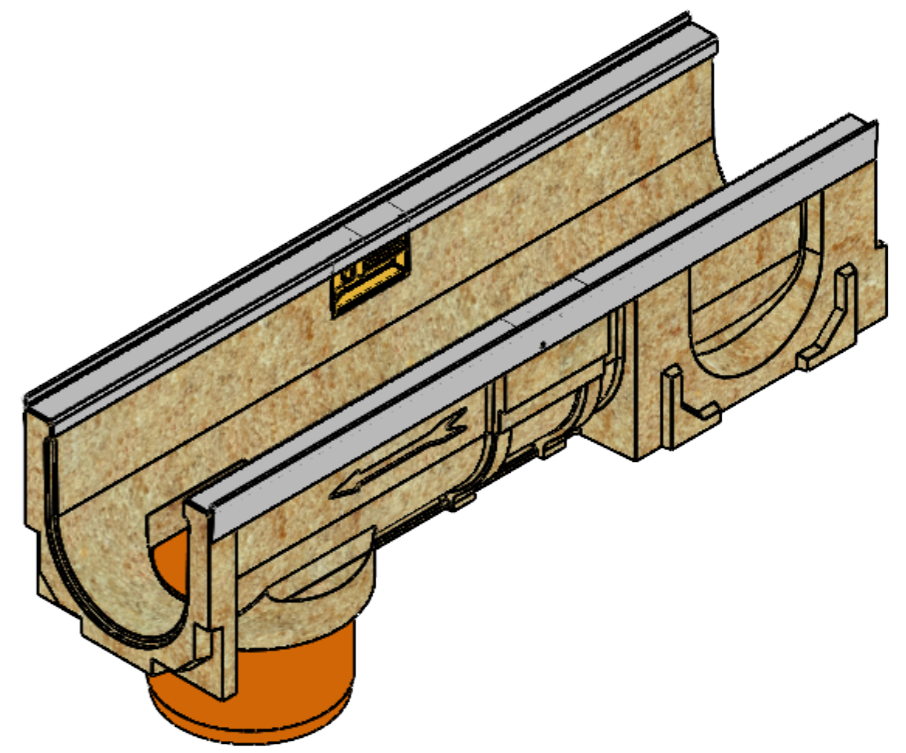
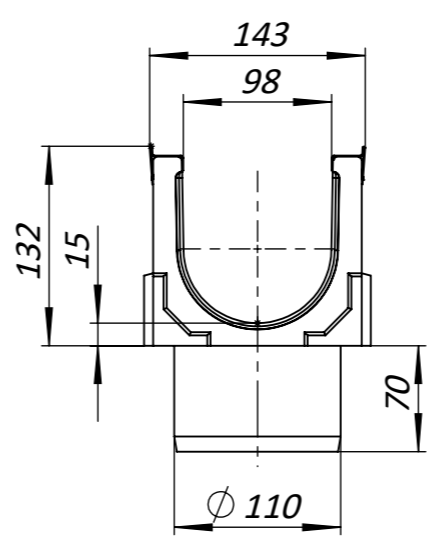
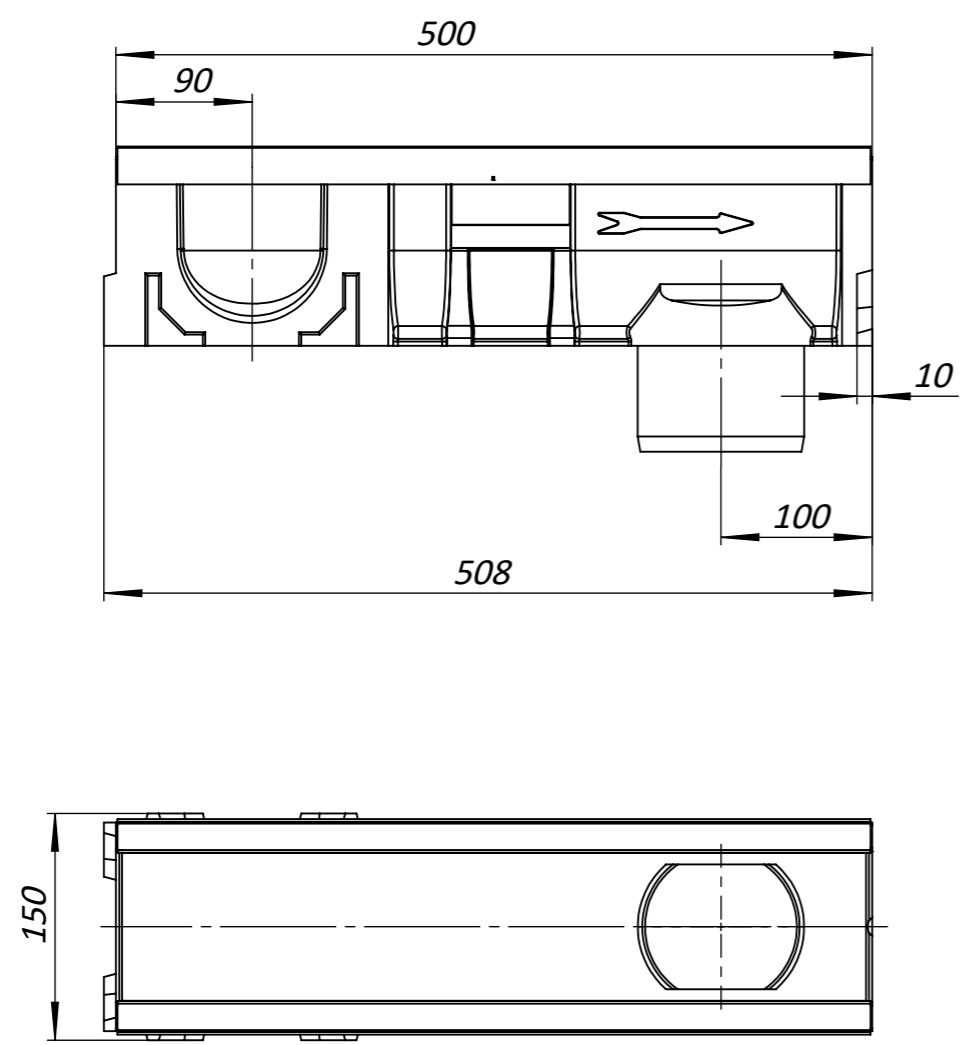


1. Dimensions for reference
2. Delivery and packaging are carried out in accordance with the terms of the contract
3. The manufacturer reserves the right, without notice to the consumer, to make changes to the design of the products for improvement of their technological and operational parameters, which will not affect the quality and properties of the product
4. Deviation of the actual weight of the nominal can be up to 10%.

UNLESS OTHERWISE SPECIFIED: DIMENSIONS ARE IN MILLIMETERS SURFACE FINISH: TOLERANCES: ISO 2768 - C LINEAR: ANGULAR:		FINISH:	DEBURR AND BREAK SHARP EDGES	DO NOT SCALE DRAWING	REVISION	A-01
DRAWN			Kozak	SIGNATURE	DATE	05.08.22
CHK'D			Kyselytsia			
APPV'D			Malynovskiy			
MFG						
Q.A			MATERIAL:		Polymer Concrete	
			WEIGHT: 5.00 kg		SCALE: 1:5	
TITLE:				Polymer Concrete Drain Channel Base DN100 H125 0.5m vertical outlet 110 C250		
ARTICLE:				700009.05/125		A3
				SHEET 1 OF 1		



1. *Dimensions for reference*
2. *Delivery and packaging are carried out in accordance with the terms of the contract*
3. *The manufacturer reserves the right, without notice to the consumer, to make changes to the design of the products for improvement of their technological and operational parameters, which will not affect the quality and properties of the product*
4. *Deviation of the actual weight of the nominal can be up to 10%.*

UNLESS OTHERWISE SPECIFIED: DIMENSIONS ARE IN MILLIMETERS SURFACE FINISH: TOLERANCES: ISO 2768 - C LINEAR: ANGULAR:		FINISH:	DEBURR AND BREAK SHARP EDGES		DO NOT SCALE DRAWING	REVISION	A-01
DRAWN				Kozak	SIGNATURE	DATE	05.08.22
CHK'D				Kyselytsia			
APPV'D				Malynovskiy			
MFG							
Q.A				MATERIAL:		Polymer Concrete, Steel	
				WEIGHT: 5.37 kg		SCALE: 1:5	
TITLE:						A3	
Polymer Concrete Drain Channel Base DN100 H125 0.5m vertical outlet 110 reinforced C250						ARTICLE:	
						70000907.05/125	
						SHEET 1 OF 1	