

8 7 6 5 4 3 2 1

F F

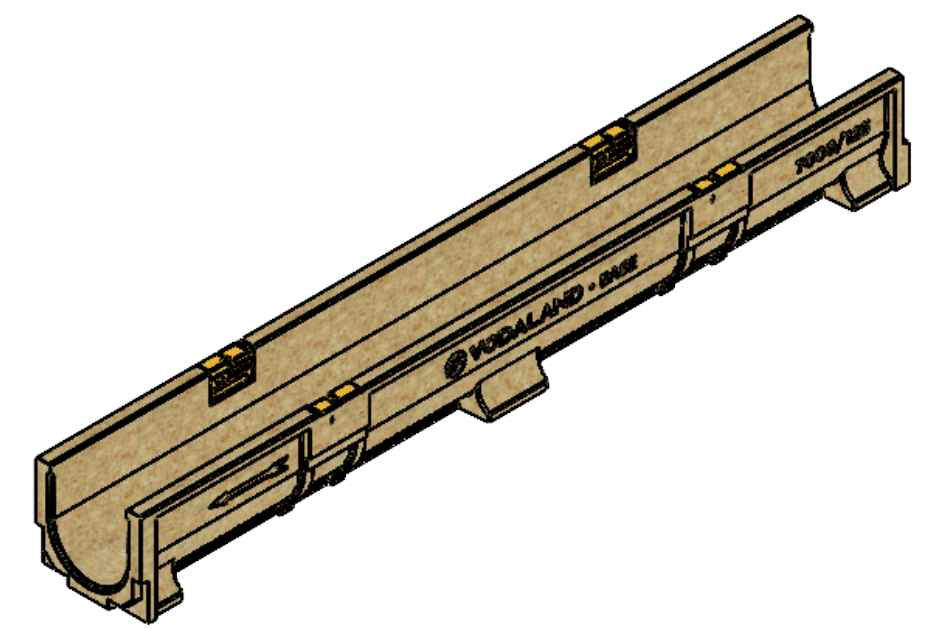
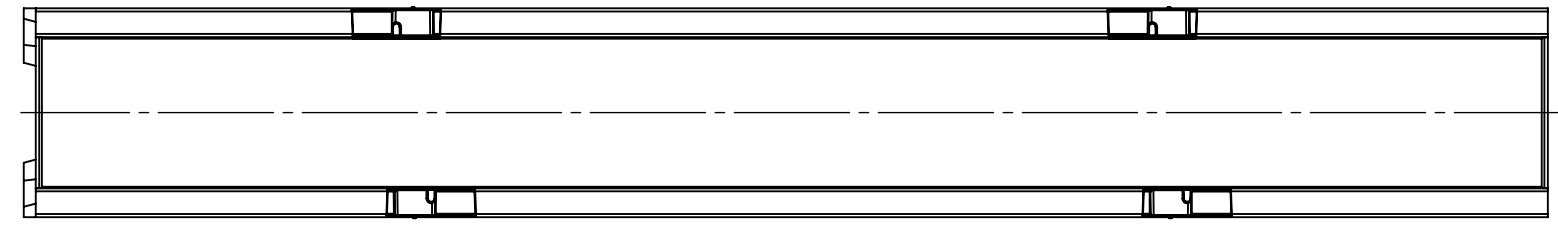
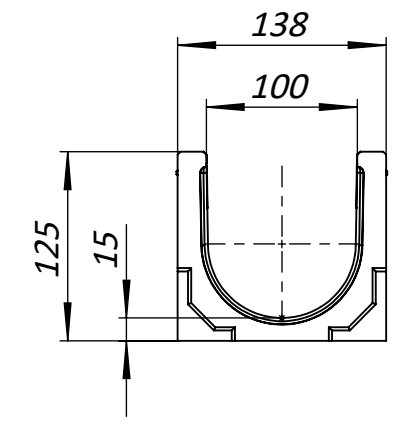
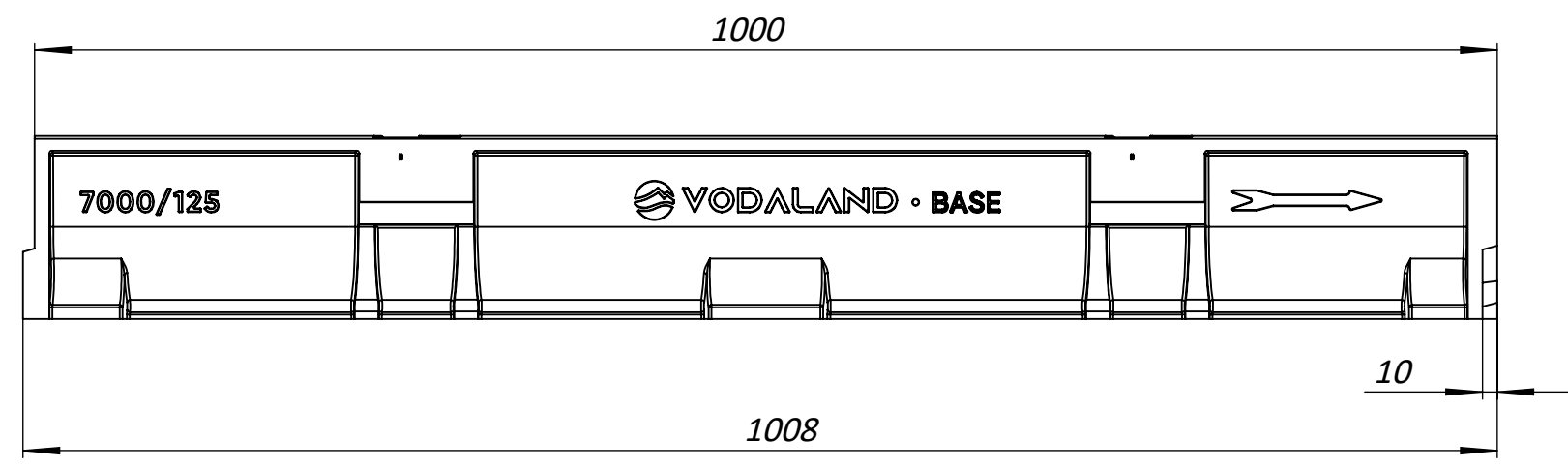
E E

D D

C C

B B

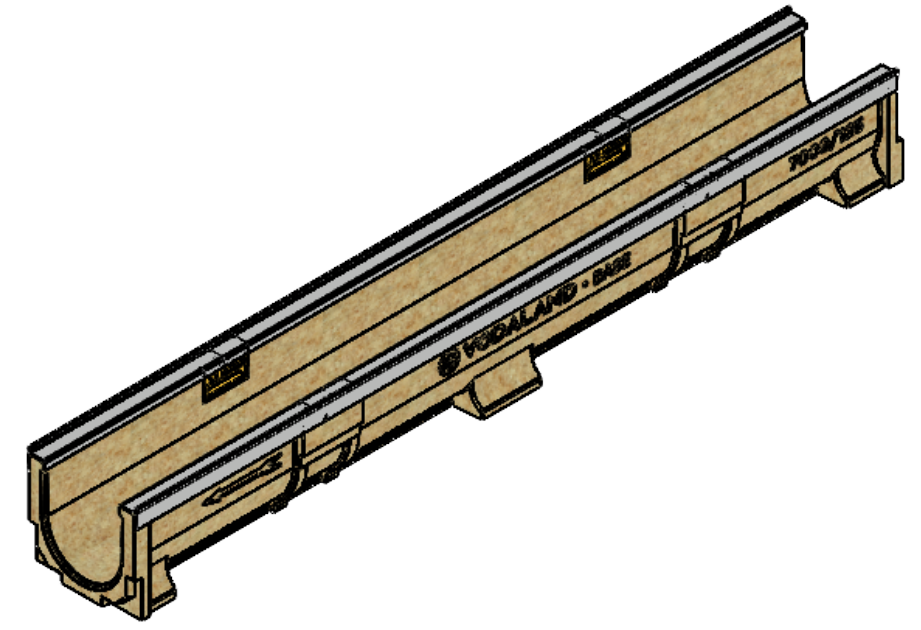
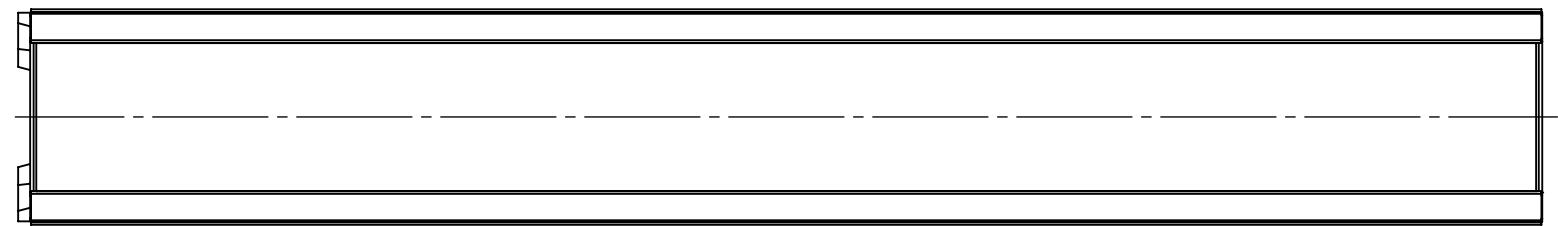
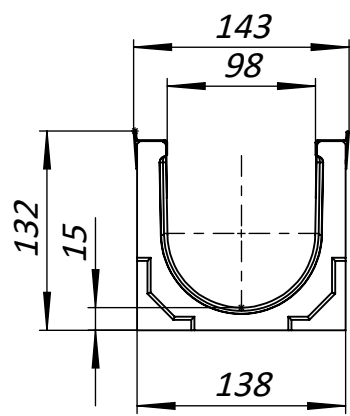
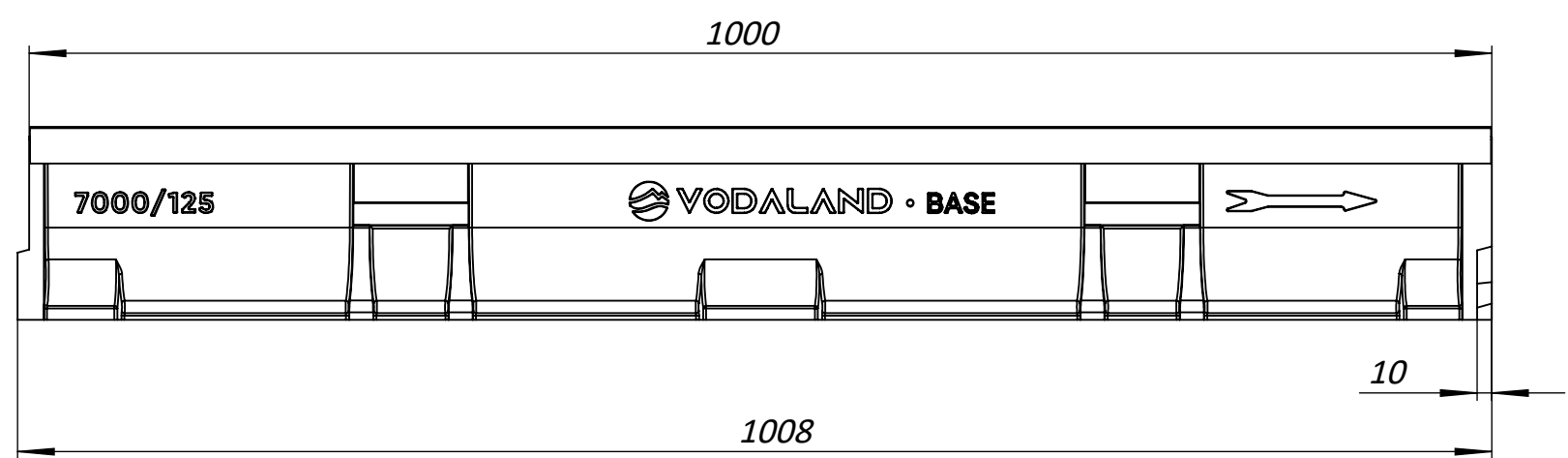
A A



1. Dimensions for reference
2. Delivery and packaging are carried out in accordance with the terms of the contract
3. The manufacturer reserves the right, without notice to the consumer, to make changes to the design of the products for improvement of their technological and operational parameters, which will not affect the quality and properties of the product
4. Deviation of the actual weight of the nominal can be up to 10%.

UNLESS OTHERWISE SPECIFIED: DIMENSIONS ARE IN MILLIMETERS SURFACE FINISH: TOLERANCES: ISO 2768 - C LINEAR: ANGULAR:		FINISH:		DEBURR AND BREAK SHARP EDGES		DO NOT SCALE DRAWING		REVISION	
DRAWN		NAME		SIGNATURE		DATE		TITLE:	
CHK'D		Kozak				07.07.22		Polymer Concrete Drain Channel Base DN100 H125 C250	
APPV'D		Kyselytsia						ARTICLE:	
MFG		I. Malynovskiy						7000/125	
Q.A								A3	
						MATERIAL: Polymer Concrete		SCALE:1:5	
						WEIGHT: 8.07 kg		SHEET 1 OF 1	

8 7 6 5 4 3 2 1



1. Dimensions for reference
2. Delivery and packaging are carried out in accordance with the terms of the contract
3. The manufacturer reserves the right, without notice to the consumer, to make changes to the design of the products for improvement of their technological and operational parameters, which will not affect the quality and properties of the product
4. Deviation of the actual weight of the nominal can be up to 10%.

UNLESS OTHERWISE SPECIFIED: DIMENSIONS ARE IN MILLIMETERS SURFACE FINISH: TOLERANCES: ISO 2768 - C LINEAR: ANGULAR:		FINISH:		DEBURR AND BREAK SHARP EDGES		DO NOT SCALE DRAWING		REVISION	
DRAWN		Kozak		SIGNATURE		DATE		07.07.22	
CHK'D		Kyselytsia		SIGNATURE		DATE			
APPV'D		I. Malynovskiy		SIGNATURE		DATE			
MFG				SIGNATURE		DATE			
Q.A				SIGNATURE		DATE			
				MATERIAL:		Polymer Concrete, Steel		ARTICLE:	
				WEIGHT: 8.82 kg		SCALE: 1:5		SHEET 1 OF 1	
								TITLE: Polymer Concrete Drain Channel Base DN100 H125 reinforced C250	
								ARTICLE: 700007/125	
								A3	

