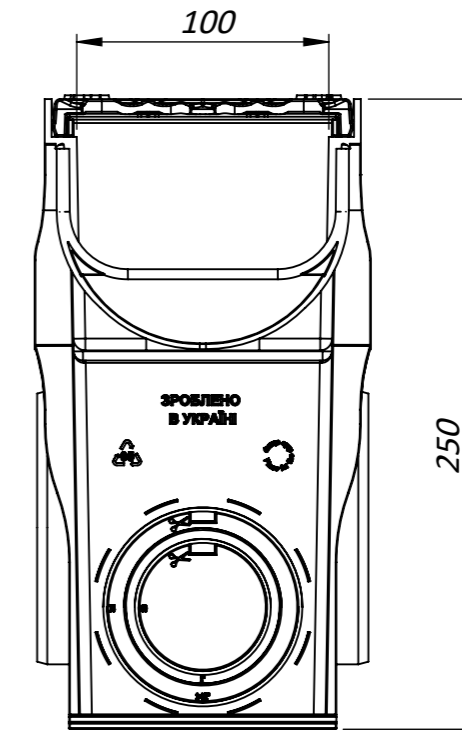
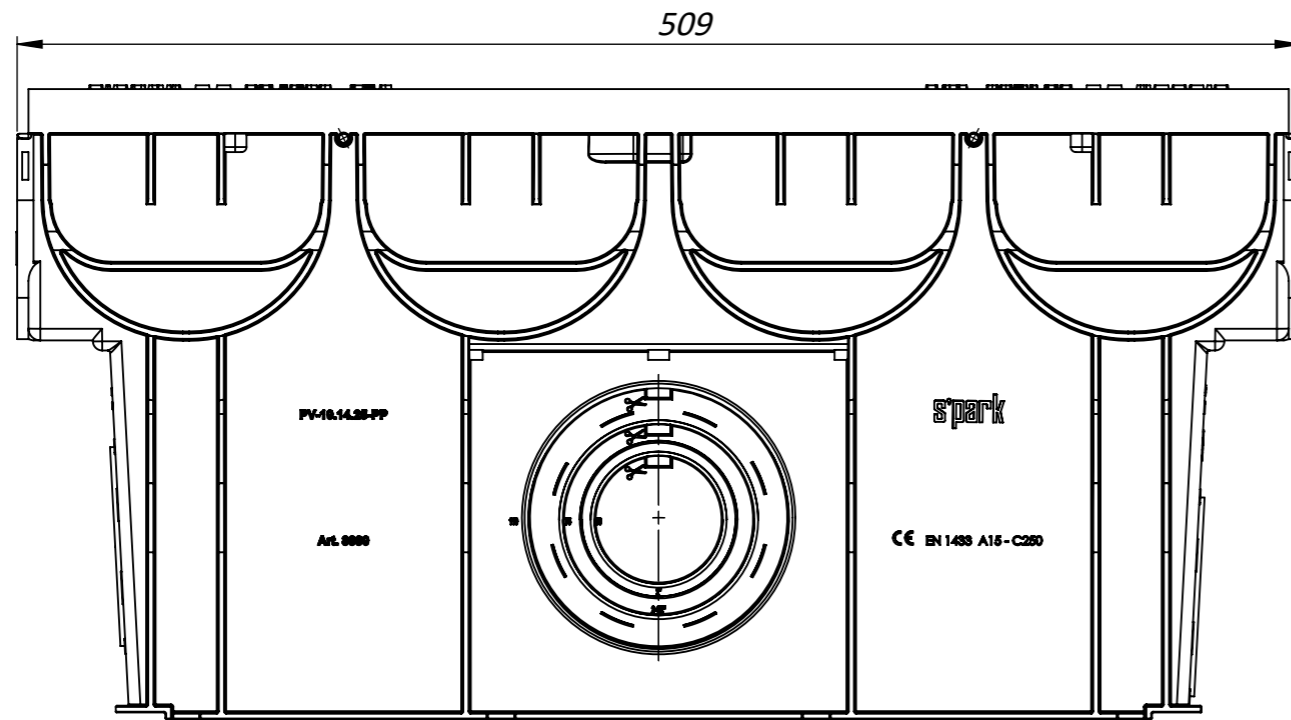


PV-10.14.25-PP 0888031

Primary Usage

Reference No.



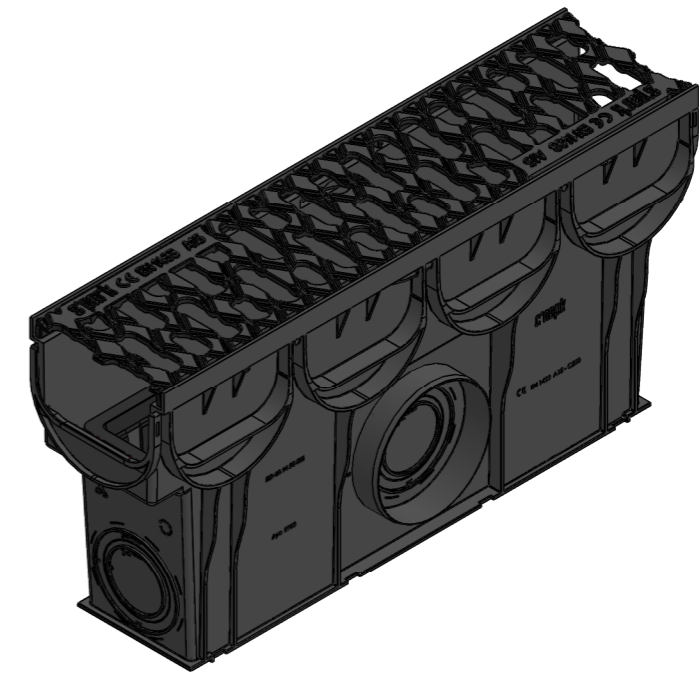
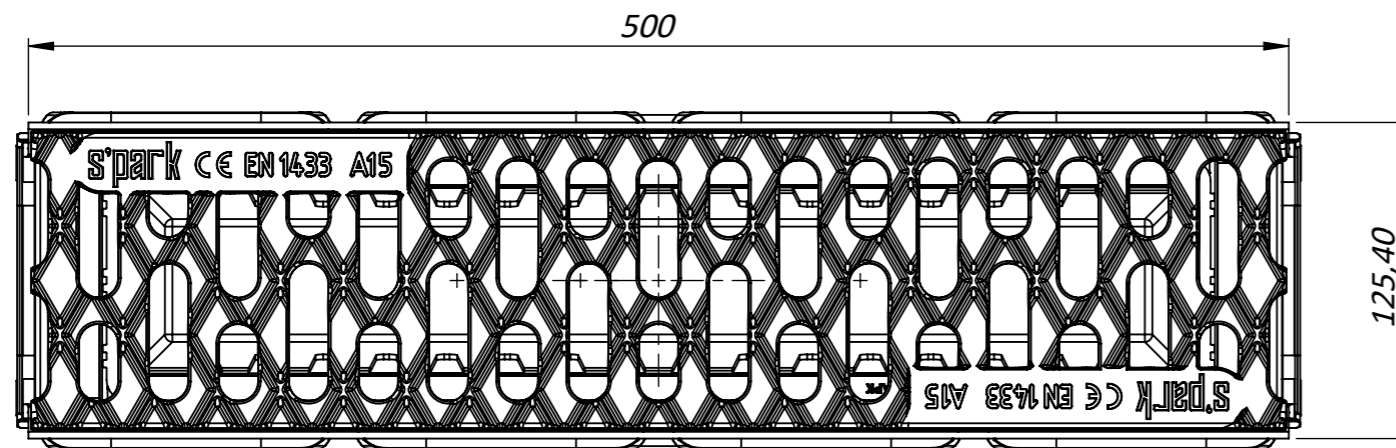
Sign. and date

Copy inv. No.

Repl. Inv. No.

Sign. and date

Orig. Inv. No.



1. Deviation of the actual weight of the nominal can be up to 12%

					Art.	0888031
					<b>PV-10.14.25-PP 0888031</b>	
					Let.	Weight
						Scale
Rev.	Sheet	Doc. No.	Sign.	Data	Sand Trap with Cast Iron Grating	
				26.06.19		2,95
						1:3
					Sheet	Sheets 1
					Plastic	
					