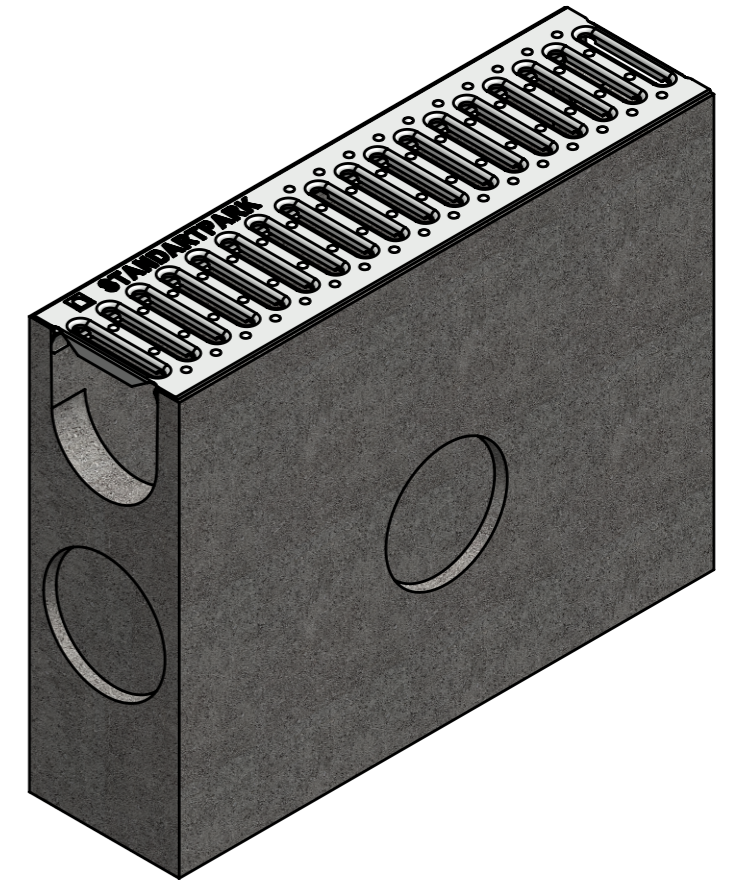
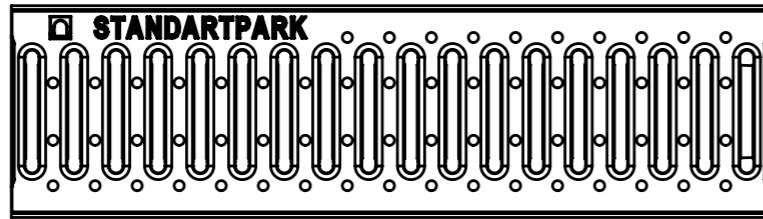
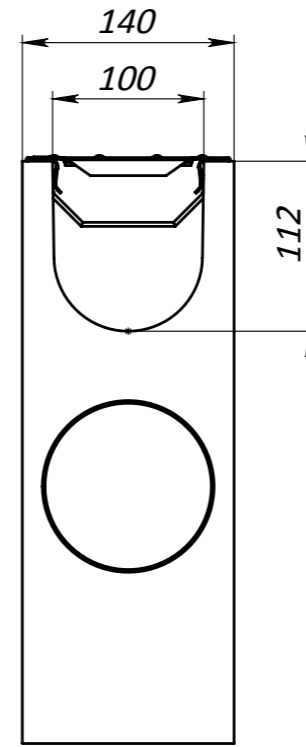
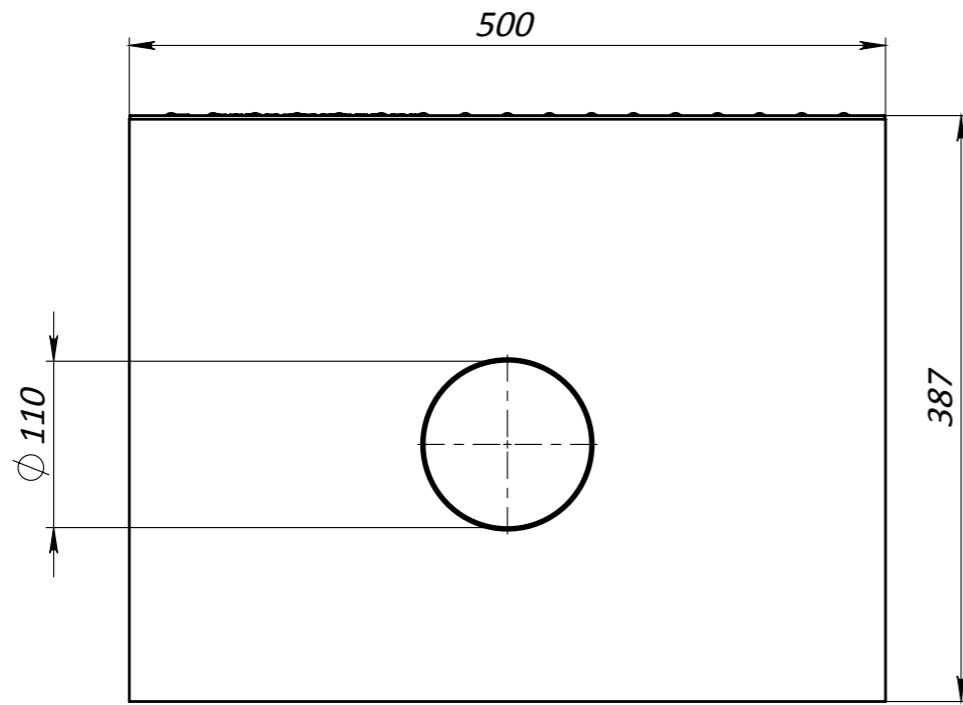


PU-10.14.39-B 4080+2015



Deviation of the actual weight of the nominal can be up to 12%

Primary Usage
Reference No.
Sign. and date
Copy inv. No.
Repl. Inv. No.
Sign. and date
Orig. Inv. No.

					Art.	4080		
					<b>PU-10.14.39-B 4080+2015</b>			
Rev.	Sheet	Doc. No.	Sign.	Data	Concrete Sand Trap with steel RV <b>Load Class A</b>	Let.	Weight	Scale
				25.07.18			29.19	1:5
					Concrete, Steel		Sheet	Sheets 1