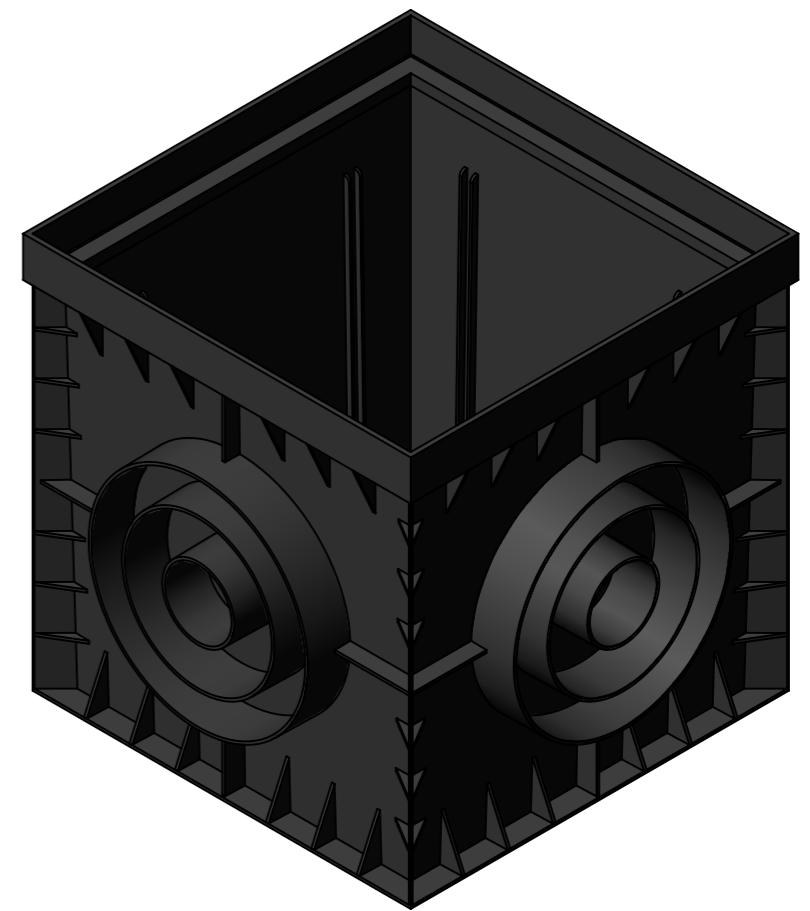
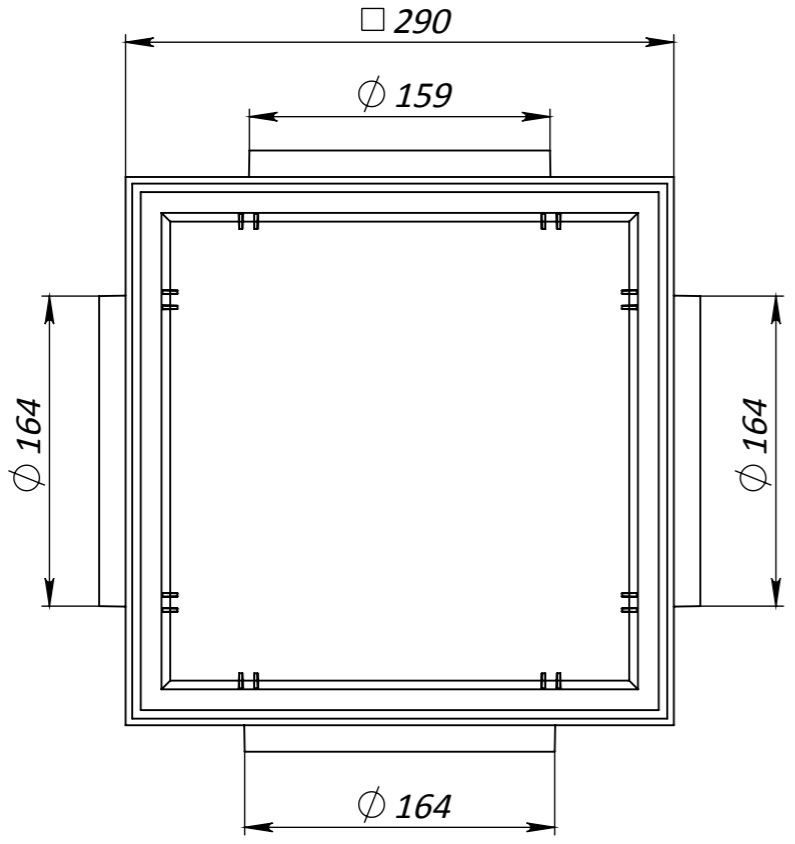
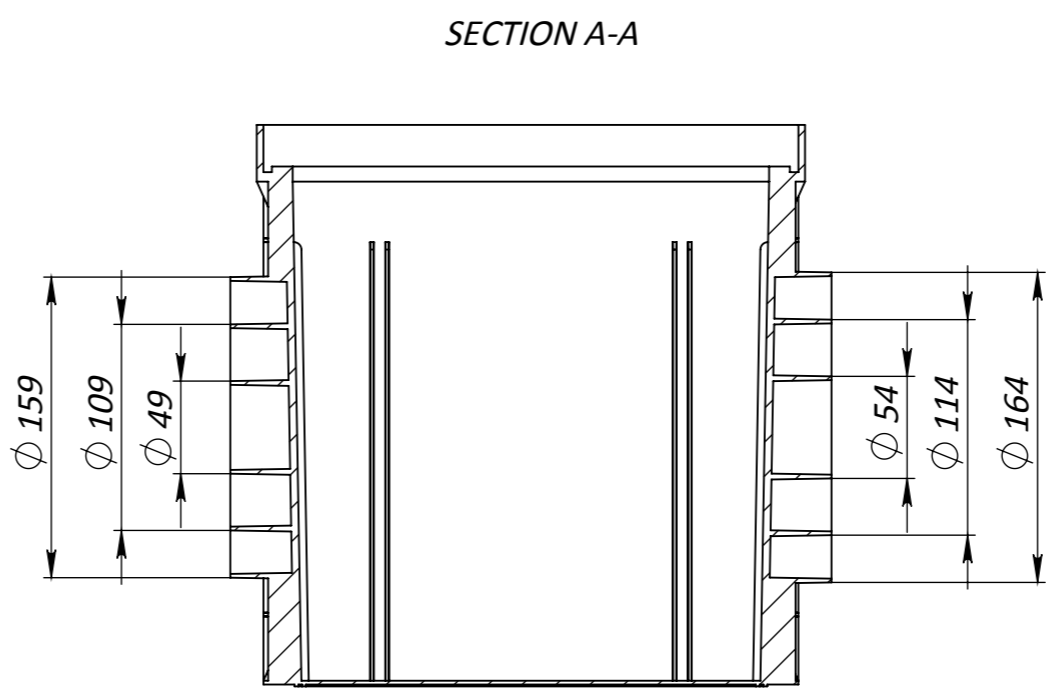
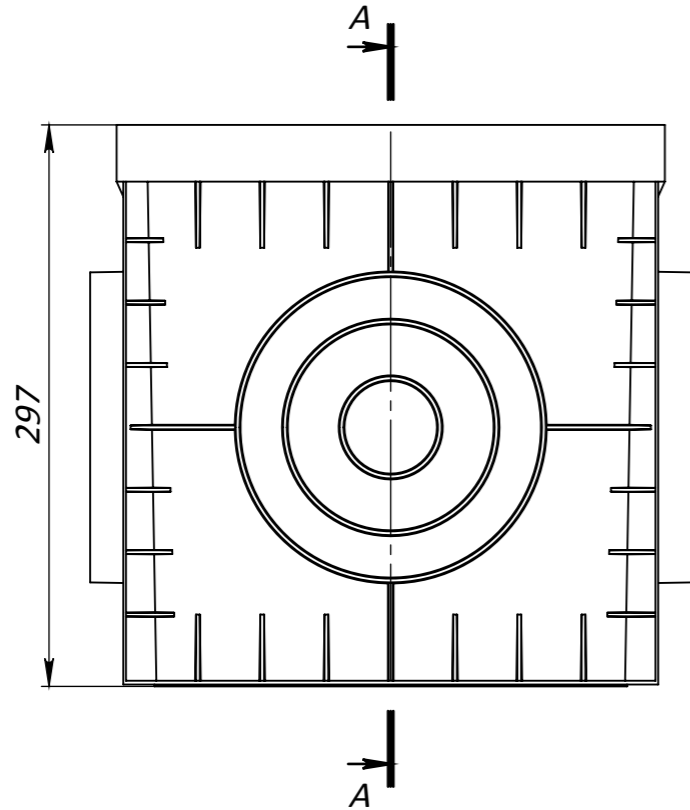


Primary Usage	Reference No.	Sign. and date	Copy inv. No.	Repl. Inv. No.	Sign. and date	Orig. Inv. No.
---------------	---------------	----------------	---------------	----------------	----------------	----------------

DP-30.30.30-PP 8370-CH



					Art.	8370-CH				
					DP-30.30.30-PP 8370-CH					
					Plastic Catch Basin			Let.	Weight	Scale
									1.8	1:4
								Sheet	Sheets 1	
					Plastic			