

TV-15.15.05-OS-V 1291510-9

Primary Usage

Reference No.

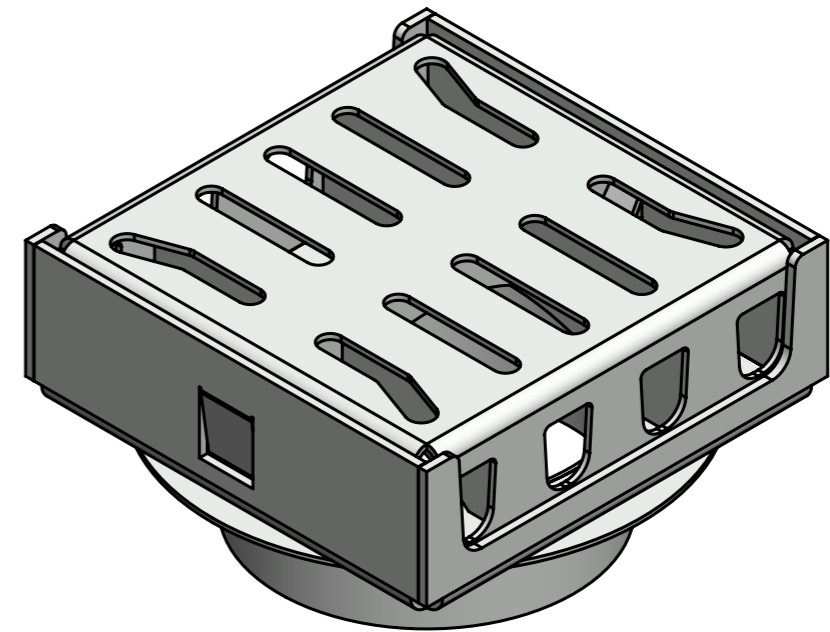
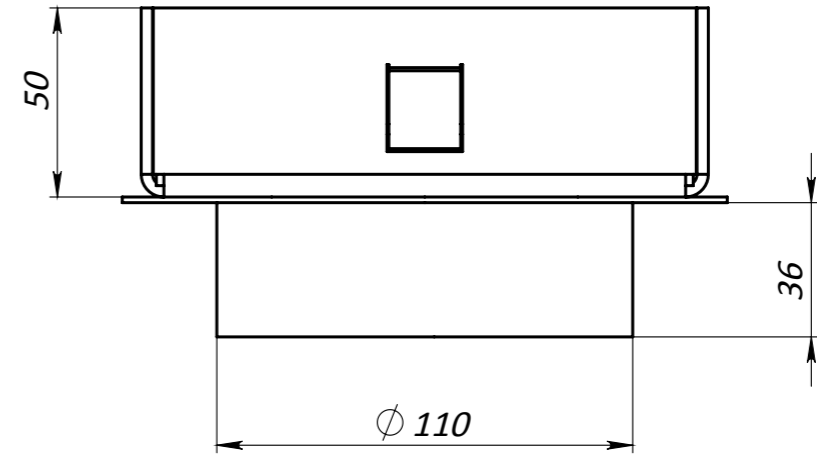
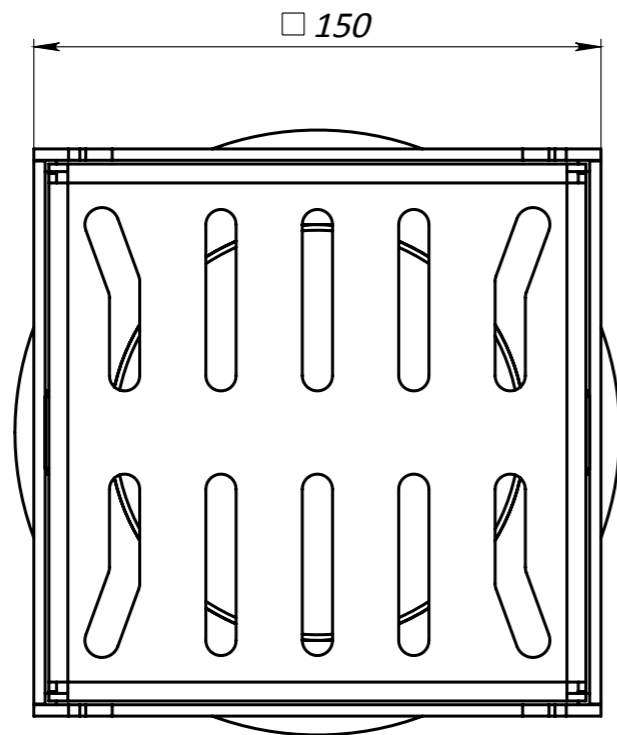
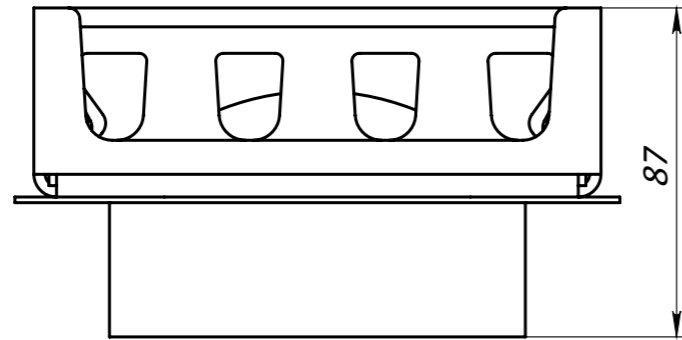
Sign. and date

Copy inv. No.

Repl. Inv. No.

Sign. and date

Orig. Inv. No.



Deviation of the actual weight of the nominal can be up to 10%

					Art. 1291510-9			
					TV-15.15.05-OS-V 1291510-9			
					Let.		Weight	Scale
							1.89	1:2
					Sheet		Sheets 1	
					Steel		