

DP-30.30.30-PP 8370-CH

Primary Usage

Reference No.

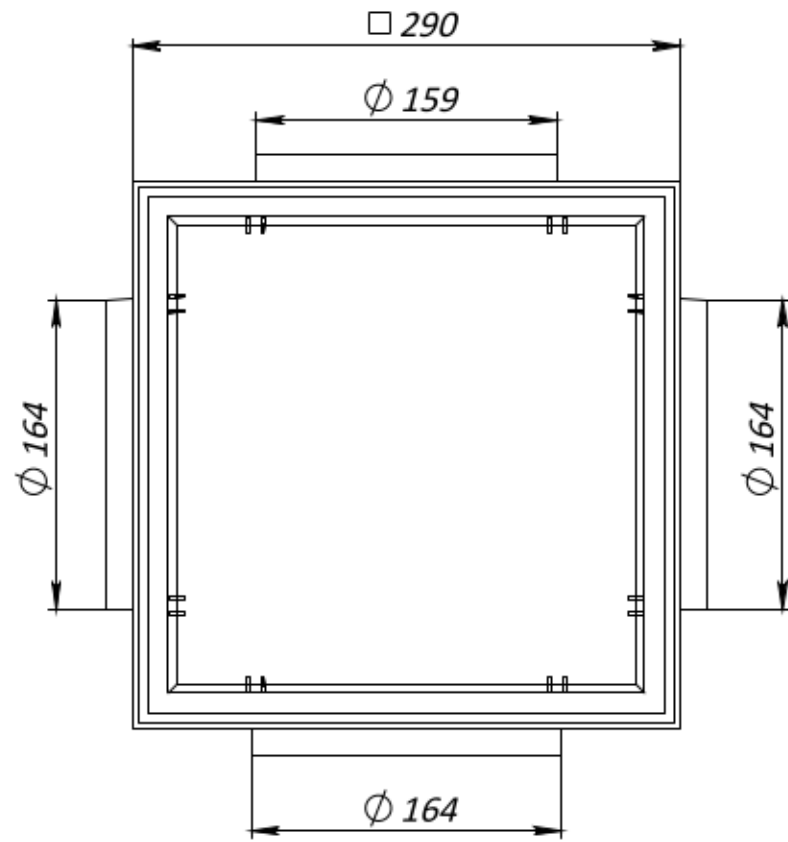
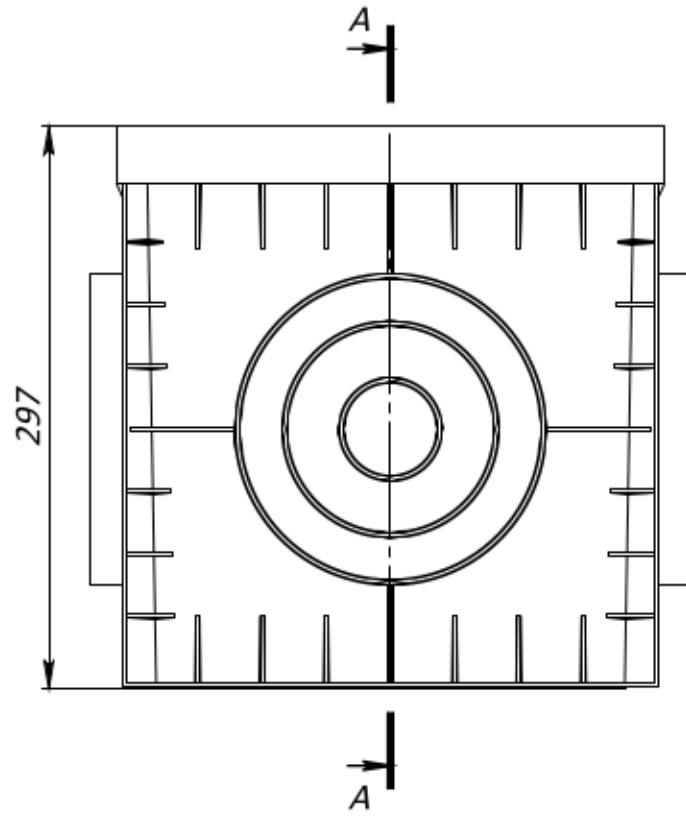
Sign. and date

Copy inv. No.

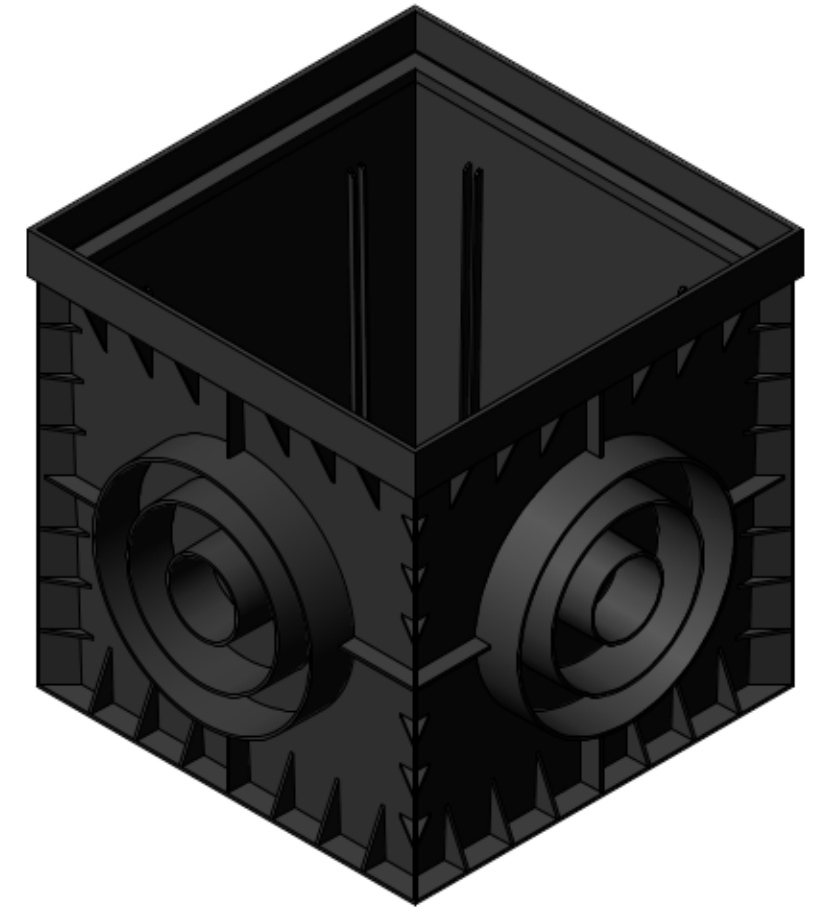
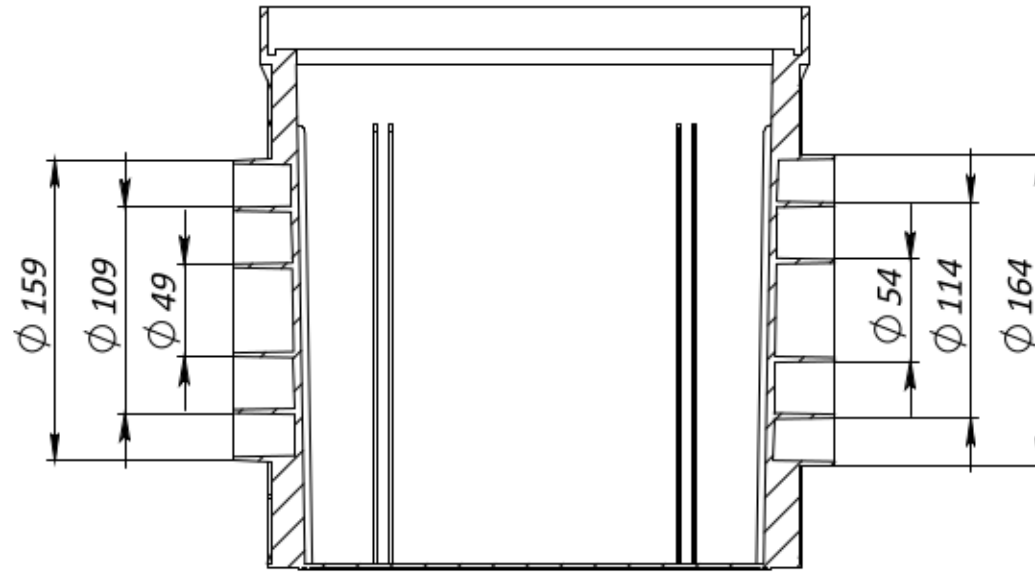
Repl. Inv. No.

Sign. and date

Orig. Inv. No.



SECTION A-A



				Art.	8370-CH	
				DP-30.30.30-PP 8370-CH		
				Plastic Catch Basin		
				Let.	Weight	Scale
					1.8	1:4
				Sheet	Sheets 1	
				Plastic		