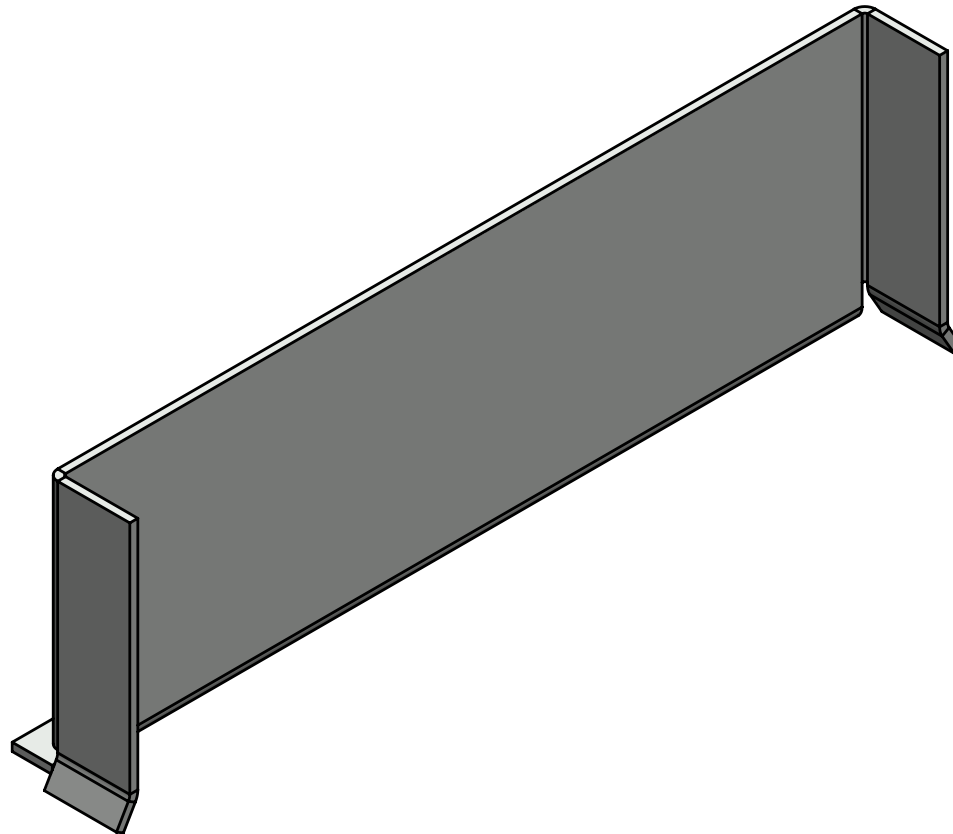
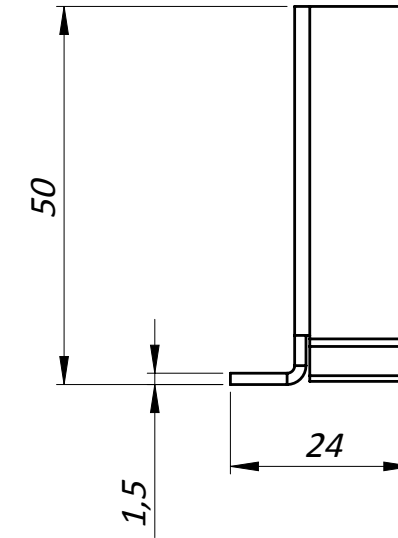
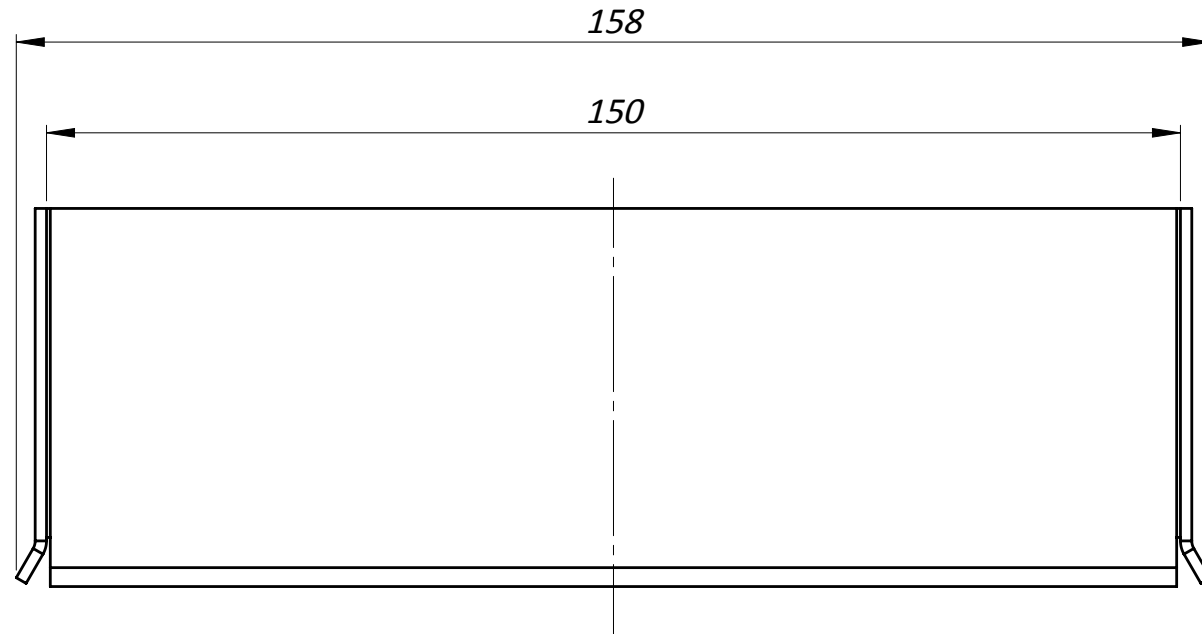



ZLV-15.05-P-OS 6121-1



Deviation of the actual weight of the nominal can be up to 10%

					Art.	6121-1		
					<b>ZLV-15.05-P-OS 6121-1</b>			
Rev.	Sheet	Doc. No.	Sign.	Data	Steel End Cap	Let.	Weight	Scale
				25.07.18			0.1	1:1
					Sheet		Sheets 1	
					Steel			

Primary Usage

Reference No.

Sign. and date

Copy inv. No.

Repl. Inv. No.

Sign. and date

Orig. Inv. No.