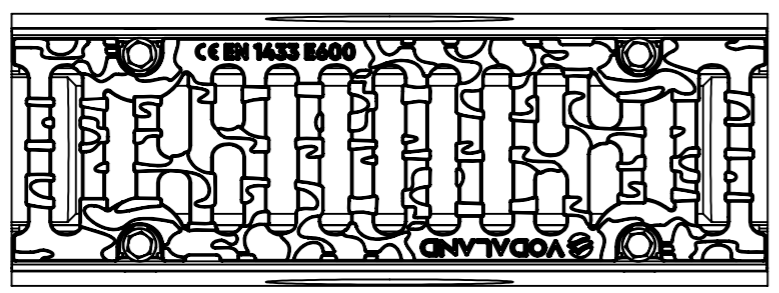
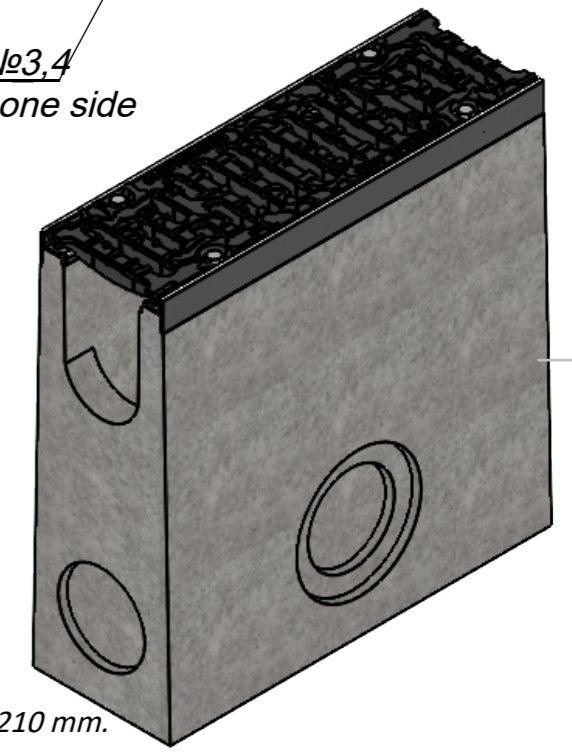
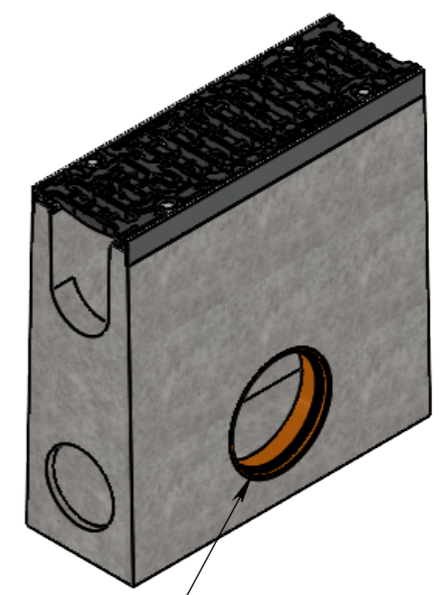
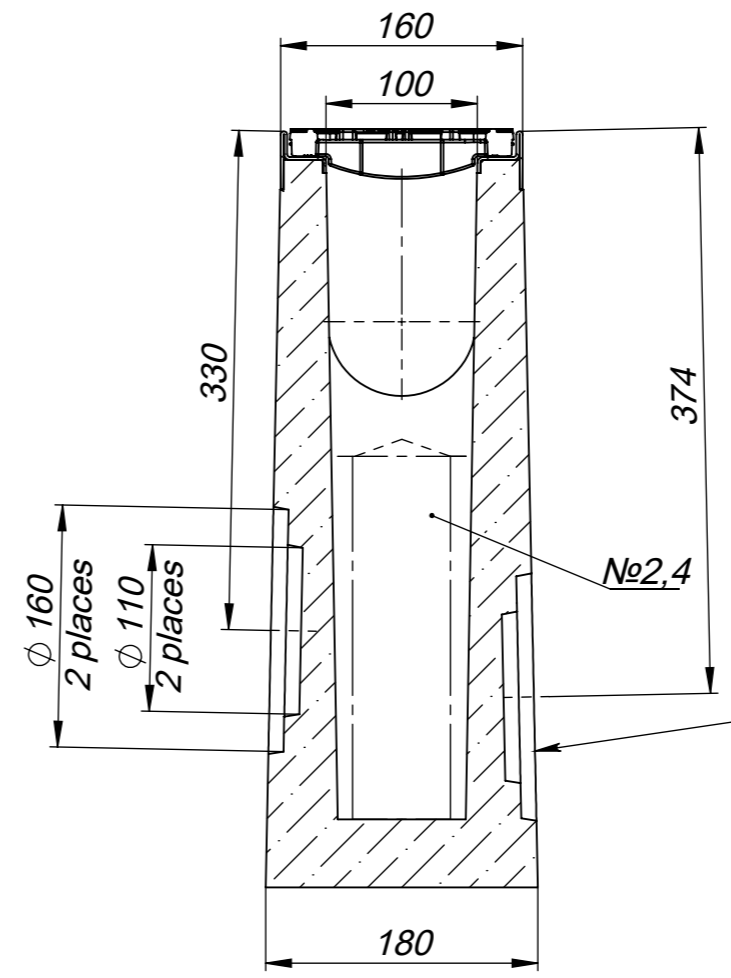
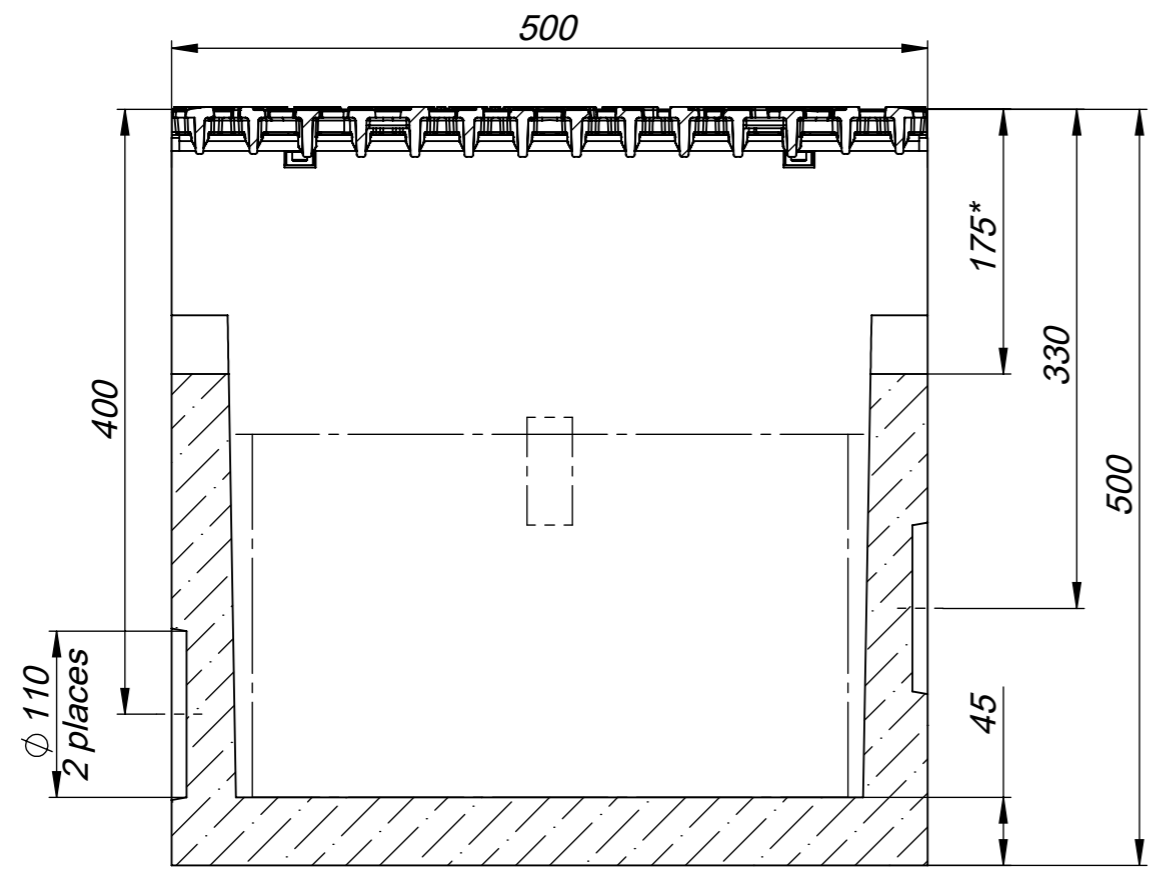



8 7 6 5 4 3 2 1

F  
E  
D  
C  
B  
A



1. \* Template for connecting a channel with a height of 210 mm.
2. Dimensions for reference
3. Delivery and packaging are carried out in accordance with the terms of the contract
4. The manufacturer reserves the right, without notice to the consumer, to make changes to the design of the products for improvement of their technological and operational parameters, which will not affect the quality and properties of the product
5. Deviation of the actual weight of the nominal can be up to 10%.

No	Article	Name	Weight, kg
1	04087155	Concrete Sand Trap Pro DN100 H500 with Cast Iron Grate E600	60,0
2	04087155-K	Concrete Sand Trap Pro DN100 H500 with basket with Cast Iron Grate E600	60,6
3	04087155-P160	Concrete Sand Trap Pro DN100 H500 outlet 160 with Cast Iron Grate E600	58,2
4	04087155-P160-K	Concrete Sand Trap Pro DN100 H500 with basket outlet 160 with Cast Iron Grate E600	59,0

UNLESS OTHERWISE SPECIFIED: DIMENSIONS ARE IN MILLIMETERS SURFACE FINISH: TOLERANCES: ISO 2768 - C LINEAR: ANGULAR:		FINISH:	DEBURR AND BREAK SHARP EDGES	DO NOT SCALE DRAWING	REVISION
DRAWN: Kyselytsia		SIGNATURE:	DATE: 13.09.22	 <b>TITLE:</b> Concrete Sand Trap Pro DN100 H500 with Cast Iron Grate E600	
CHK'D: Kharambura					
APPV'D: Malynovskiy					
MFG:					
Q.A:					
		MATERIAL: Concrete, Cast Iron		ARTICLE: 04087155 04087155-K 04087155-P160 04087155-P160-K	
		WEIGHT: kg		SCALE: 1:5	
				SHEET 1 OF 1	

8 7 6 5 4 3 2 1