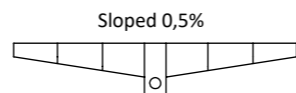
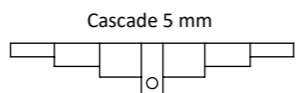
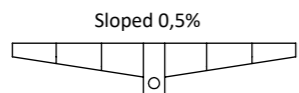
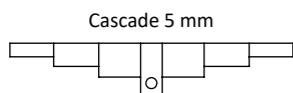


Channel with slotted Grate E600

Channel with slotted Grate E600 and vertical outlet 110

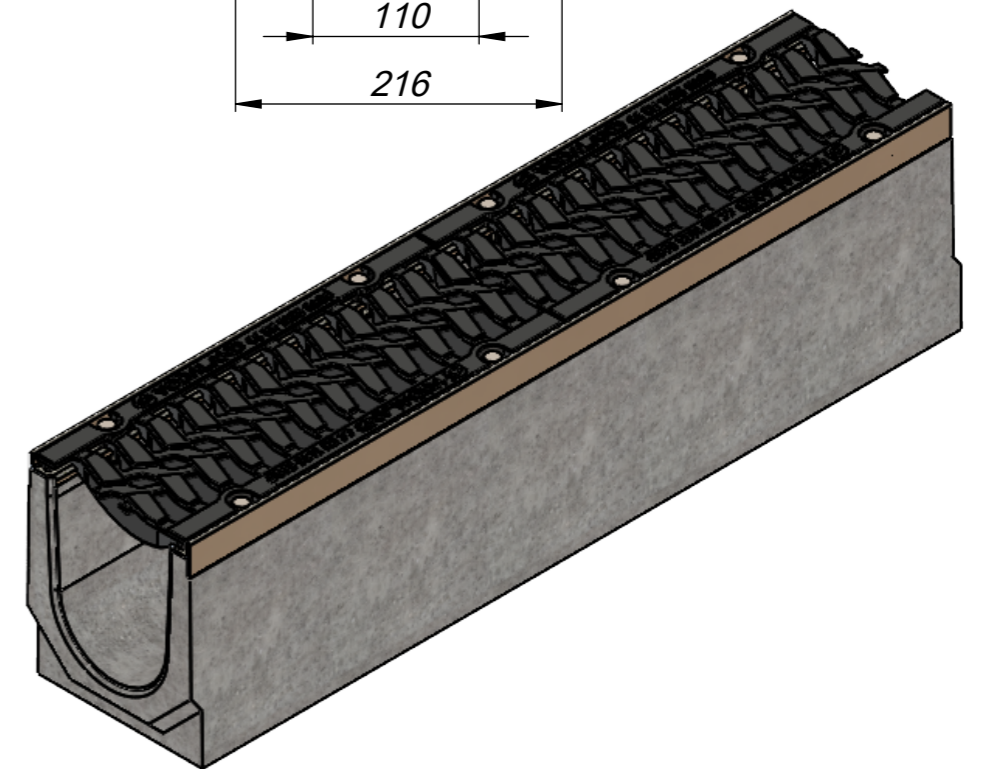


Article	H/h, mm	Weight kg
04207155/310	310	87,5
04207155/305	305	86,8
04207155/300	300	86,1
04207155/295	295	85,4
04207155/290	290	84,7
04207155/285	285	84
04207155/280	280	83,3
04207155/275	275	82,6
04207155/270	270	81,9
04207155/265	265	81,2
04207155/260	260	80,5
04207155/255	255	79,8
04207155/250	250	79,2
04207155/245	245	78,5
04207155/240	240	77,8
04207155/235	235	77,1
04207155/230	230	76,4
04207155/225	225	75,7
04207155/220	220	75
04207155/215	215	74,3
04207155/210	210	73,6
04207155/205	205	72,9
04207155/200	200	72,2
04207155/195	195	71,6
04207155/190	190	70,9
04207155/185	185	70,2
04207155/180	180	69,5
04207155/175	175	68,8
04207155/170	170	68,1
04207155/165	165	67,4
04207155/160	160	66,8
04207155/155	155	66

Article	H/h, mm	Weight kg
04207155/310-305	310/305	87,1
04207155/305-300	305/300	86,4
04207155/300-295	300/295	85,7
04207155/295-290	295/290	85,0
04207155/290-285	290/285	84,3
04207155/285-280	285/280	83,6
04207155/280-275	280/275	82,9
04207155/275-270	275/270	82,3
04207155/270-265	270/265	81,6
04207155/265-260	265/260	80,9
04207155/260-255	260/255	80,2
04207155/255-250	255/250	79,5
04207155/250-245	250/245	78,8
04207155/245-240	245/240	78,1
04207155/240-235	240/235	77,4
04207155/235-230	235/230	76,7
04207155/230-225	230/225	76,0
04207155/225-220	225/220	75,4
04207155/220-215	220/215	74,7
04207155/215-210	215/210	74,0
04207155/210-205	210/205	73,3
04207155/205-200	205/200	72,6
04207155/200-195	200/195	71,9
04207155/195-190	195/190	71,2
04207155/190-185	190/185	70,5
04207155/185-180	185/180	69,8
04207155/180-175	180/175	69,1
04207155/175-170	175/170	68,5
04207155/170-165	170/165	67,8
04207155/165-160	165/160	67,1
04207155/160-155	160/155	66,4
04207155/155-150	155/150	65,7

Article	H/h, mm	Weight kg
0420715509/310	310	86,3
0420715509/305	305	85,6
0420715509/300	300	84,9
0420715509/295	295	84,2
0420715509/290	290	83,5
0420715509/285	285	82,8
0420715509/280	280	82,1
0420715509/275	275	81,4
0420715509/270	270	80,8
0420715509/265	265	80,1
0420715509/260	260	79,4
0420715509/255	255	78,7
0420715509/250	250	78,0
0420715509/245	245	77,3
0420715509/240	240	76,6
0420715509/235	235	75,9
0420715509/230	230	75,2
0420715509/225	225	74,5
0420715509/220	220	73,9
0420715509/215	215	73,2
0420715509/210	210	72,5
0420715509/205	205	71,8
0420715509/200	200	71,1
0420715509/195	195	70,4
0420715509/190	190	69,7
0420715509/185	185	69,0
0420715509/180	180	68,3
0420715509/175	175	67,6
0420715509/170	170	67,0
0420715509/165	165	66,3
0420715509/160	160	65,6
0420715509/155	155	64,9

Article	H/h, mm	Weight kg
0420715509/310-305	310/305	85,9
0420715509/305-300	305/300	85,2
0420715509/300-295	300/295	84,5
0420715509/295-290	295/290	83,8
0420715509/290-285	290/285	83,1
0420715509/285-280	285/280	82,4
0420715509/280-275	280/275	81,8
0420715509/275-270	275/270	81,1
0420715509/270-265	270/265	80,4
0420715509/265-260	265/260	79,7
0420715509/260-255	260/255	79,0
0420715509/255-250	255/250	78,3
0420715509/250-245	250/245	77,6
0420715509/245-240	245/240	76,9
0420715509/240-235	240/235	76,2
0420715509/235-230	235/230	75,5
0420715509/230-225	230/225	74,9
0420715509/225-220	225/220	74,2
0420715509/220-215	220/215	73,5
0420715509/215-210	215/210	72,8
0420715509/210-205	210/205	72,1
0420715509/205-200	205/200	71,4
0420715509/200-195	200/195	70,7
0420715509/195-190	195/190	70,0
0420715509/190-185	190/185	69,3
0420715509/185-180	185/180	68,6
0420715509/180-175	180/175	68,0
0420715509/175-170	175/170	67,3
0420715509/170-165	170/165	66,6
0420715509/165-160	165/160	65,9
0420715509/160-155	160/155	65,2
0420715509/155-150	155/150	64,5



1. Dimensions for reference
2. Delivery and packaging are carried out in accordance with the terms of the contract
3. The manufacturer reserves the right, without notice to the consumer, to make changes to the design of the products for improvement of their technological and operational parameters, which will not affect the quality and properties of the product
4. Deviation of the actual weight of the nominal can be up to 10%.

UNLESS OTHERWISE SPECIFIED: DIMENSIONS ARE IN MILLIMETERS SURFACE FINISH: TOLERANCES: ISO 2768 - C LINEAR: ANGULAR:		FINISH:	DEBURR AND BREAK SHARP EDGES	DO NOT SCALE DRAWING	REVISION
DRAWN: Kyselytsia			SIGNATURE:	TITLE: <b>Concrete Drain Channel Pro DN150 H155-310 with Cast Iron Grate E600</b>	
CHK'D: Kharambura			DATE: 07.07.22	ARTICLE:	
APPV'D: Malynovskiy			MATERIAL: Concrete, Cast Iron	A3	
MFG:			WEIGHT: kg	SCALE: 1:5	
QA:			SHEET 1 OF 1		