

6

5

4

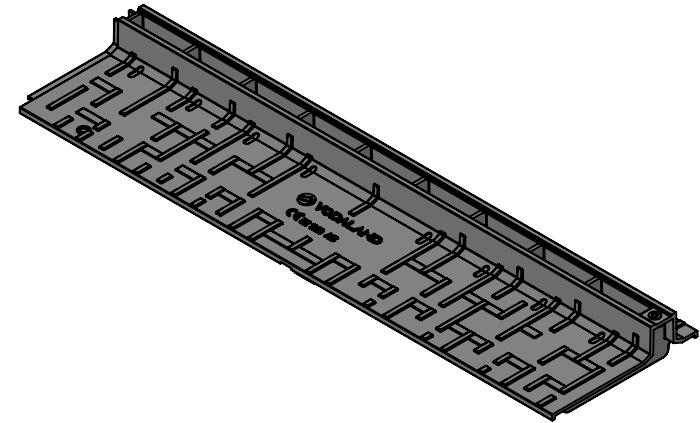
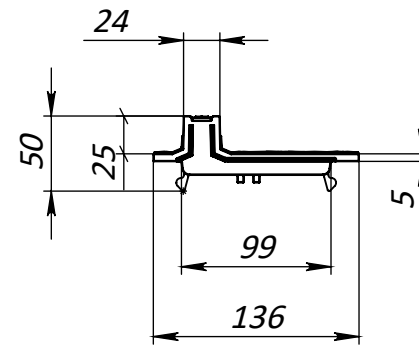
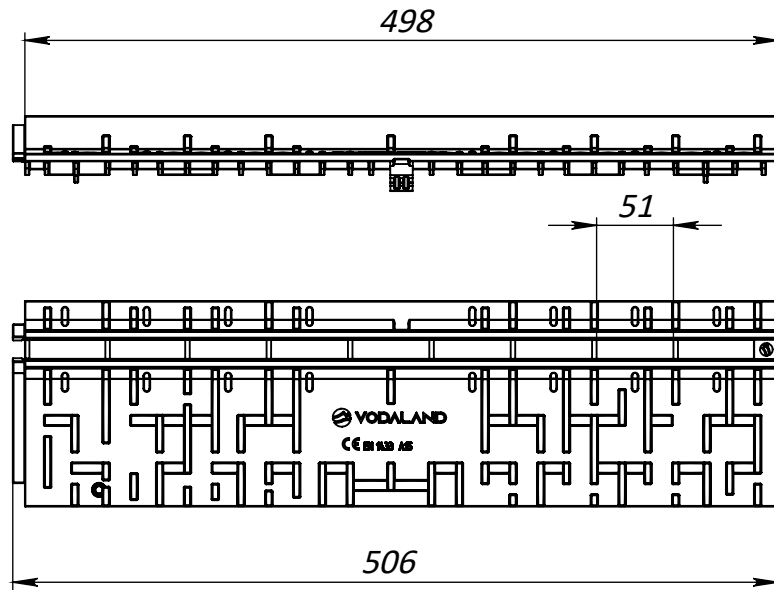
3

2

1

D

D




C

B

B

1. Area of water intake slots 56.47 sq cm;
2. Deviation of the actual weight of the nominal can be up to 8%

UNLESS OTHERWISE SPECIFIED: DIMENSIONS ARE IN MILLIMETERS SURFACE FINISH: TOLERANCES: ISO 2768-c LINEAR: ANGULAR:				FINISH:		DO NOT SCALE DRAWING		REVISION	
									
						TITLE: Plastic slot drain L-type H25 for channel Base DN100 A15 Load class: A15			
						Article: 2087-L-25		A4	
				MATERIAL: Plastic		SCALE:1:5		SHEET 1 OF 1	
				WEIGHT: 0.40 kg					
		NAME		SIGNATURE		DATE			
DRAWN		LMV				09.06.22			
CHK'D		LMK							
APPV'D									
MFG									
Q.A									

A

6

5

4

3

2

1

A