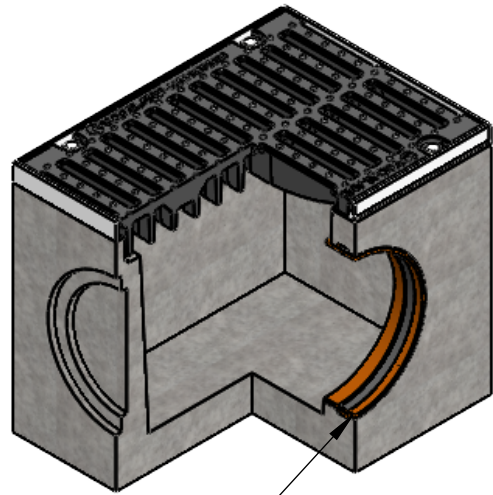
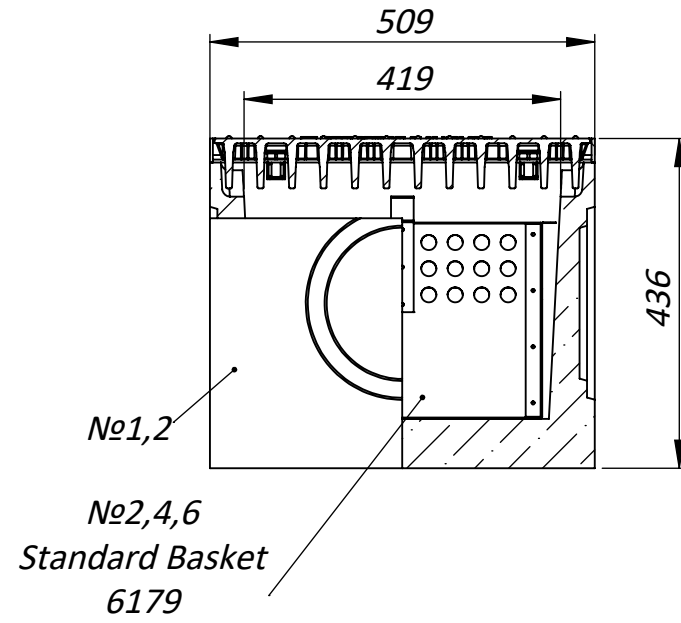


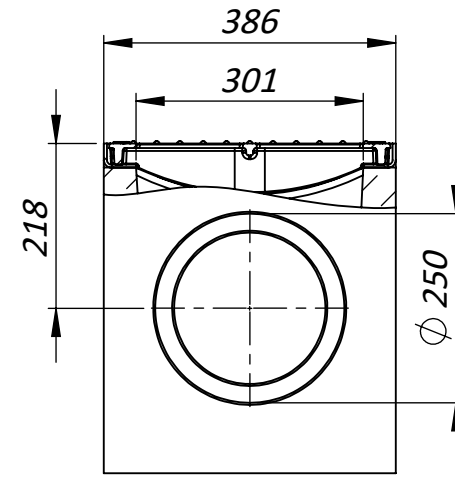
No5,6



No3,4

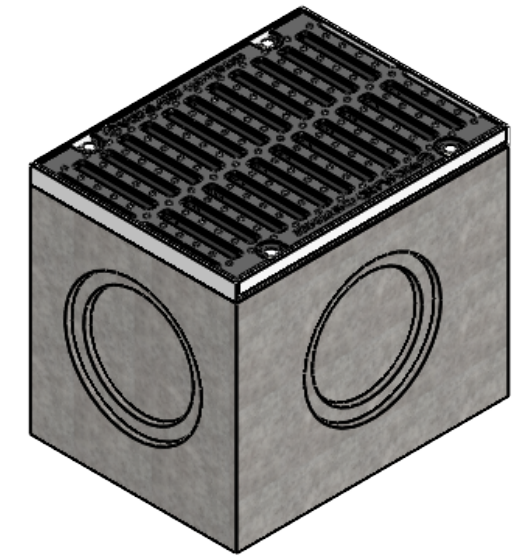


No1,2
No2,4,6
Standard Basket
6179



No1,2
No2,4,6
Shallow Basket
6179.2

Shallow Basket can be used in case of side connection of drain channel with internal depth of less than 200mm



No	Article	Name	Weight, kg
1	04770	Concrete Catch Basin Mega 510x385 H440 with Cast Iron Grate E600	112.8
2	04770-K	Concrete Catch Basin Mega 510x385 H440 with basket with Cast Iron Grate E600	116
3	04770-P250	Concrete Catch Basin Mega 510x385 H440 outlet 250 with Cast Iron Grate E600	108.3
4	04770-P250-K	Concrete Catch Basin Mega 510x385 H440 with basket outlet 250 with Cast Iron Grate E600	111.5
5	04770/1	Concrete Catch Basin Mega 510x385 H440 top with Cast Iron Grate E600	98
6	04770/1-K	Concrete Catch Basin Mega 510x385 H440 top with basket with Cast Iron Grate E600	101.3

1. Dimensions for reference
2. Delivery and packaging are carried out in accordance with the terms of the contract
3. The manufacturer reserves the right, without notice to the consumer, to make changes to the design of the products for improvement of their technological and operational parameters, which will not affect the quality and properties of the product
4. Deviation of the actual weight of the nominal can be up to 10%.

UNLESS OTHERWISE SPECIFIED: DIMENSIONS ARE IN MILLIMETERS SURFACE FINISH: TOLERANCES: ISO 2768 - C LINEAR: ANGULAR:			FINISH:		DEBURR AND BREAK SHARP EDGES		DO NOT SCALE DRAWING		REVISION		
DRAWN O. Kozhukh						SIGNATURE		DATE 21.03.2023.		TITLE: Concrete Catch Basin Mega 510x385 H440 with Cast Iron Grate E600	
CHK'D V. Kyselytsia						SIGNATURE		DATE		ARTICLE: A3	
APPV'D I. Malynovskiy						SIGNATURE		DATE		SCALE: 1:10	
MFG						SIGNATURE		DATE		SHEET 1 OF 1	
Q.A						SIGNATURE		DATE		WEIGHT: kg	
						SIGNATURE		DATE		MATERIAL: Concrete, Cast Iron	