

LV-25.31.28-PV 07607133409

Primary Usage

Reference No.

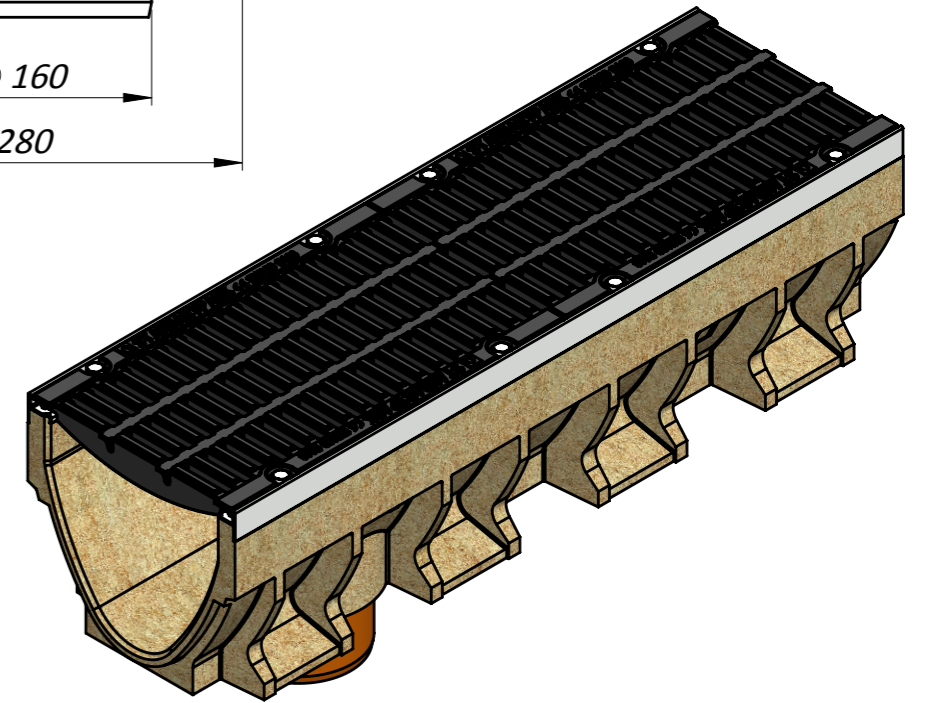
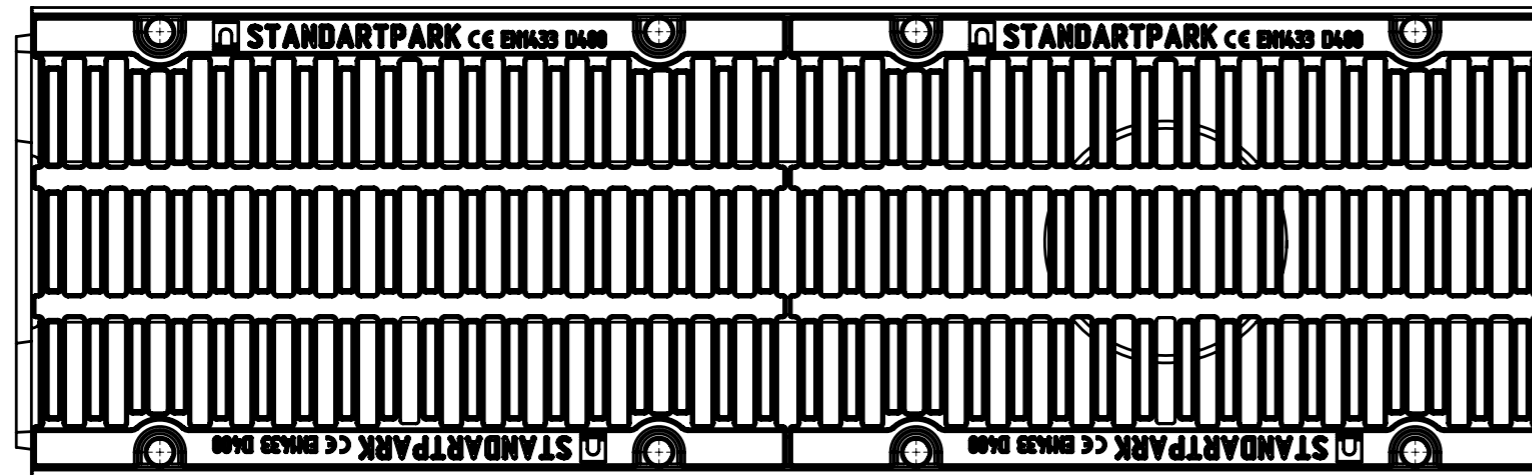
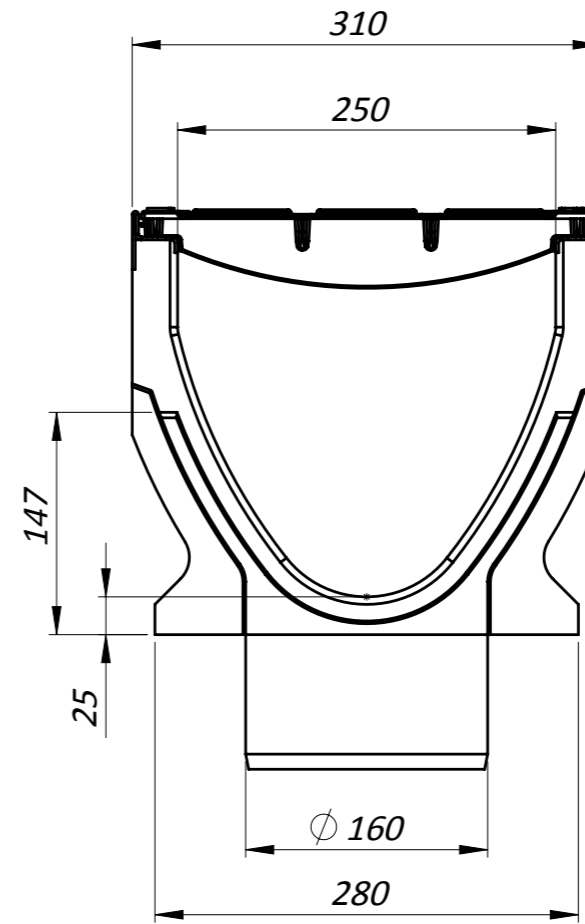
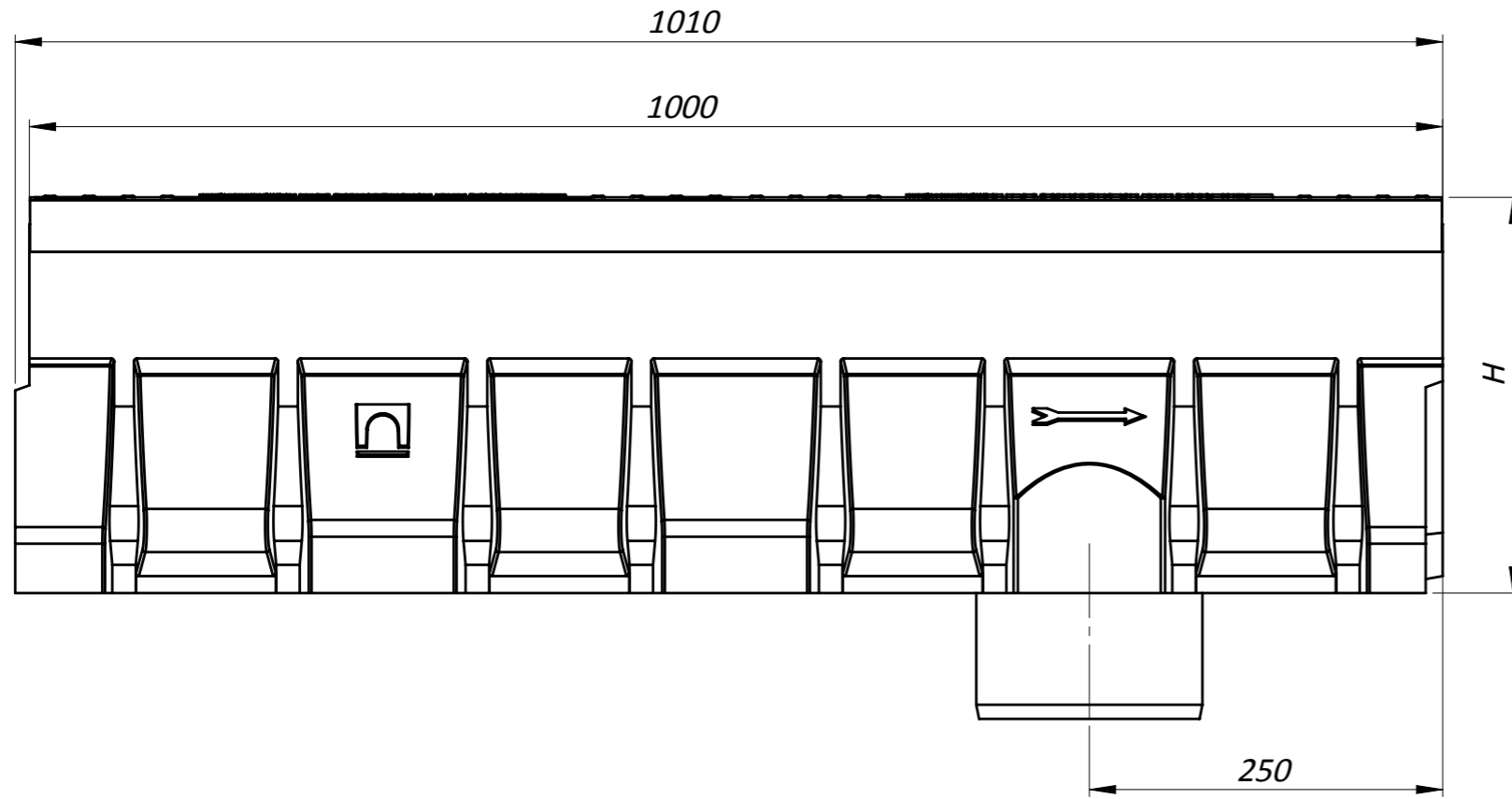
Sign. and date

Copy inv. No.

Repl. Inv. No.

Sign. and date

Orig. Inv. No.



Article	Name	H, mm
07607133409/280	LV-25.31.28-PV-K280	280
07607133409/275	LV-25.31.28-PV-K275	275
07607133409/270	LV-25.31.28-PV-K270	270
07607133409/265	LV-25.31.28-PV-K265	265
07607133409/260	LV-25.31.28-PV-K260	260
07607133409/255	LV-25.31.28-PV-K255	255
07607133409/250	LV-25.31.28-PV-K250	250
07607133409/245	LV-25.31.28-PV-K245	245
07607133409/240	LV-25.31.28-PV-K240	240
07607133409/235	LV-25.31.28-PV-K235	235
07607133409/230	LV-25.31.28-PV-K230	230

1. Area of water intake slots 910 sq cm
2. Deviation of the actual weight of the nominal can be up to 8%

				Art. 07607133409		
				LV-25.31.28-PV 07607133409 cascade		
				Polymer Concrete Channel		Let.
				Load Class D		Weight
						Scale
						1:5
				Sheet		Sheets 1
				Polymer Concrete, Steel, Ductile Cast Iron		