

LV-25.31.33-PV 07607133409

Primary Usage

Reference No.

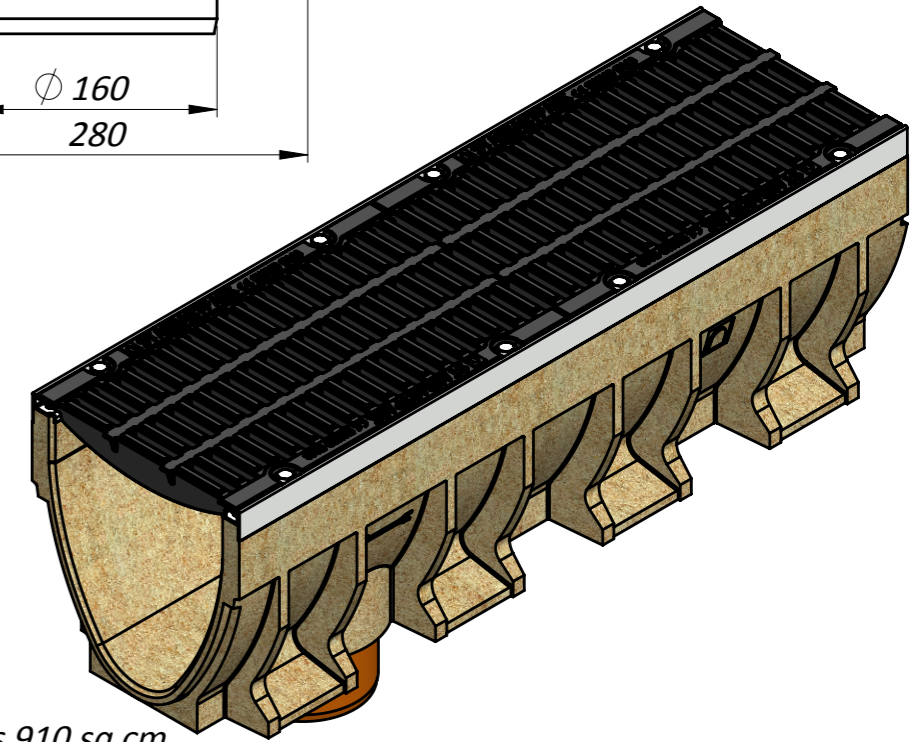
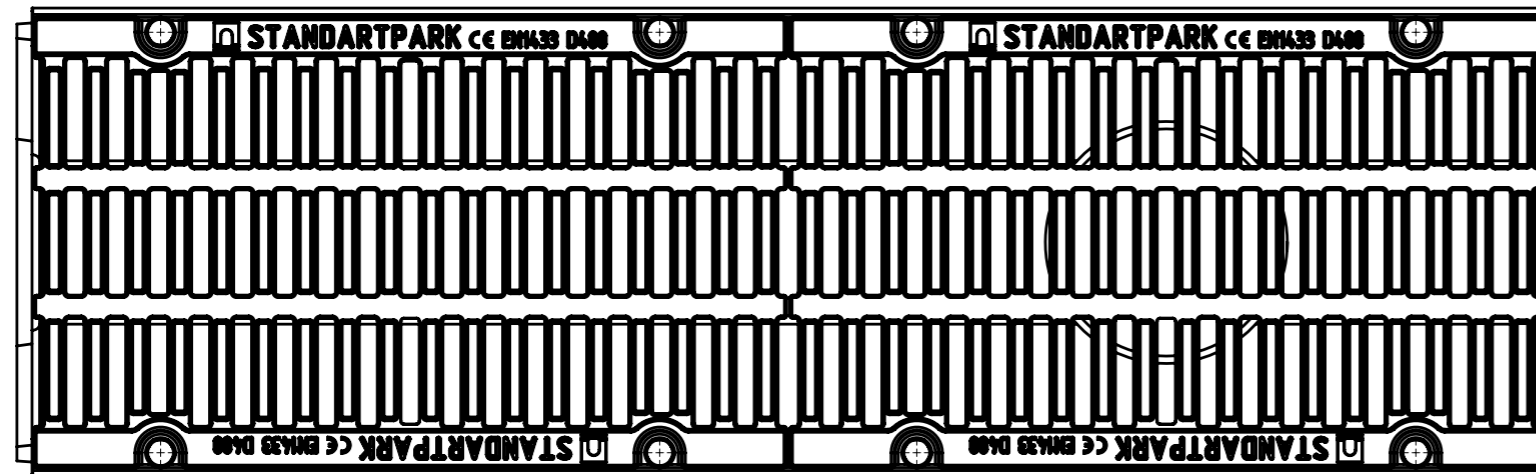
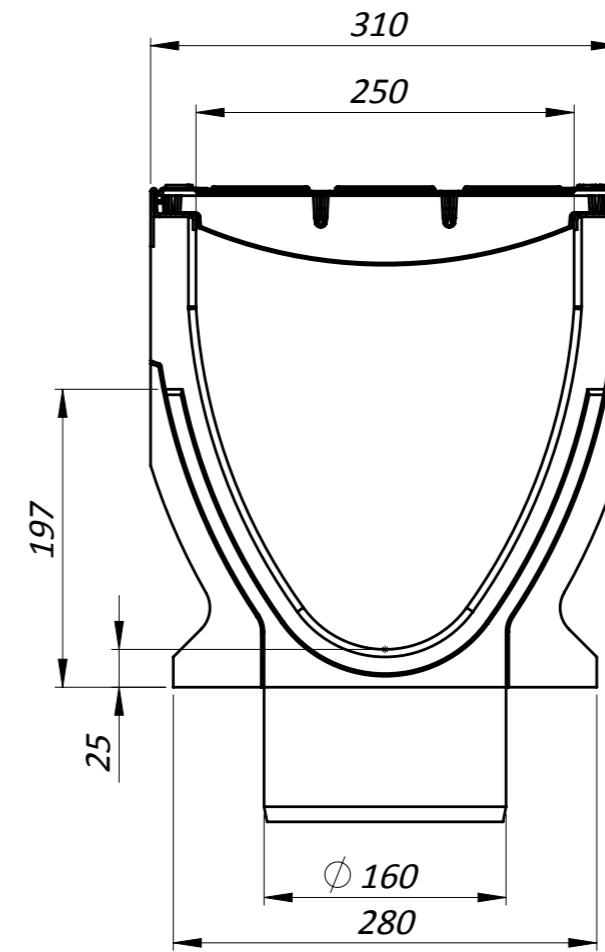
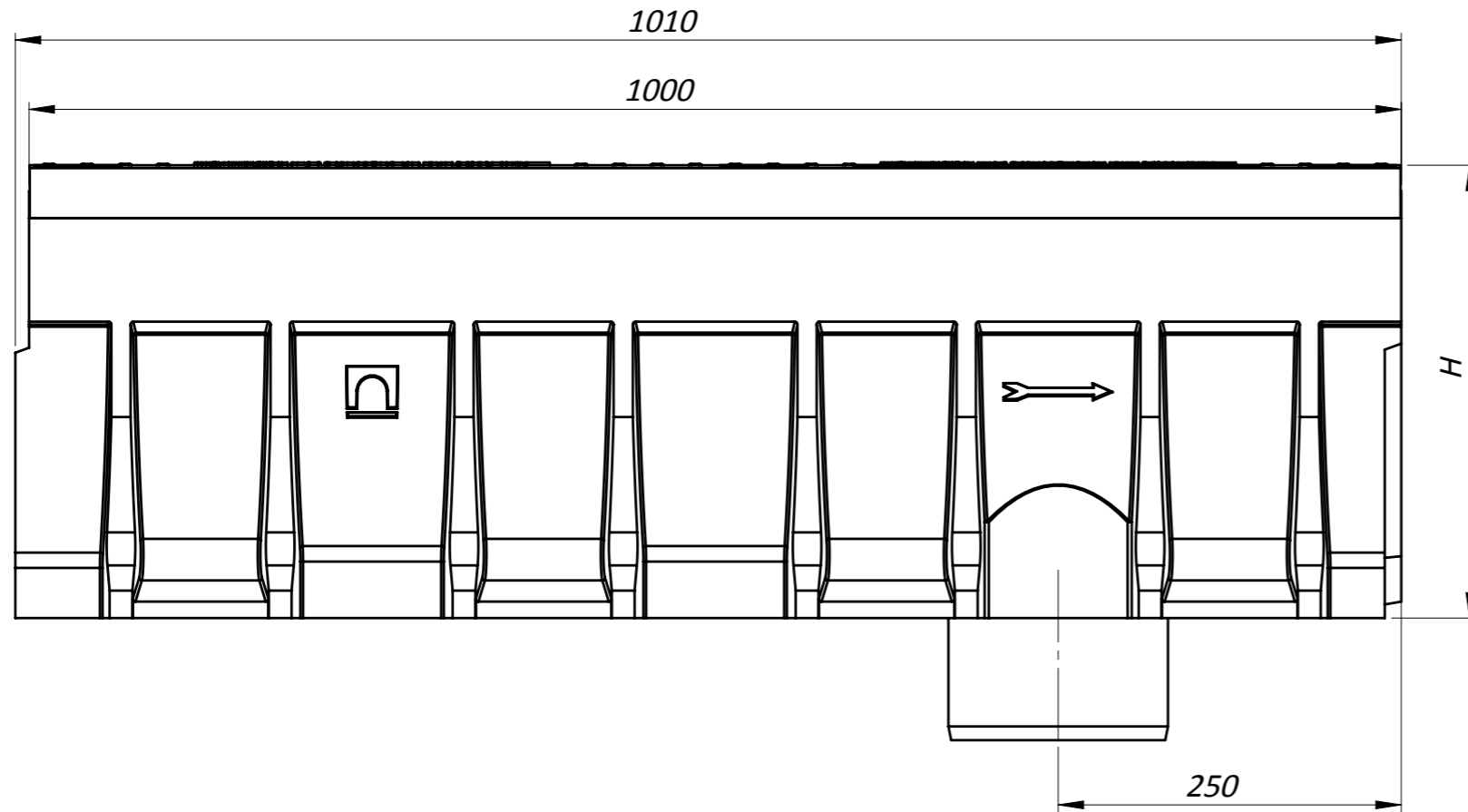
Sign. and date

Copy inv. No.

Repl. Inv. No.

Sign. and date

Orig. Inv. No.



Article	Name	H, mm
07607133409/330	LV-25.31.33-PV-K330	330
07607133409/325	LV-25.31.33-PV-K325	325
07607133409/320	LV-25.31.33-PV-K320	320
07607133409/315	LV-25.31.33-PV-K315	315
07607133409/310	LV-25.31.33-PV-K310	310
07607133409/305	LV-25.31.33-PV-K305	305
07607133409/300	LV-25.31.33-PV-K300	300
07607133409/295	LV-25.31.33-PV-K295	295
07607133409/290	LV-25.31.33-PV-K290	290
07607133409/285	LV-25.31.33-PV-K285	285

1. Area of water intake slots 910 sq cm
2. Deviation of the actual weight of the nominal can be up to 8%

					Art. 07607133409				
					LV-25.31.33-PV 07607133409 cascade				
					Polymer Concrete Channel with grating		Let.	Weight	Scale
					Load Class D				1:5
							Sheet	Sheets 1	
					Polymer Concrete, Steel, Ductile Cast Iron				