

Primary Usage

Reference No.

Sign. and date

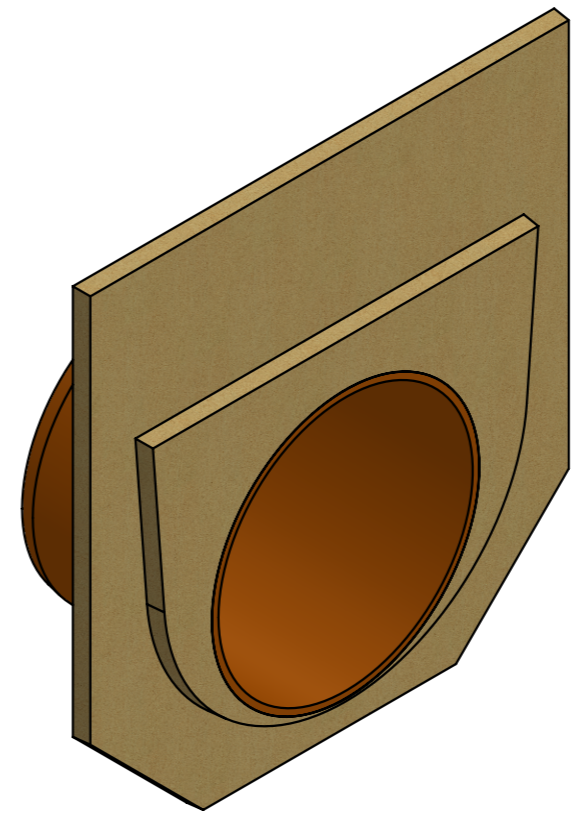
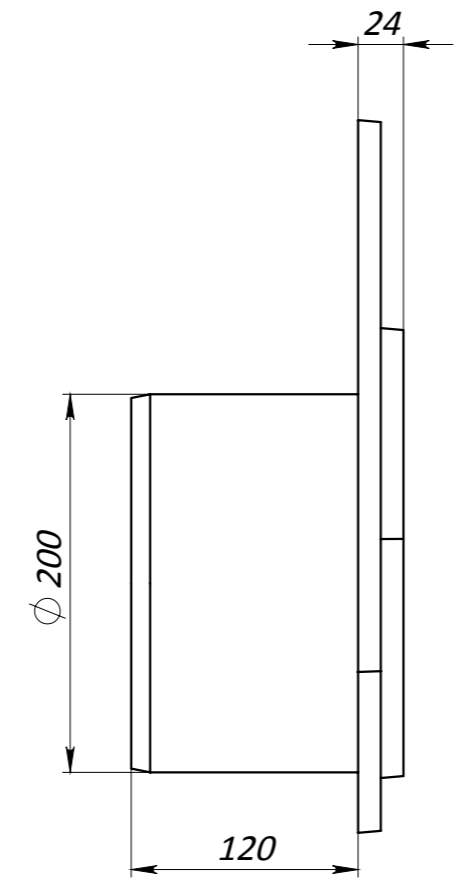
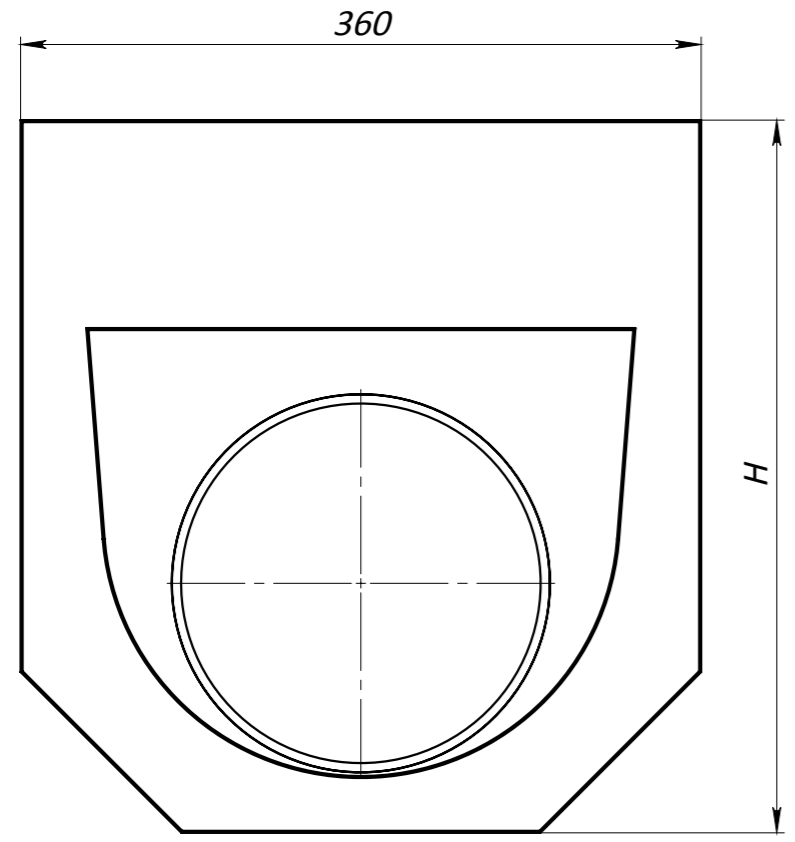
Copy inv. No.

Repl. Inv. No.

Sign. and date

Orig. Inv. No.

ZLV-30.36.41-P-B - 6771-09BD



Article	Name	H, mm	Channel height, mm
6771-09BD/410	ZLV-30.36.41-P-B	377	410
6771-09BD/405	ZLV-30.36.41-P-B	372	405
6771-09BD/400	ZLV-30.36.41-P-B	367	400
6771-09BD/395	ZLV-30.36.41-P-B	362	395
6771-09BD/390	ZLV-30.36.41-P-B	357	390
6771-09BD/385	ZLV-30.36.41-P-B	352	385
6771-09BD/380	ZLV-30.36.41-P-B	347	380
6771-09BD/375	ZLV-30.36.41-P-B	342	375
6771-09BD/370	ZLV-30.36.41-P-B	337	370
6771-09BD/365	ZLV-30.36.41-P-B	332	365
6771-09BD/360	ZLV-30.36.41-P-B	327	360
6771-09BD/355	ZLV-30.36.41-P-B	322	355
6771-09BD/350	ZLV-30.36.41-P-B	317	350
6771-09BD/345	ZLV-30.36.41-P-B	312	345
6771-09BD/340	ZLV-30.36.41-P-B	307	340
6771-09BD/335	ZLV-30.36.41-P-B	302	335
6771-09BD/330	ZLV-30.36.41-P-B	297	330
6771-09BD/325	ZLV-30.36.41-P-B	292	325
6771-09BD/320	ZLV-30.36.41-P-B	287	320
6771-09BD/315	ZLV-30.36.41-P-B	282	315
6771-09BD/310	ZLV-30.36.41-P-B	277	310
6771-09BD/305	ZLV-30.36.41-P-B	272	305
6771-09BD/300	ZLV-30.36.41-P-B	267	300
6771-09BD/295	ZLV-30.36.41-P-B	262	295
6771-09BD/290	ZLV-30.36.41-P-B	257	290
6771-09BD/285	ZLV-30.36.41-P-B	252	285
6771-09BD/280	ZLV-30.36.41-P-B	247	280
6771-09BD/275	ZLV-30.36.41-P-B	242	275
6771-09BD/270	ZLV-30.36.41-P-B	237	270
6771-09BD/265	ZLV-30.36.41-P-B	232	265
6771-09BD/260	ZLV-30.36.41-P-B	227	260

Rev.	Sheet	Doc. No.	Sign.	Data
				10.05.17

Art. 6771-09BD

ZLV-30.36.41-P-B - 6771-09BD

Let.	Weight	Scale
		1:4
Sheet		Sheets 1

Polymer Concrete End Cap
with outlet

Polymer Concrete