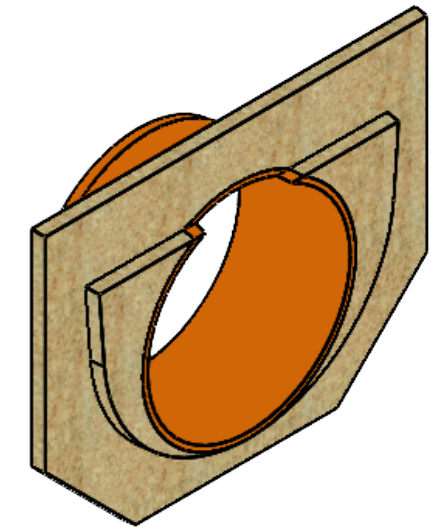
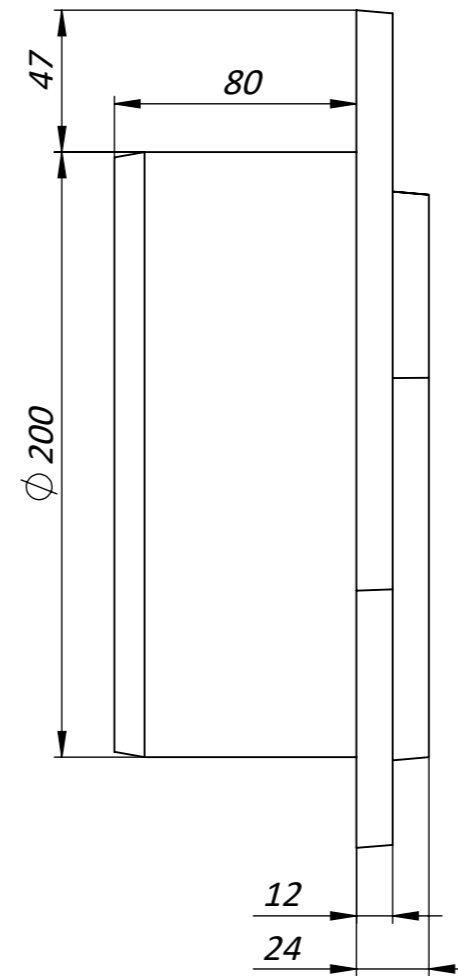
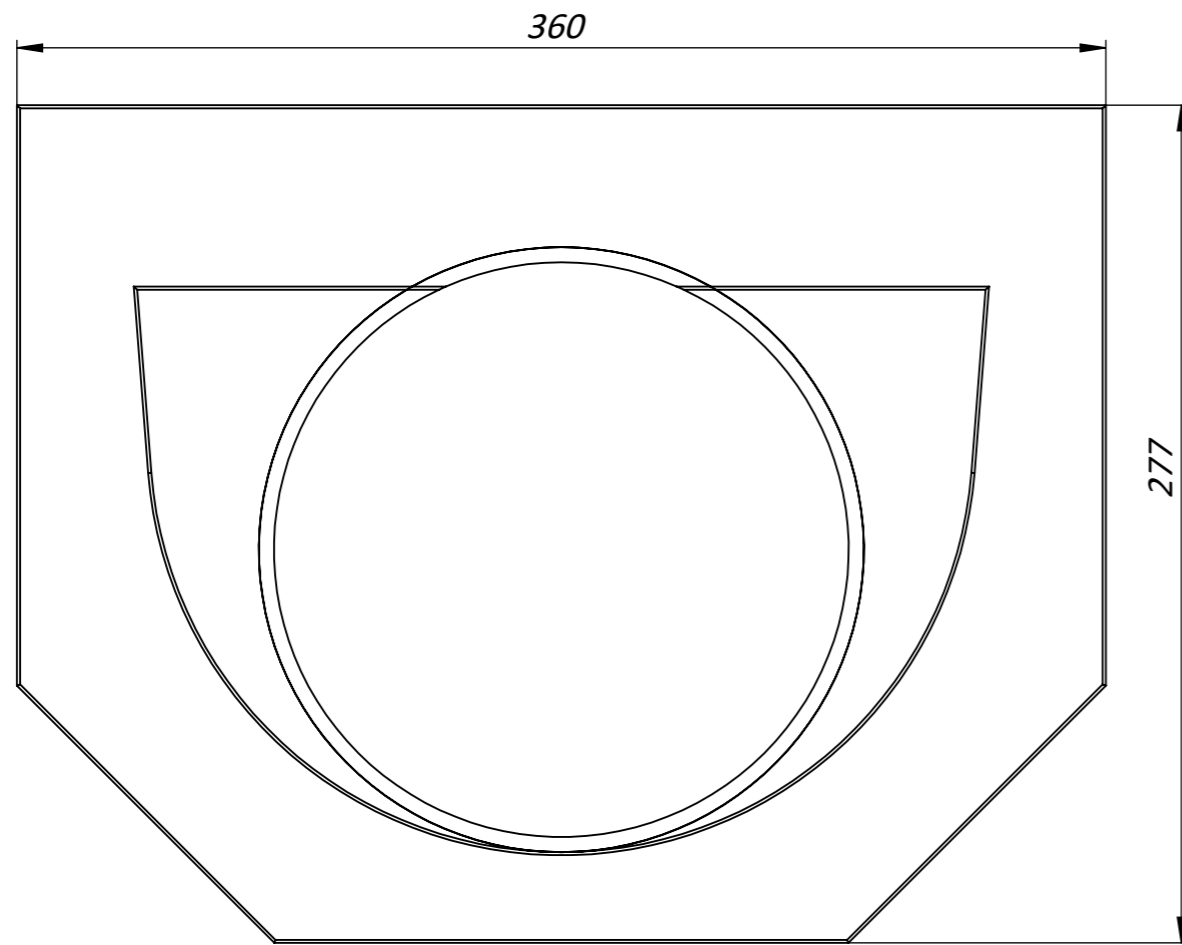



1. *Dimensions for reference*
2. *Delivery and packaging are carried out in accordance with the terms of the contract*
3. *The manufacturer reserves the right, without notice to the consumer, to make changes to the design of the products for improvement of their technological and operational parameters, which will not affect the quality and properties of the product*
4. *Deviation of the actual weight of the nominal can be up to 10%.*

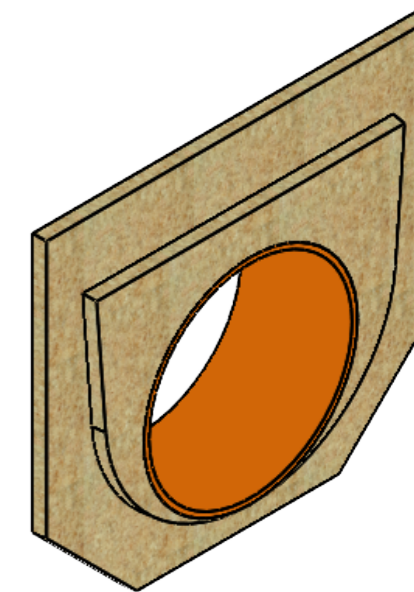
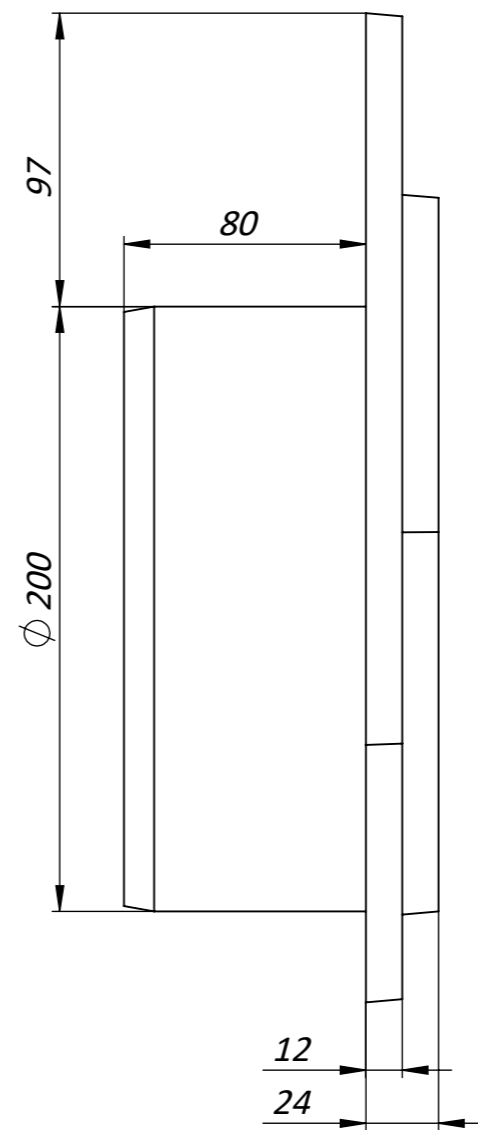
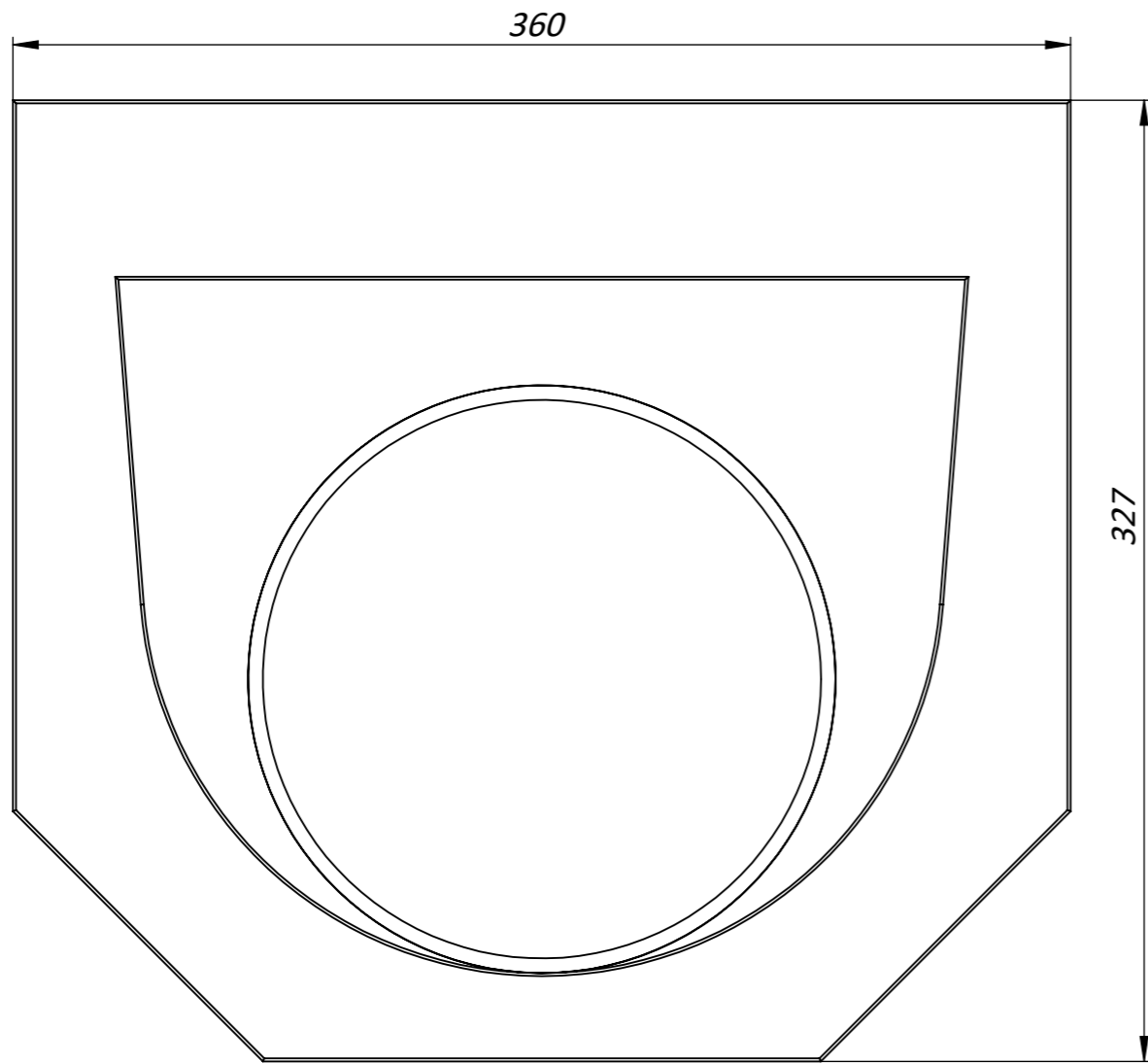
UNLESS OTHERWISE SPECIFIED: DIMENSIONS ARE IN MILLIMETERS SURFACE FINISH: TOLERANCES: ISO 2768 - C LINEAR: ANGULAR:		FINISH:		DEBURR AND BREAK SHARP EDGES		DO NOT SCALE DRAWING		REVISION	
DRAWN		Kozak		DATE		01.05.23		TITLE:	
CHK'D		Kyselytsia		DATE				Polymer Concrete End Cap with outlet 160 for Concrete Channel Pro DN300 H260	
APPV'D		Malynovskiy		DATE				ARTICLE:	
MFG				MATERIAL:		Polymer Concrete		67713409/260	
Q.A				WEIGHT:		1.85 kg		SCALE:1:2.5	
								SHEET 1 OF 1	

A3




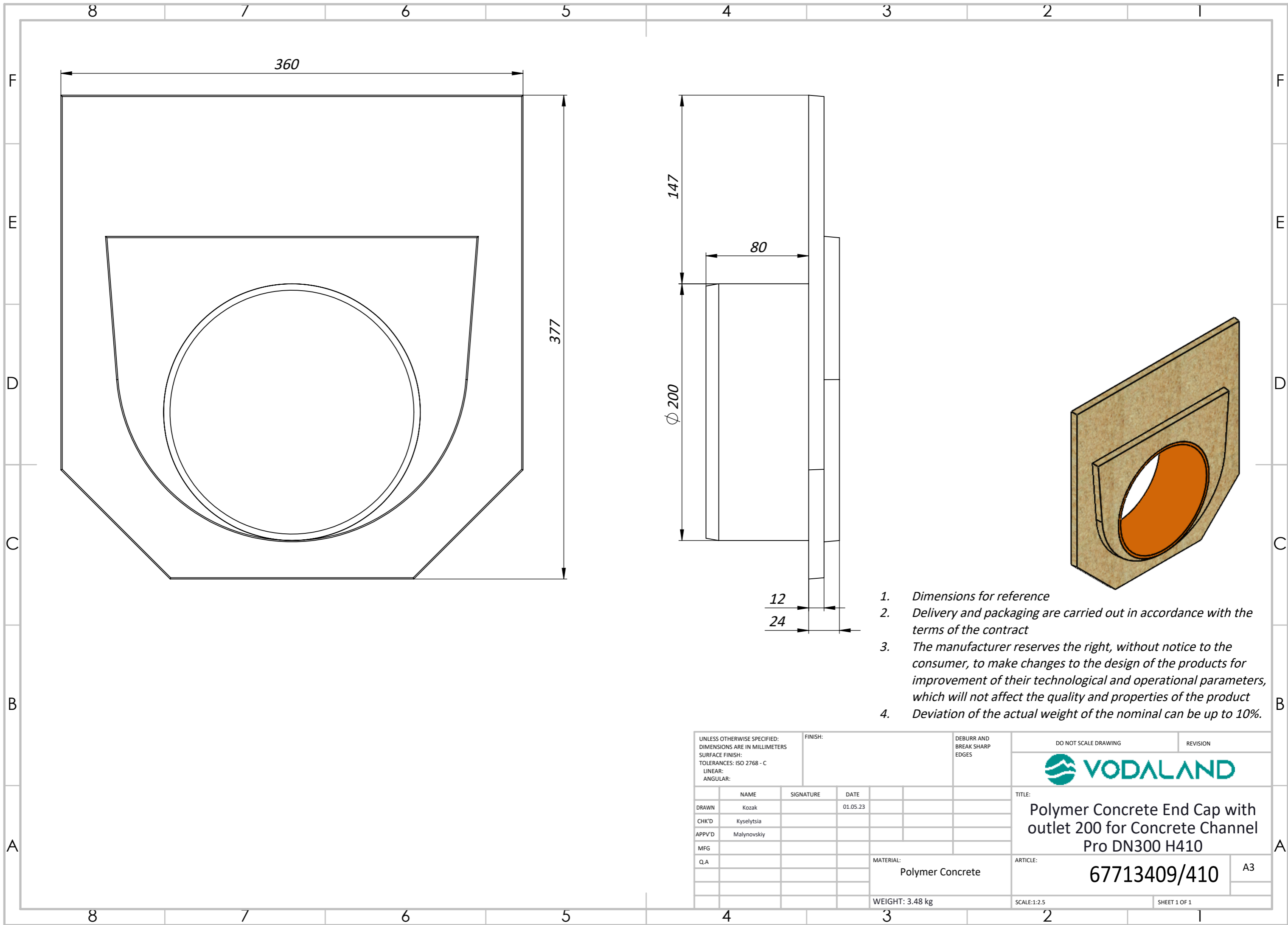
1. Dimensions for reference
2. Delivery and packaging are carried out in accordance with the terms of the contract
3. The manufacturer reserves the right, without notice to the consumer, to make changes to the design of the products for improvement of their technological and operational parameters, which will not affect the quality and properties of the product
4. Deviation of the actual weight of the nominal can be up to 10%.

UNLESS OTHERWISE SPECIFIED: DIMENSIONS ARE IN MILLIMETERS SURFACE FINISH: TOLERANCES: ISO 2768 - C LINEAR: ANGULAR:		FINISH:		DEBURR AND BREAK SHARP EDGES		DO NOT SCALE DRAWING		REVISION	
DRAWN		Kozak		SIGNATURE		DATE		01.05.23	
CHK'D		Kyselytsia		SIGNATURE		DATE			
APPV'D		Malynovskiy		SIGNATURE		DATE			
MFG				SIGNATURE		DATE			
Q.A				SIGNATURE		DATE			
				MATERIAL:		Polymer Concrete		ARTICLE:	
				WEIGHT: 2.20 kg		SCALE: 1:2.5		SHEET 1 OF 1	
								TITLE:	
								 Polymer Concrete End Cap with outlet 200 for Concrete Channel Pro DN300 H310	
								67713409/310	
								A3	



1. *Dimensions for reference*
2. *Delivery and packaging are carried out in accordance with the terms of the contract*
3. *The manufacturer reserves the right, without notice to the consumer, to make changes to the design of the products for improvement of their technological and operational parameters, which will not affect the quality and properties of the product*
4. *Deviation of the actual weight of the nominal can be up to 10%.*

UNLESS OTHERWISE SPECIFIED: DIMENSIONS ARE IN MILLIMETERS SURFACE FINISH: TOLERANCES: ISO 2768 - C LINEAR: ANGULAR:		FINISH:		DEBURR AND BREAK SHARP EDGES		DO NOT SCALE DRAWING		REVISION	
									
								TITLE:	
DRAWN	Kozak	SIGNATURE		DATE	01.05.23			Polymer Concrete End Cap with outlet 200 for Concrete Channel Pro DN300 H360	
CHK'D	Kyselytsia								
APPV'D	Malynovskiy								
MFG									
Q.A						MATERIAL:		ARTICLE:	
						Polymer Concrete		67713409/360	
						WEIGHT: 3.02 kg		SCALE: 1:2.5	
								SHEET 1 OF 1	



1. *Dimensions for reference*
2. *Delivery and packaging are carried out in accordance with the terms of the contract*
3. *The manufacturer reserves the right, without notice to the consumer, to make changes to the design of the products for improvement of their technological and operational parameters, which will not affect the quality and properties of the product*
4. *Deviation of the actual weight of the nominal can be up to 10%.*

UNLESS OTHERWISE SPECIFIED: DIMENSIONS ARE IN MILLIMETERS SURFACE FINISH: TOLERANCES: ISO 2768 - C LINEAR: ANGULAR:				FINISH:		DEBURR AND BREAK SHARP EDGES		DO NOT SCALE DRAWING		REVISION	
								TITLE: Polymer Concrete End Cap with outlet 200 for Concrete Channel Pro DN300 H410			
								ARTICLE: 67713409/410		A3	
						MATERIAL: Polymer Concrete		SCALE:1:2.5		SHEET 1 OF 1	
						WEIGHT: 3.48 kg					
DRAWN		NAME		SIGNATURE		DATE					
		Kozak				01.05.23					
CHK'D		Kyselytsia									
APPV'D		Malynovskiy									
MFG											
Q.A											