

8 7 6 5 4 3 2 1

F

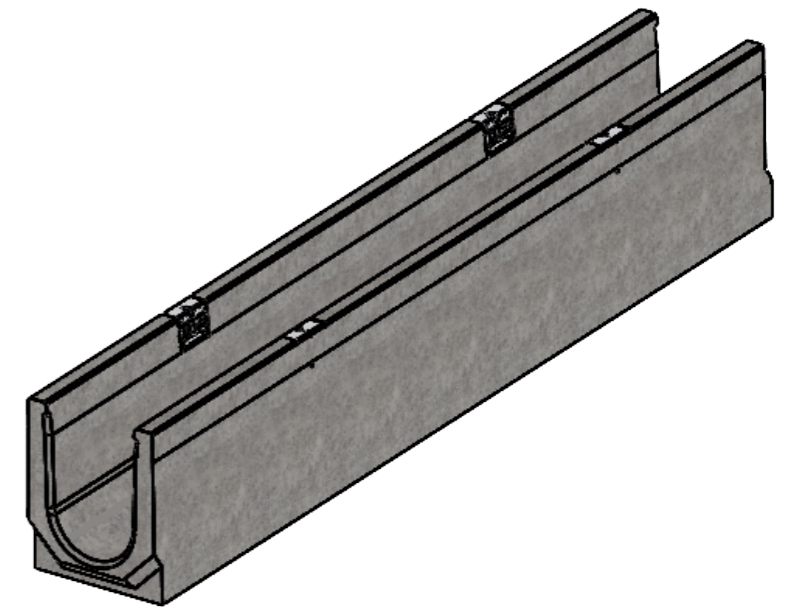
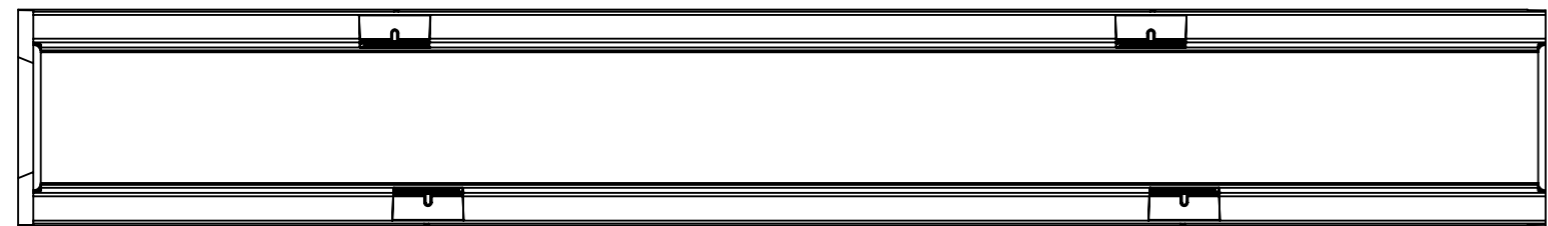
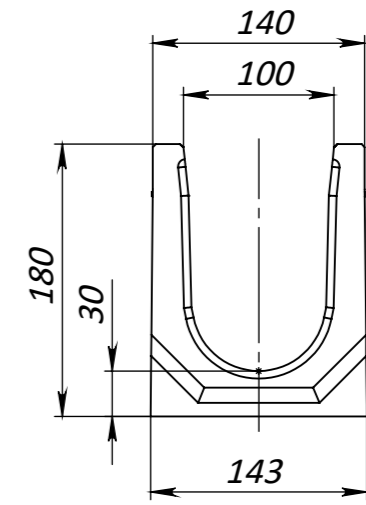
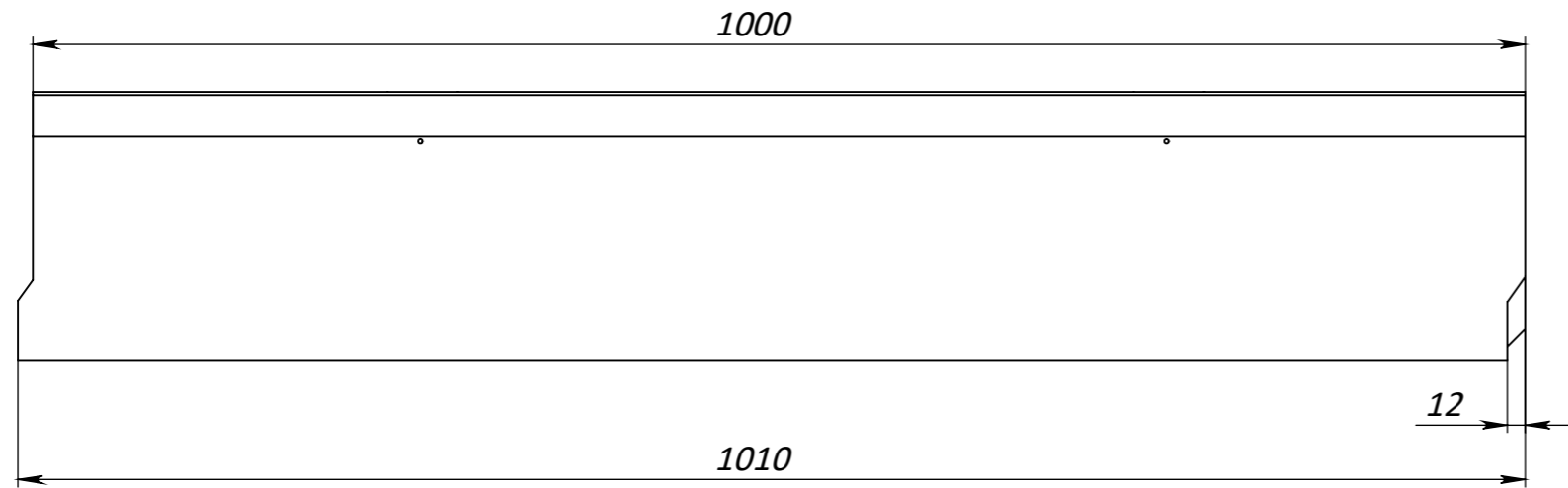
E

D

C

B

A



1. *Dimensions for reference*
2. *Delivery and packaging are carried out in accordance with the terms of the contract*
3. *The manufacturer reserves the right, without notice to the consumer, to make changes to the design of the products for improvement of their technological and operational parameters, which will not affect the quality and properties of the product*
4. *Deviation of the actual weight of the nominal can be up to 10%.*

UNLESS OTHERWISE SPECIFIED: DIMENSIONS ARE IN MILLIMETERS SURFACE FINISH: TOLERANCES: ISO 2768 - C LINEAR: ANGULAR:				FINISH:		DEBURR AND BREAK SHARP EDGES		DO NOT SCALE DRAWING		REVISION	
								TITLE: Concrete Drain Channel Base DN100 H180 with plastic inserts C250			
								ARTICLE: 4000/180-1		A3	
						MATERIAL: Concrete		SCALE: 1:5		SHEET 1 OF 1	
						WEIGHT: 28.06 kg					
DRAWN		NAME		SIGNATURE		DATE					
		Kozak				12.06.23					
CHK'D		Kyselytsia									
APPV'D		Malynovskiy									
MFG											
Q.A											

8 7 6 5 4 3 2 1

F

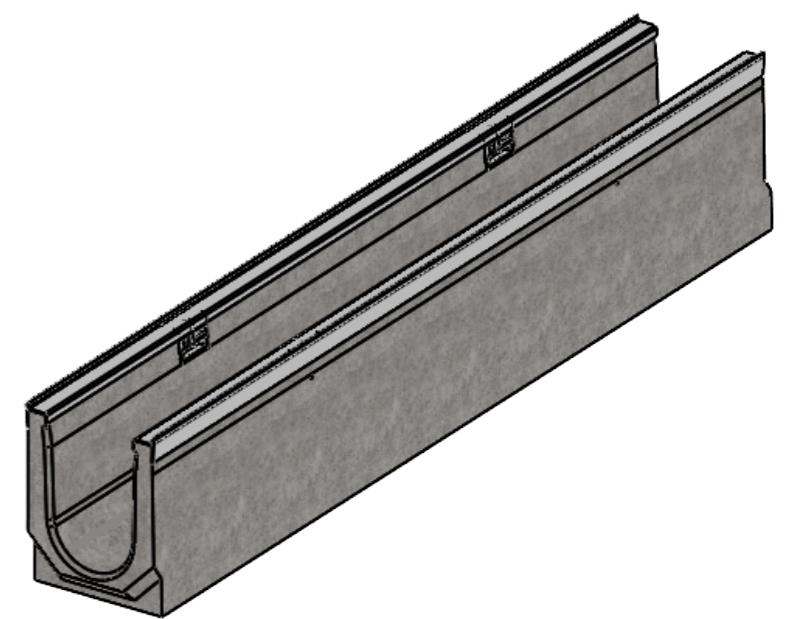
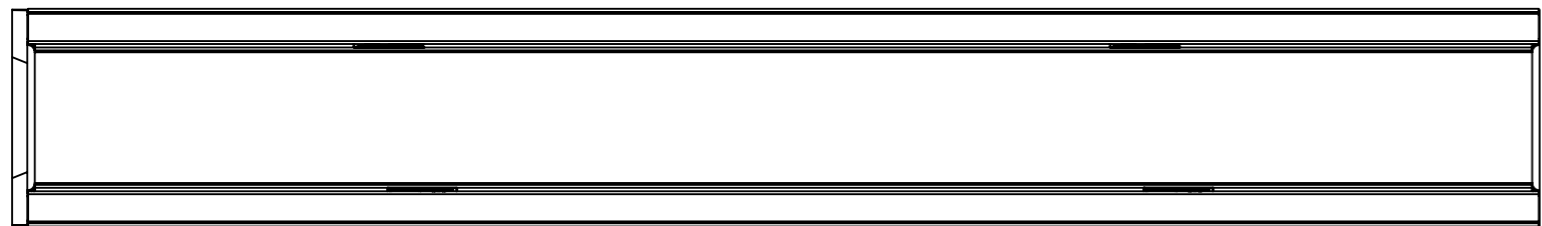
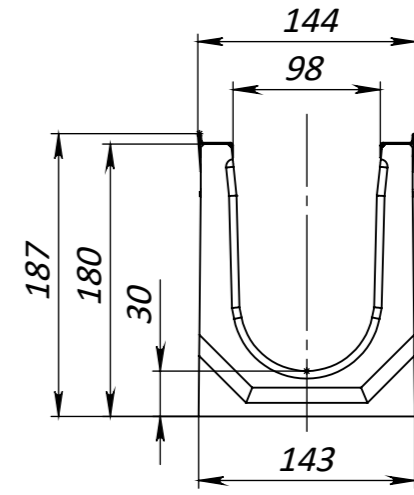
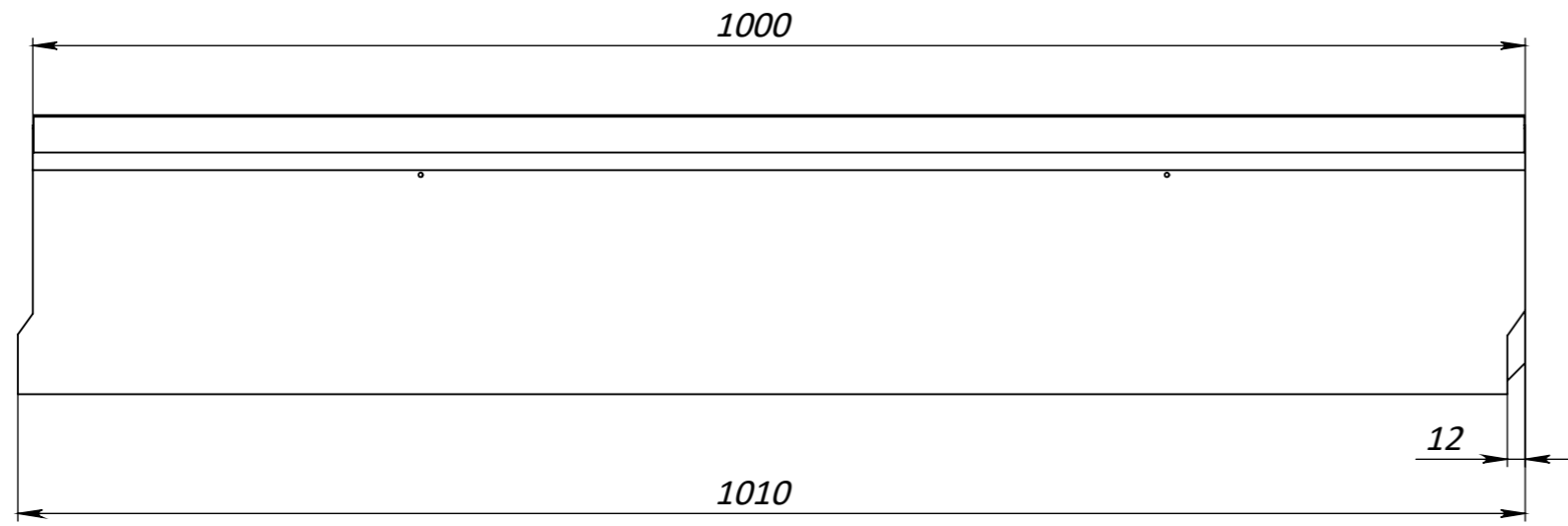
E

D


C

B

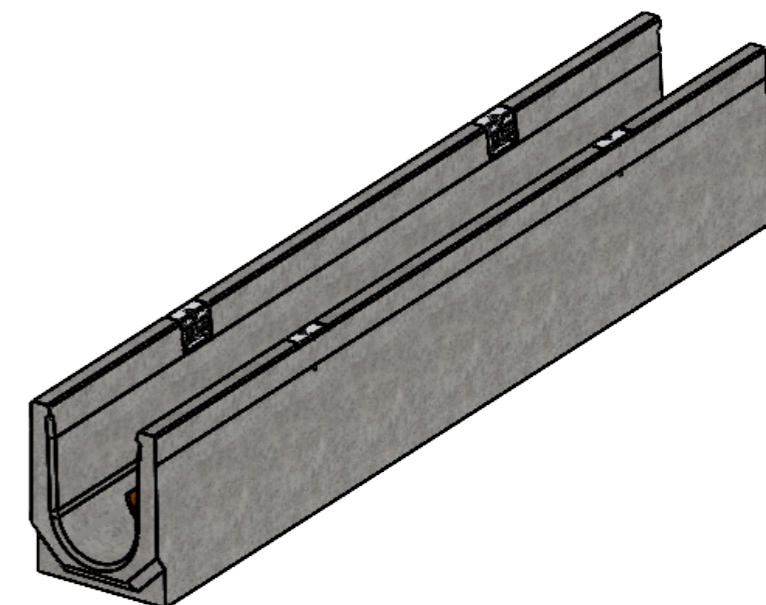
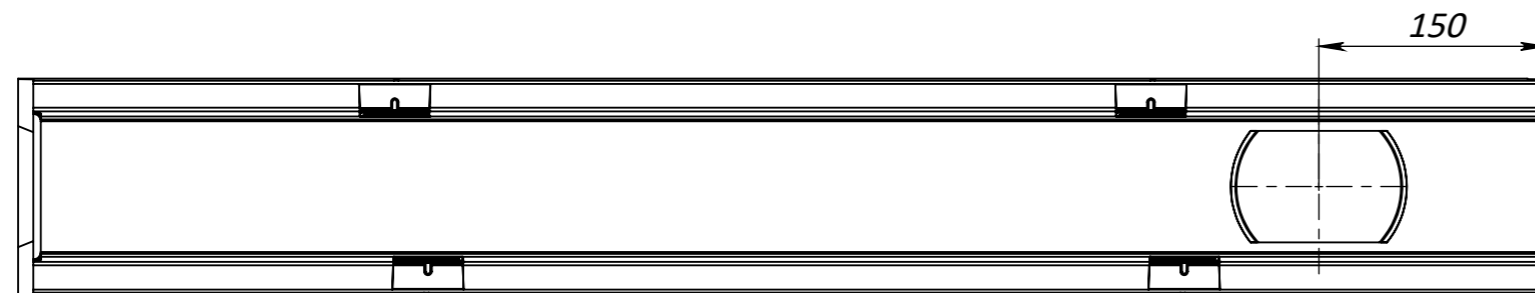
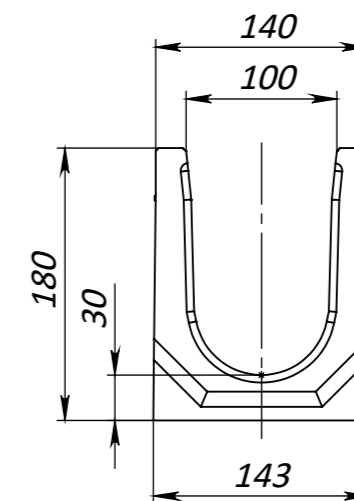
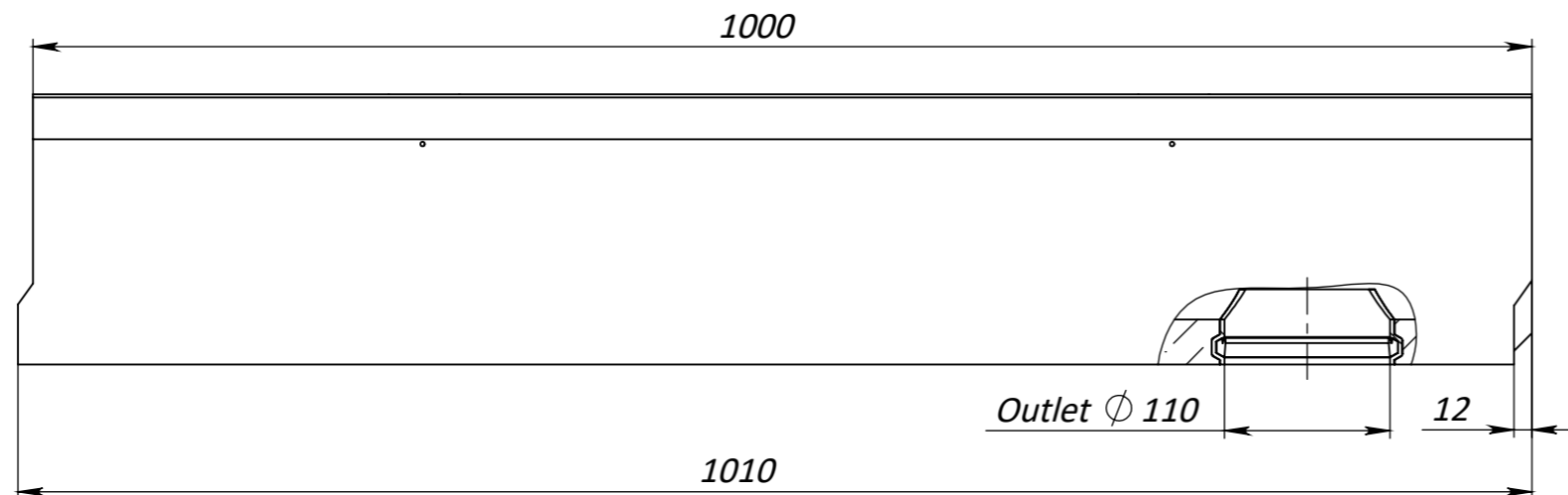
A



1. *Dimensions for reference*
2. *Delivery and packaging are carried out in accordance with the terms of the contract*
3. *The manufacturer reserves the right, without notice to the consumer, to make changes to the design of the products for improvement of their technological and operational parameters, which will not affect the quality and properties of the product*
4. *Deviation of the actual weight of the nominal can be up to 10%.*

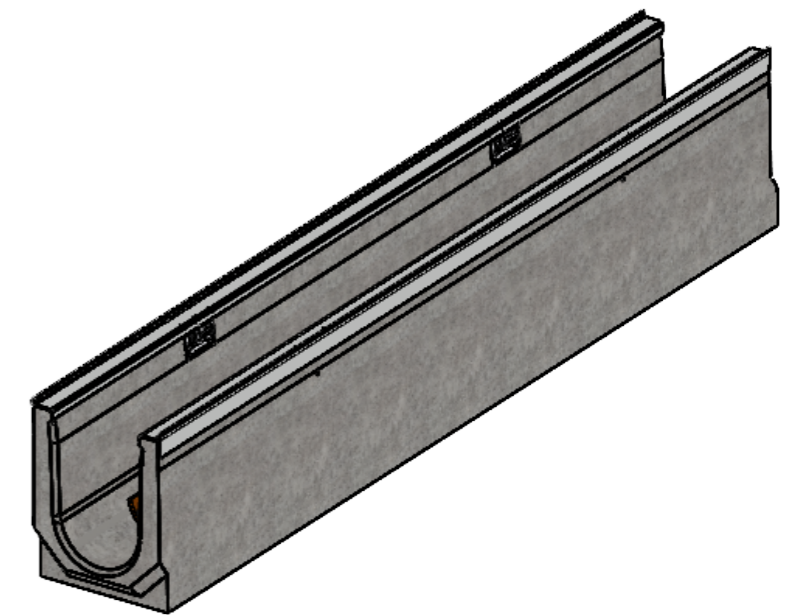
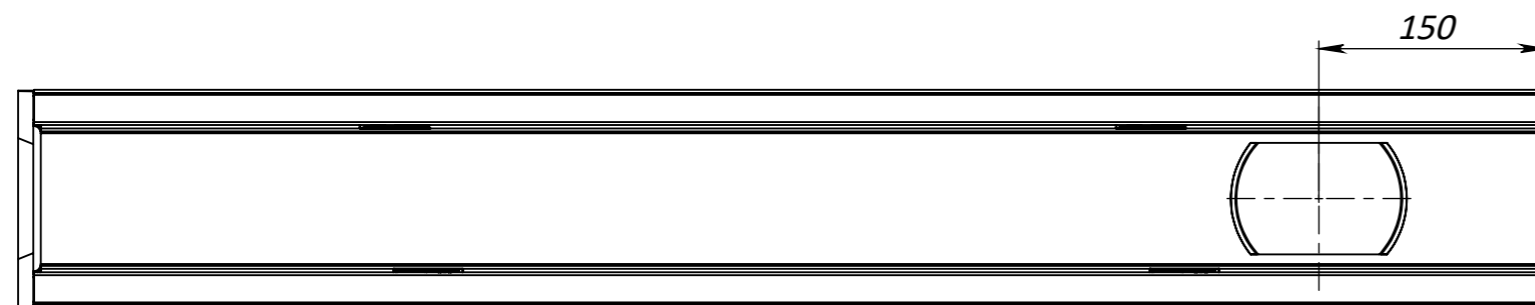
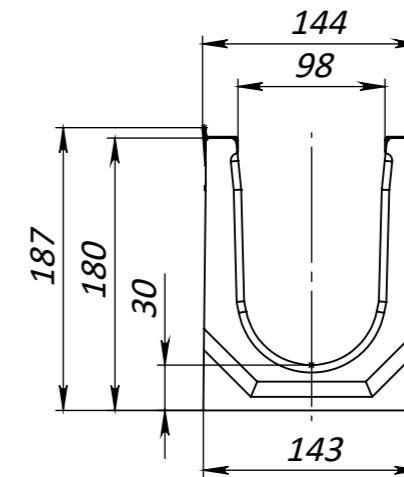
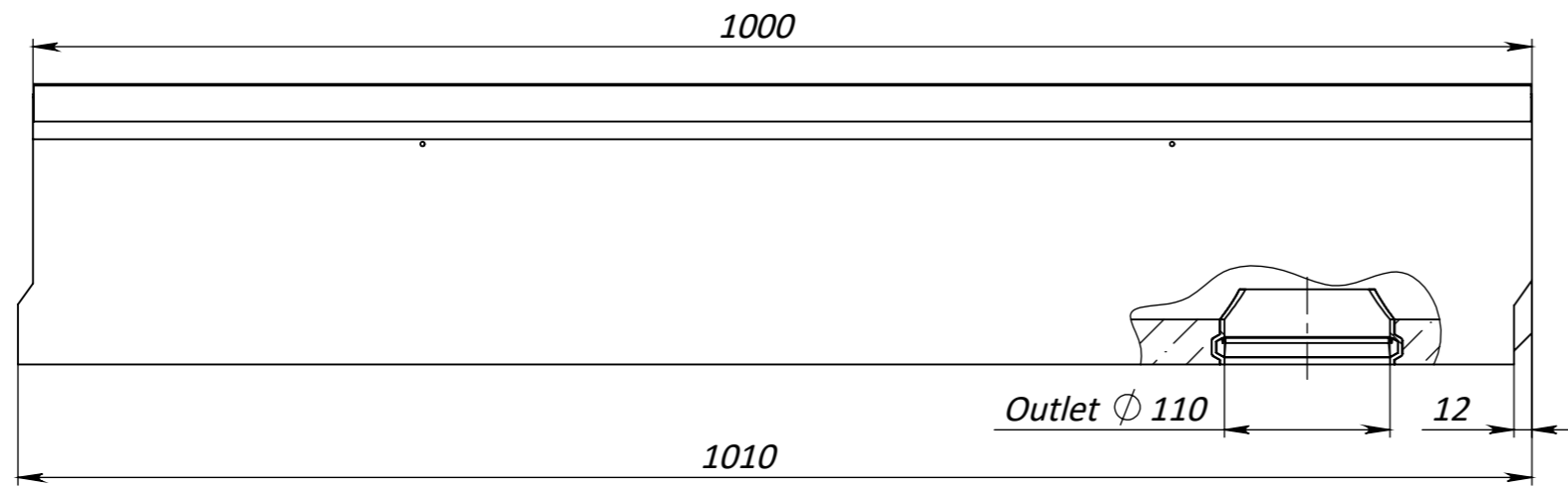
UNLESS OTHERWISE SPECIFIED: DIMENSIONS ARE IN MILLIMETERS SURFACE FINISH: TOLERANCES: ISO 2768 - C LINEAR: ANGULAR:			FINISH:		DEBURR AND BREAK SHARP EDGES		DO NOT SCALE DRAWING		REVISION		
							 TITLE: Concrete Drain Channel Base DN100 H180 with plastic inserts reinforced C250				
DRAWN		Kozak	SIGNATURE		DATE				12.06.23		
CHK'D		Kyselytsia									
APPV'D		Malynovskiy									
MFG											
Q.A							MATERIAL:		Concrete		
								ARTICLE:		400007/180-1	
								WEIGHT: 29.00 kg		SCALE: 1:5	
										SHEET 1 OF 1	

A3




1. *Dimensions for reference*
2. *Delivery and packaging are carried out in accordance with the terms of the contract*
3. *The manufacturer reserves the right, without notice to the consumer, to make changes to the design of the products for improvement of their technological and operational parameters, which will not affect the quality and properties of the product*
4. *Deviation of the actual weight of the nominal can be up to 10%.*

UNLESS OTHERWISE SPECIFIED: DIMENSIONS ARE IN MILLIMETERS SURFACE FINISH: TOLERANCES: ISO 2768 - C LINEAR: ANGULAR:			FINISH:		DEBURR AND BREAK SHARP EDGES		DO NOT SCALE DRAWING		REVISION		
							TITLE: Concrete Drain Channel Base DN100 H180 with plastic inserts vertical outlet 110 C250				
DRAWN Kozak			SIGNATURE		DATE 12.06.23		ARTICLE: 400009/180-1		A3		
CHK'D Kyselytsia							MATERIAL: Concrete				
APPV'D Malynovskiy							WEIGHT: 27.15 kg		SCALE: 1:5		
MFG							SHEET 1 OF 1				
Q.A											



1. *Dimensions for reference*
2. *Delivery and packaging are carried out in accordance with the terms of the contract*
3. *The manufacturer reserves the right, without notice to the consumer, to make changes to the design of the products for improvement of their technological and operational parameters, which will not affect the quality and properties of the product*
4. *Deviation of the actual weight of the nominal can be up to 10%.*

UNLESS OTHERWISE SPECIFIED: DIMENSIONS ARE IN MILLIMETERS SURFACE FINISH: TOLERANCES: ISO 2768 - C LINEAR: ANGULAR:			FINISH:		DEBURR AND BREAK SHARP EDGES		DO NOT SCALE DRAWING		REVISION																									
									TITLE: Concrete Drain Channel Base DN100 H180 with plastic inserts vertical outlet 110 reinforced C250																									
											ARTICLE: 40000907/180-1		A3																					
							MATERIAL: Concrete																											
							WEIGHT: 28.10 kg		SCALE: 1:5 SHEET 1 OF 1																									
<table border="1"> <thead> <tr> <th></th> <th>NAME</th> <th>SIGNATURE</th> <th>DATE</th> </tr> </thead> <tbody> <tr> <td>DRAWN</td> <td>Kozak</td> <td></td> <td>12.06.23</td> </tr> <tr> <td>CHK'D</td> <td>Kyselytsia</td> <td></td> <td></td> </tr> <tr> <td>APPV'D</td> <td>Malynovskiy</td> <td></td> <td></td> </tr> <tr> <td>MFG</td> <td></td> <td></td> <td></td> </tr> <tr> <td>Q.A</td> <td></td> <td></td> <td></td> </tr> </tbody> </table>				NAME	SIGNATURE	DATE	DRAWN	Kozak		12.06.23	CHK'D	Kyselytsia			APPV'D	Malynovskiy			MFG				Q.A											
	NAME	SIGNATURE	DATE																															
DRAWN	Kozak		12.06.23																															
CHK'D	Kyselytsia																																	
APPV'D	Malynovskiy																																	
MFG																																		
Q.A																																		