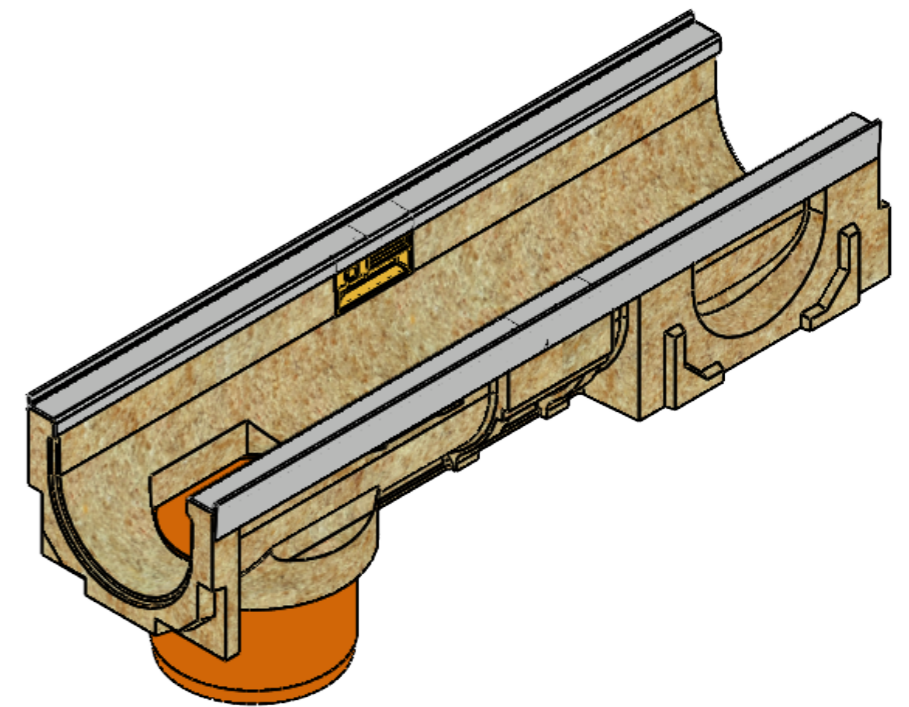
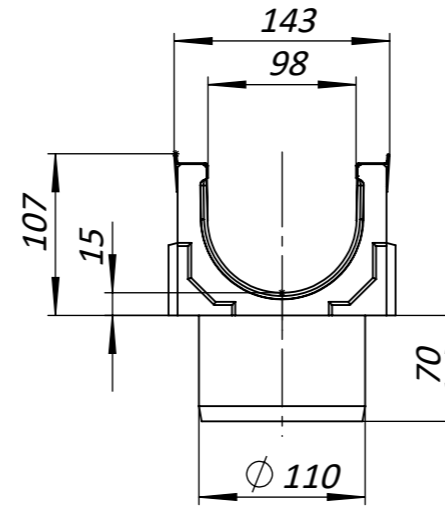
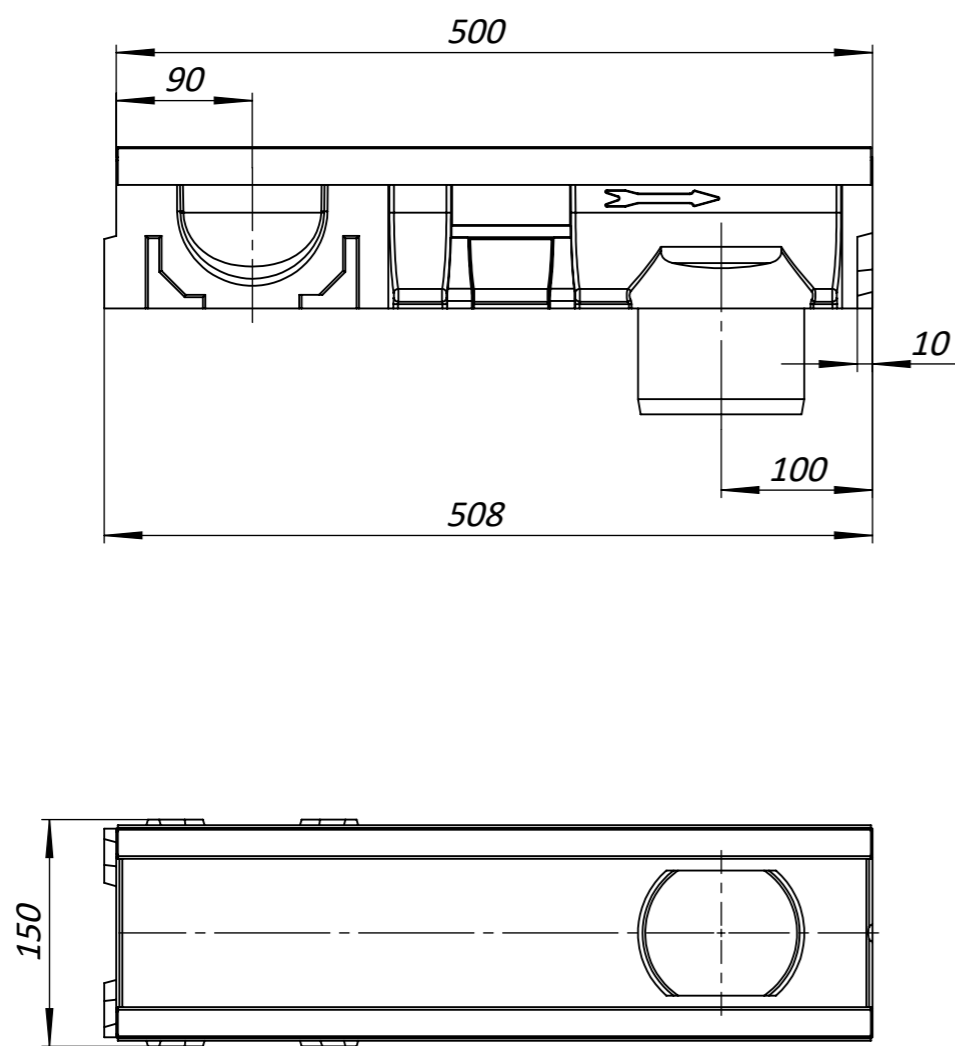


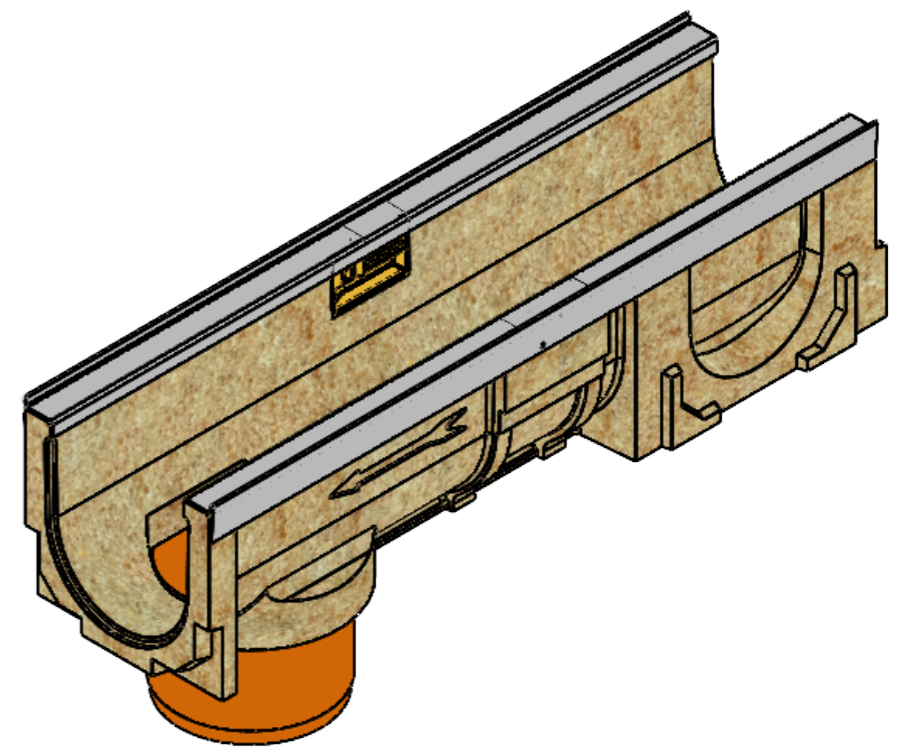
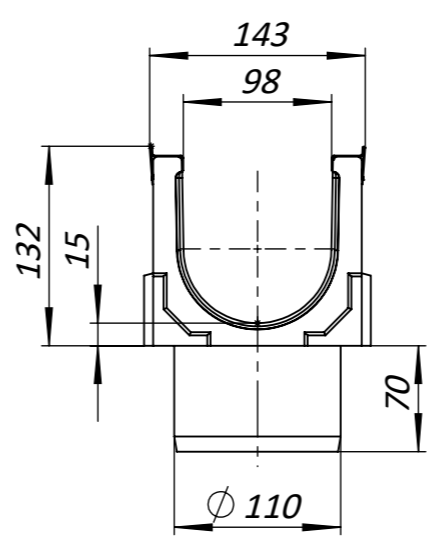
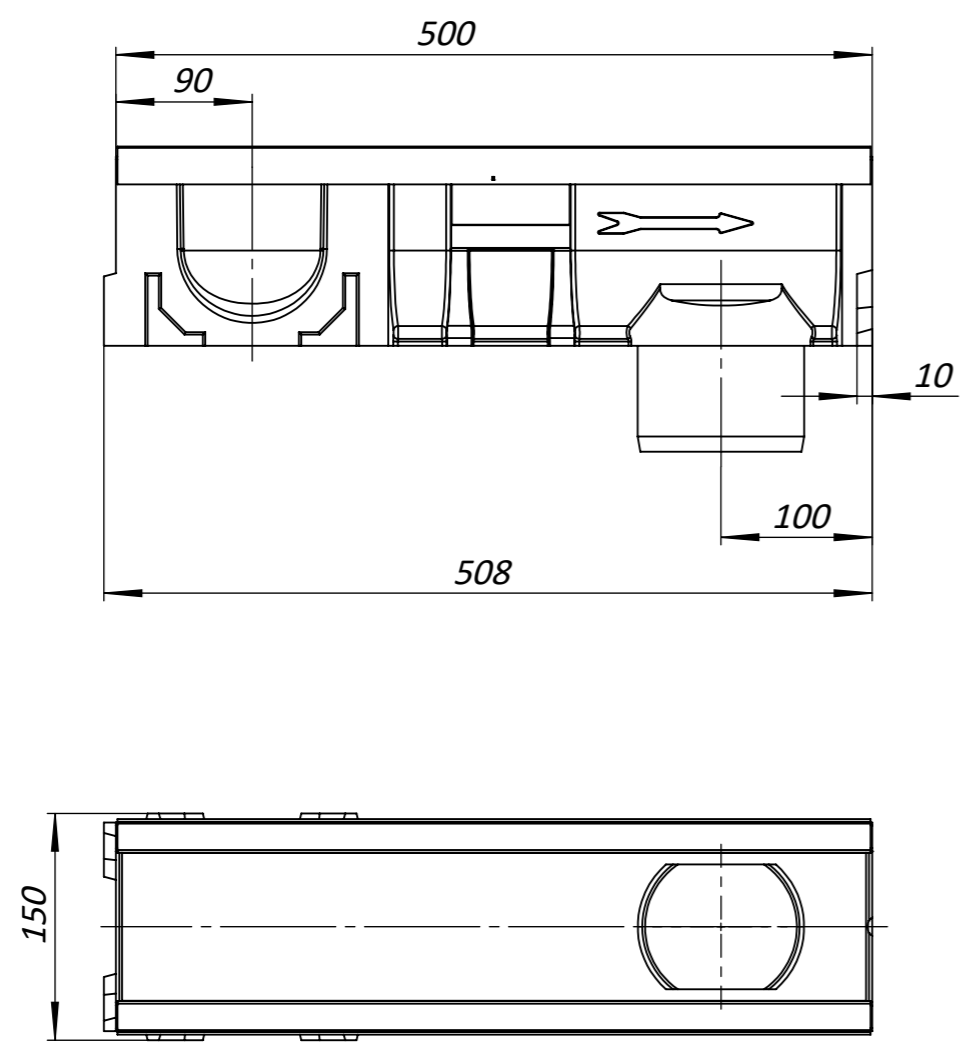
1. Dimensions for reference
2. Delivery and packaging are carried out in accordance with the terms of the contract
3. The manufacturer reserves the right, without notice to the consumer, to make changes to the design of the products for improvement of their technological and operational parameters, which will not affect the quality and properties of the product
4. Deviation of the actual weight of the nominal can be up to 10%.

UNLESS OTHERWISE SPECIFIED: DIMENSIONS ARE IN MILLIMETERS SURFACE FINISH: TOLERANCES: ISO 2768 - C LINEAR: ANGULAR:		FINISH:	DEBURR AND BREAK SHARP EDGES	DO NOT SCALE DRAWING	REVISION	A-01
	NAME	SIGNATURE	DATE	TITLE: Polymer Concrete Drain Channel Base DN100 H80 0.5m vertical outlet 110 reinforced C250		
DRAWN	B.MK		03.08.22			
CHK'D	B.VK					
APPV'D	B.IM					
MFG						
Q.A				MATERIAL: Polymer Concrete, Steel	ARTICLE: 70000907.05/80	A3
			WEIGHT: 4.05 kg	SCALE: 1:5	SHEET 1 OF 1	



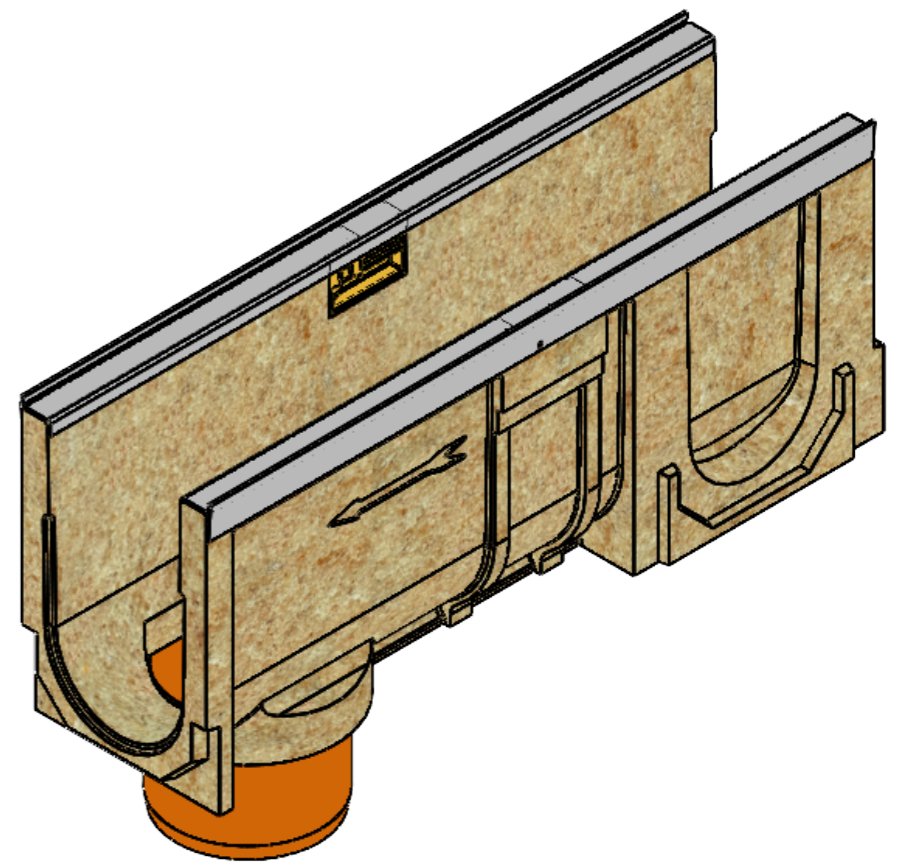
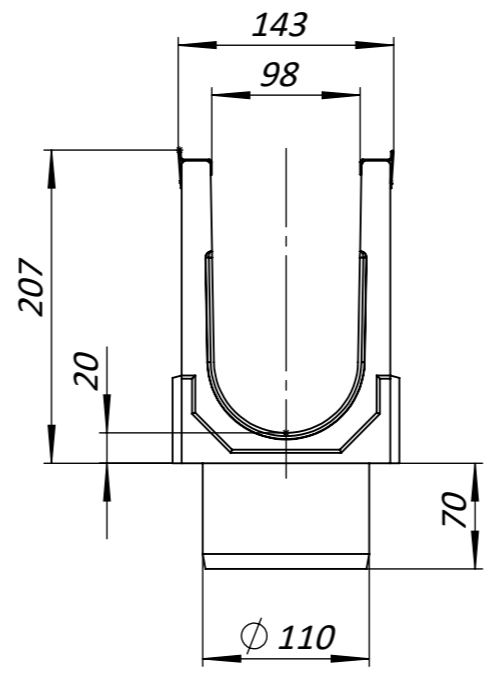
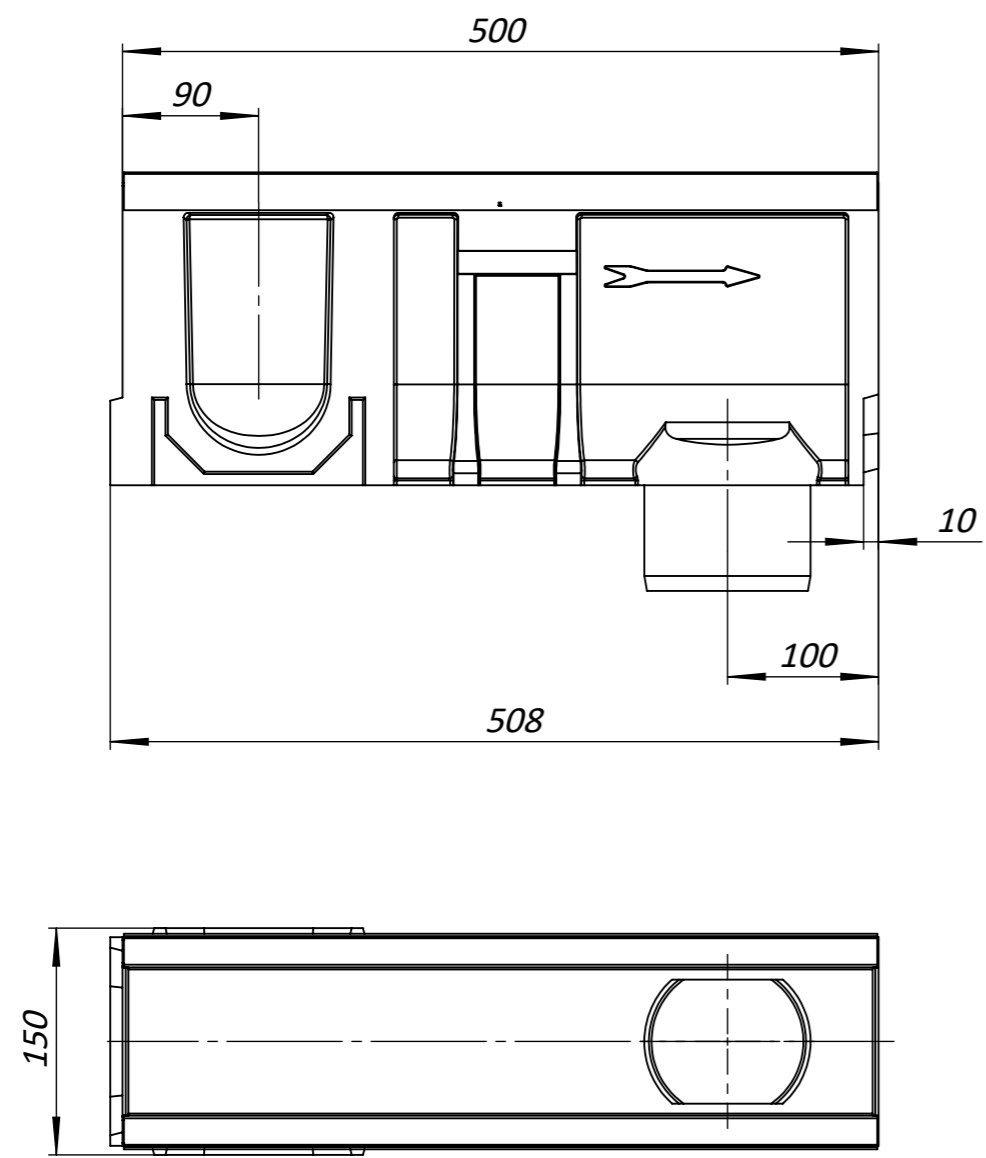
1. Dimensions for reference
2. Delivery and packaging are carried out in accordance with the terms of the contract
3. The manufacturer reserves the right, without notice to the consumer, to make changes to the design of the products for improvement of their technological and operational parameters, which will not affect the quality and properties of the product
4. Deviation of the actual weight of the nominal can be up to 10%.

UNLESS OTHERWISE SPECIFIED: DIMENSIONS ARE IN MILLIMETERS SURFACE FINISH: TOLERANCES: ISO 2768 - C LINEAR: ANGULAR:		FINISH:	DEBURR AND BREAK SHARP EDGES		DO NOT SCALE DRAWING	REVISION
	NAME	SIGNATURE	DATE		TITLE: Polymer Concrete Drain Channel Base DN100 H100 0.5m vertical outlet 110 reinforced C250	
DRAWN	B.MK		04.08.22			
CHK'D	B.VK					
APPV'D	B.IM					
MFG						
Q.A				MATERIAL: Polymer Concrete, Steel	ARTICLE: 70000907.05/100	A3
				WEIGHT: 4.75 kg	SCALE:1:5	SHEET 1 OF 1




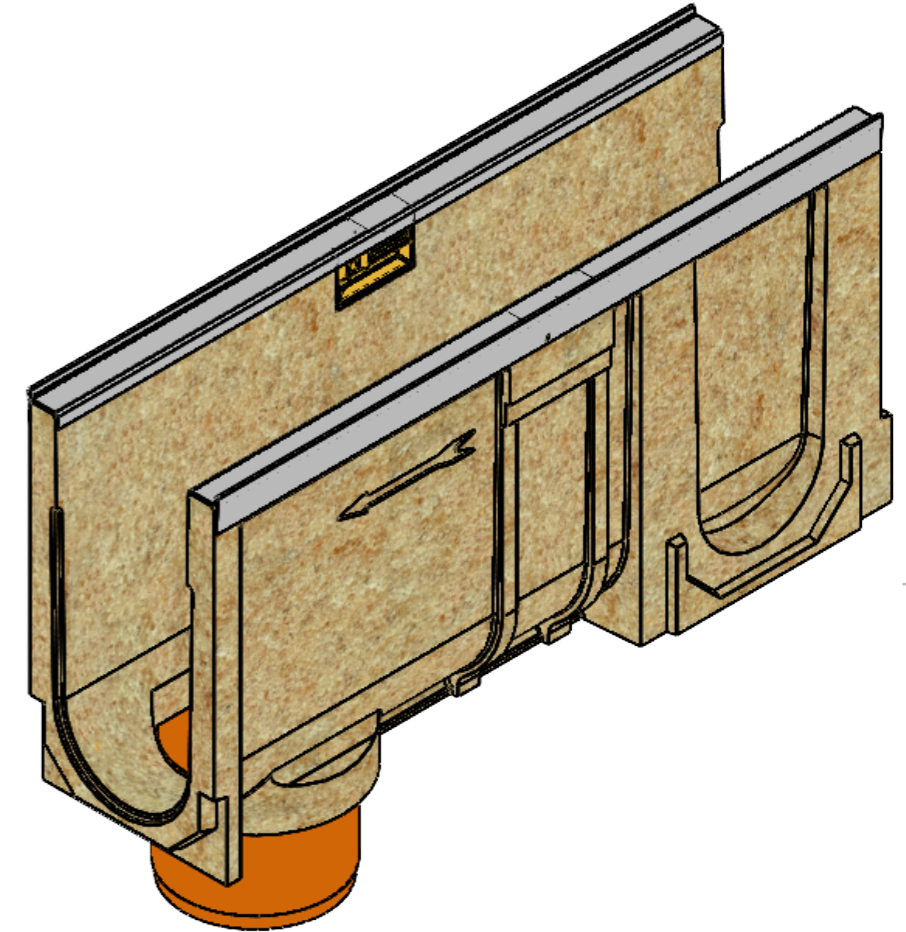
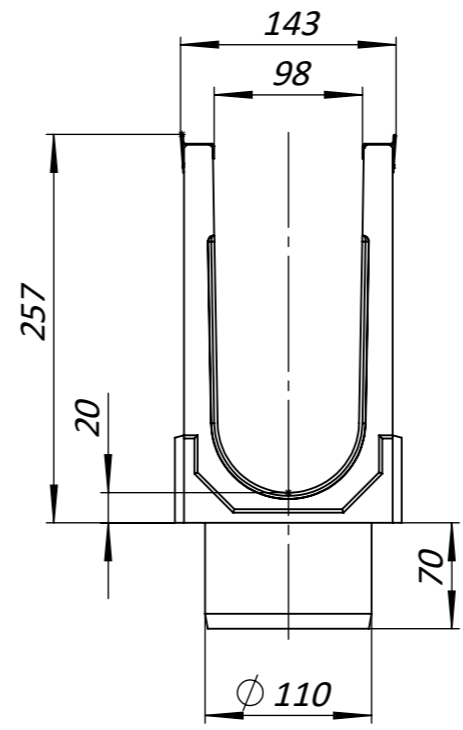
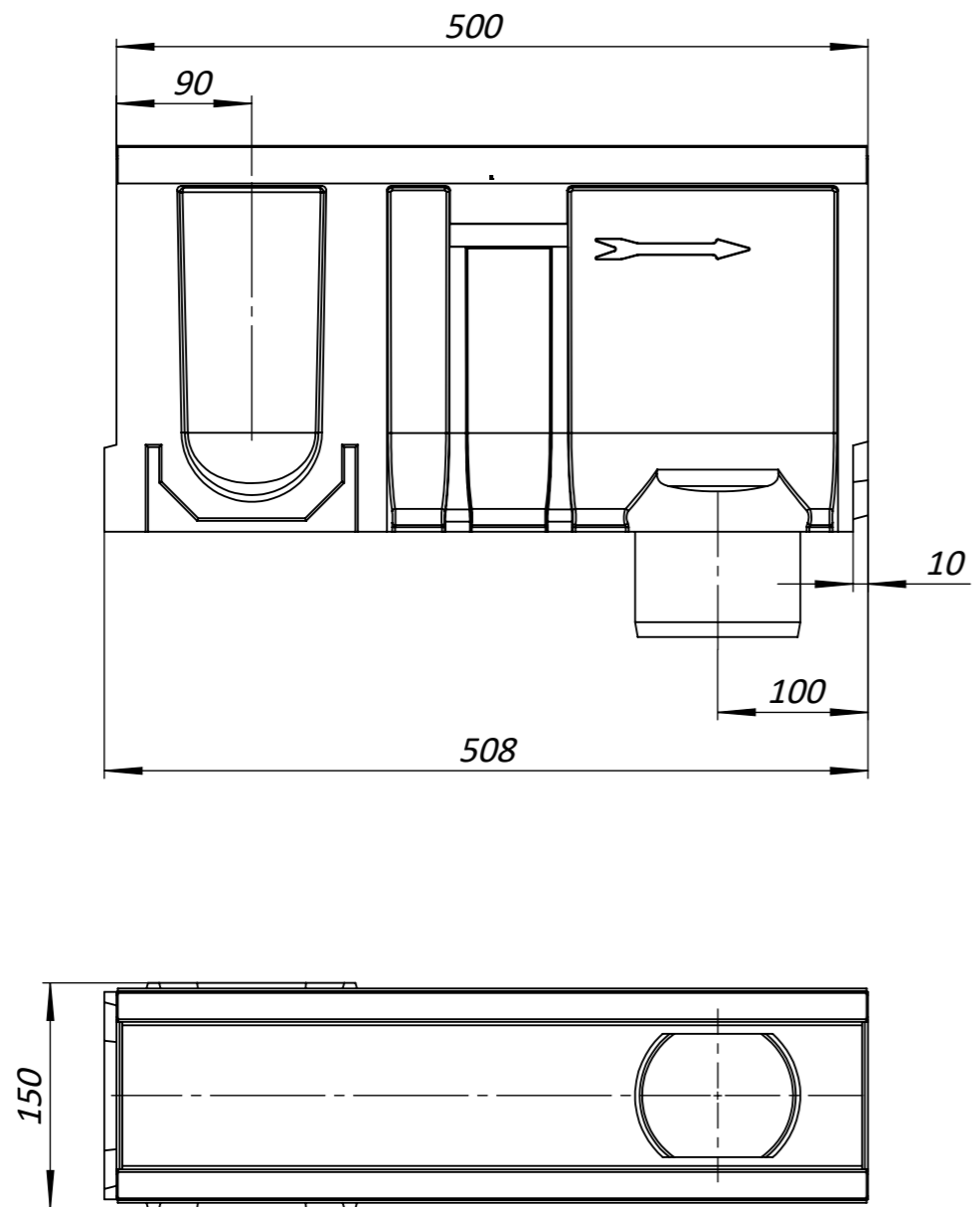
1. Dimensions for reference
2. Delivery and packaging are carried out in accordance with the terms of the contract
3. The manufacturer reserves the right, without notice to the consumer, to make changes to the design of the products for improvement of their technological and operational parameters, which will not affect the quality and properties of the product
4. Deviation of the actual weight of the nominal can be up to 10%.

UNLESS OTHERWISE SPECIFIED: DIMENSIONS ARE IN MILLIMETERS SURFACE FINISH: TOLERANCES: ISO 2768 - C LINEAR: ANGULAR:		FINISH:		DEBURR AND BREAK SHARP EDGES		DO NOT SCALE DRAWING		REVISION		A-01	
DRAWN		NAME		SIGNATURE		DATE		TITLE:			
CHK'D		Kozak				05.08.22		Polymer Concrete Drain Channel Base DN100 H125 0.5m vertical outlet 110 reinforced C250			
APPV'D		Kyselytsia						ARTICLE:			
MFG		Malynovskiy						70000907.05/125			
Q.A								A3			
						MATERIAL:		SCALE:1:5			
						Polymer Concrete, Steel		SHEET 1 OF 1			
						WEIGHT: 5.37 kg					




1. Dimensions for reference
2. Delivery and packaging are carried out in accordance with the terms of the contract
3. The manufacturer reserves the right, without notice to the consumer, to make changes to the design of the products for improvement of their technological and operational parameters, which will not affect the quality and properties of the product
4. Deviation of the actual weight of the nominal can be up to 10%.

UNLESS OTHERWISE SPECIFIED: DIMENSIONS ARE IN MILLIMETERS SURFACE FINISH: TOLERANCES: ISO 2768 - C LINEAR: ANGULAR:			FINISH:		DEBURR AND BREAK SHARP EDGES		DO NOT SCALE DRAWING		REVISION	
										
									TITLE:	
									Polymer Concrete Drain Channel Base DN100 H200 0.5m vertical outlet 110 reinforced C250	
									ARTICLE:	
									70000907.05/200	
									A3	
									SCALE:1:5	
									SHEET 1 OF 1	
									WEIGHT: 8.16 kg	



1. Dimensions for reference
2. Delivery and packaging are carried out in accordance with the terms of the contract
3. The manufacturer reserves the right, without notice to the consumer, to make changes to the design of the products for improvement of their technological and operational parameters, which will not affect the quality and properties of the product
4. Deviation of the actual weight of the nominal can be up to 10%.

UNLESS OTHERWISE SPECIFIED: DIMENSIONS ARE IN MILLIMETERS SURFACE FINISH: TOLERANCES: ISO 2768 - C LINEAR: ANGULAR:		FINISH:		DEBURR AND BREAK SHARP EDGES		DO NOT SCALE DRAWING		REVISION	
DRAWN		Kozak		SIGNATURE		DATE		08.08.22	
CHK'D		Kyselytsia		SIGNATURE		DATE			
APPV'D		Malynovskiy		SIGNATURE		DATE			
MFG				SIGNATURE		DATE			
Q.A				SIGNATURE		DATE			
				MATERIAL:		Polymer Concrete, Steel		ARTICLE:	
				WEIGHT:		9.95 kg		SCALE:1:5	
								SHEET 1 OF 1	
								TITLE:	
								 Polymer Concrete Drain Channel Base DN100 H250 0.5m vertical outlet 110 reinforced C250	
								70000907.05/250 A3	