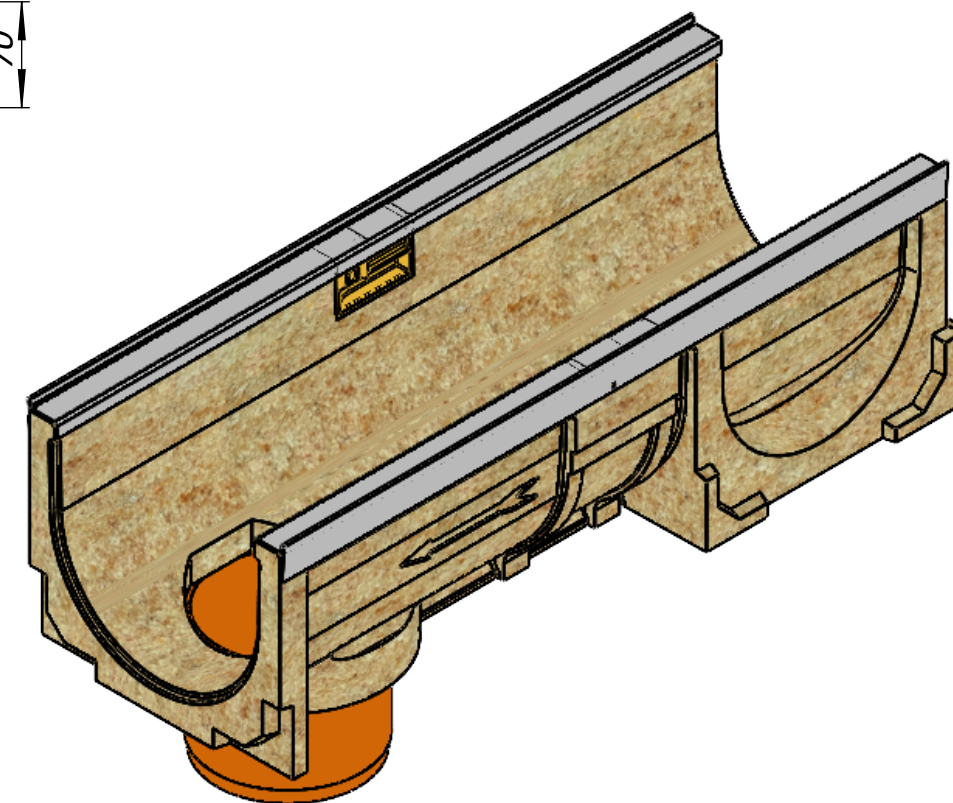
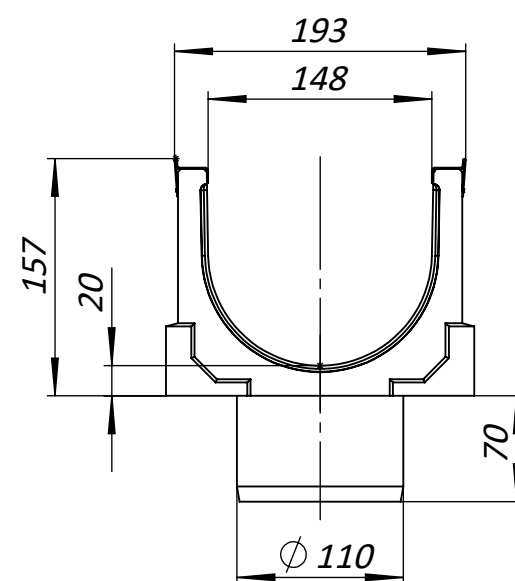
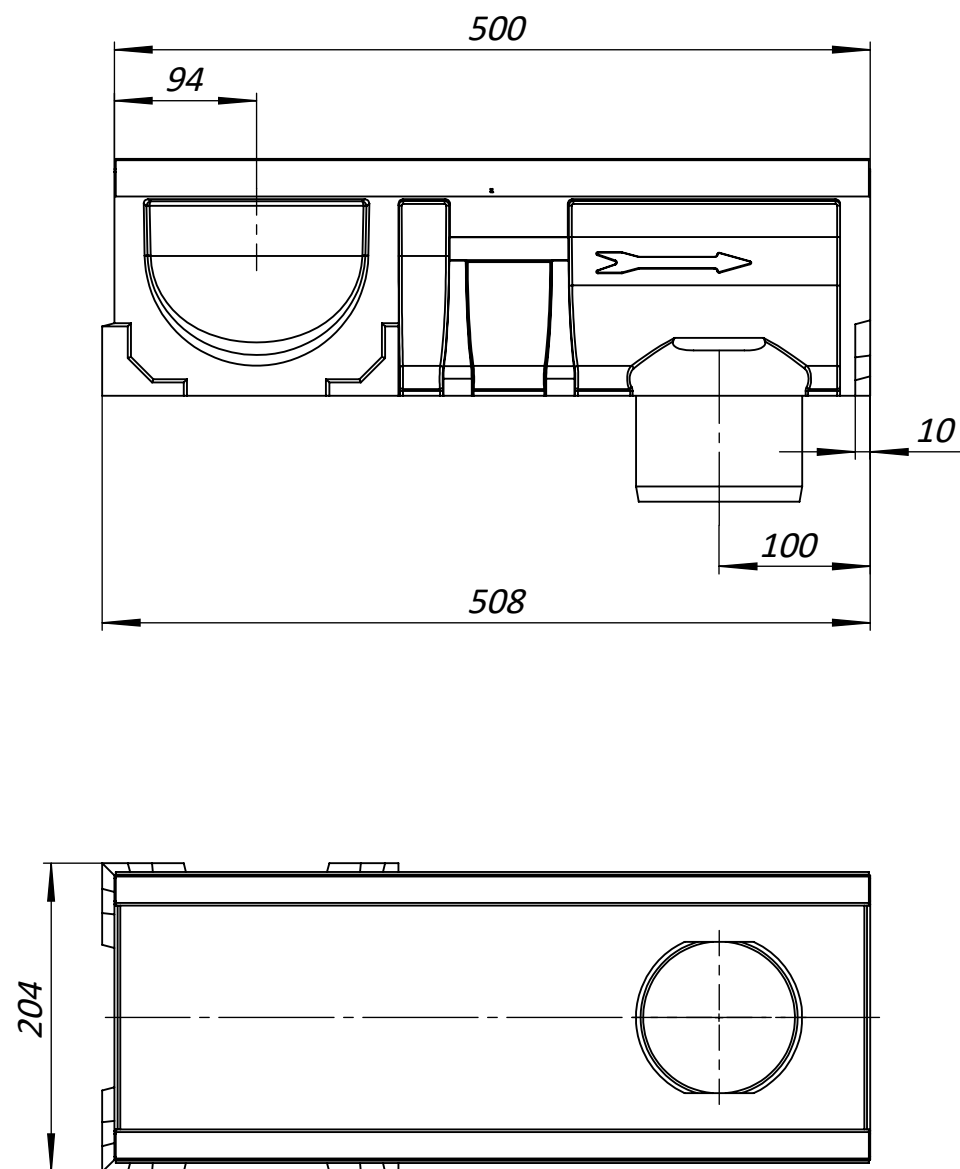



1. Dimensions for reference
2. Delivery and packaging are carried out in accordance with the terms of the contract
3. The manufacturer reserves the right, without notice to the consumer, to make changes to the design of the products for improvement of their technological and operational parameters, which will not affect the quality and properties of the product
4. Deviation of the actual weight of the nominal can be up to 10%.

UNLESS OTHERWISE SPECIFIED: DIMENSIONS ARE IN MILLIMETERS SURFACE FINISH: TOLERANCES: ISO 2768 - C LINEAR: ANGULAR:		FINISH:		DEBURR AND BREAK SHARP EDGES		DO NOT SCALE DRAWING		REVISION	
DRAWN		NAME		SIGNATURE		DATE		TITLE:	
CHK'D		Kozak				08.08.22		Polymer Concrete Drain Channel Base DN150 H100 0.5m vertical outlet 110 reinforced C250	
APPV'D		Kyselytsia						ARTICLE:	
MFG		Malynovskiy						72000907.05/100	
Q.A								A3	
						MATERIAL: Polymer Concrete, Steel		SCALE:1:5	
						WEIGHT: 5.90 kg		SHEET 1 OF 1	



1. Dimensions for reference
2. Delivery and packaging are carried out in accordance with the terms of the contract
3. The manufacturer reserves the right, without notice to the consumer, to make changes to the design of the products for improvement of their technological and operational parameters, which will not affect the quality and properties of the product
4. Deviation of the actual weight of the nominal can be up to 10%.

UNLESS OTHERWISE SPECIFIED: DIMENSIONS ARE IN MILLIMETERS SURFACE FINISH: TOLERANCES: ISO 2768 - C LINEAR: ANGULAR:			FINISH:		DEBURR AND BREAK SHARP EDGES		DO NOT SCALE DRAWING		REVISION		A-01	
									TITLE:		<b>Polymer Concrete Drain Channel Base DN150 H150 0.5m vertical outlet 110 reinforced C250</b>	
									MATERIAL:		72000907.05/150	
									WEIGHT: 7.82 kg		SCALE:1:5	
											SHEET 1 OF 1	

