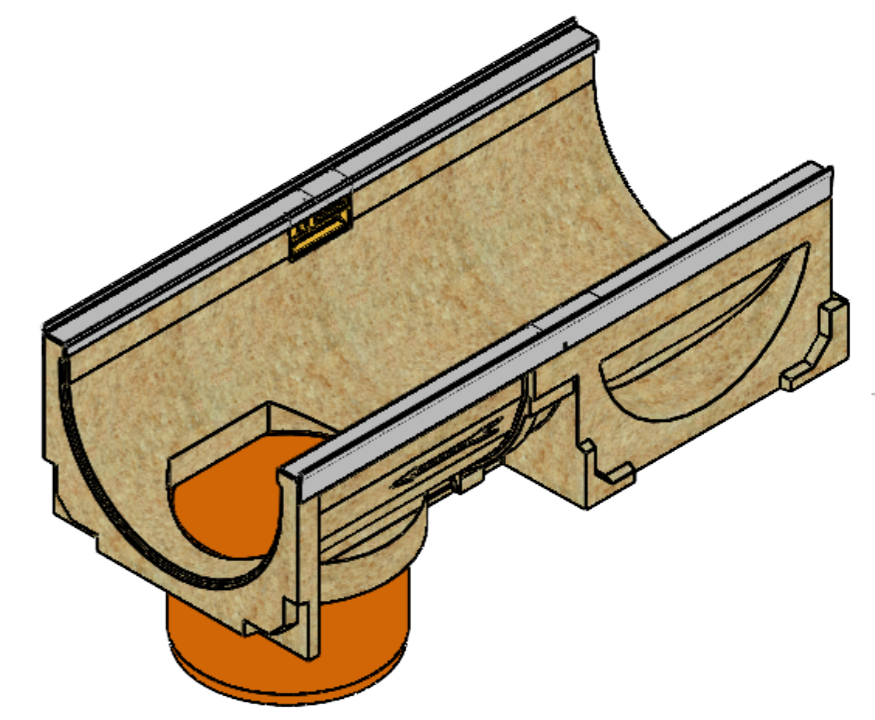
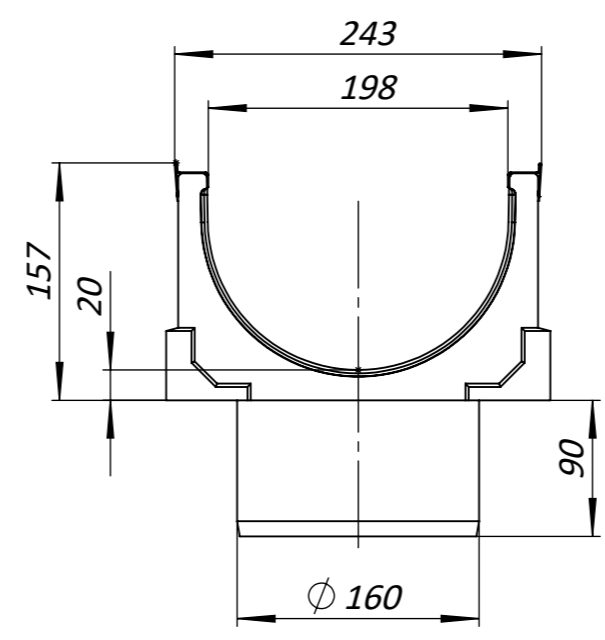
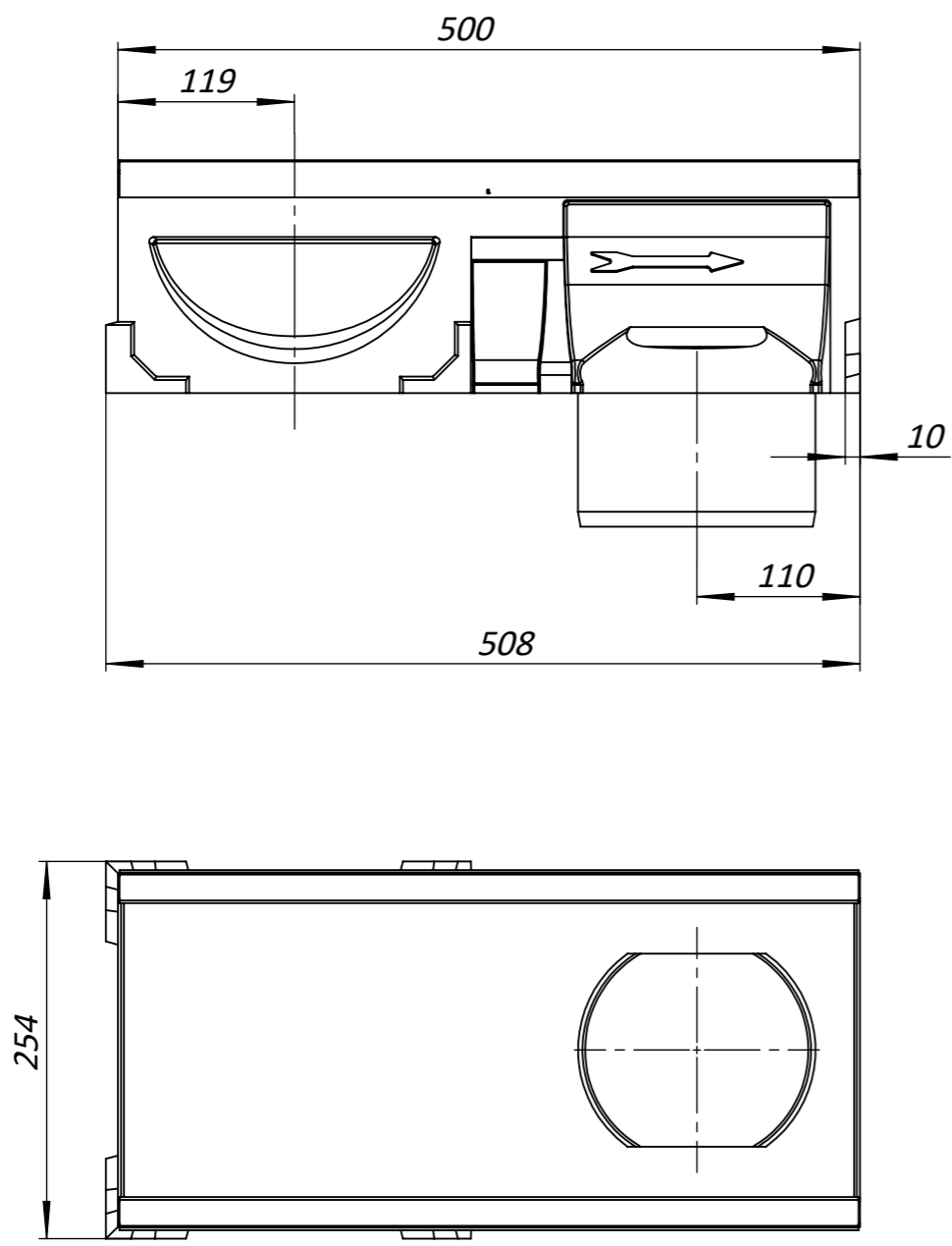



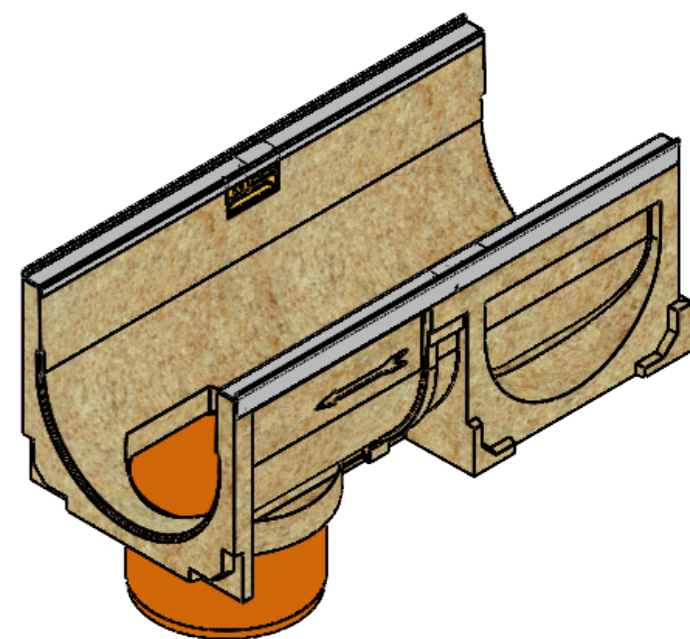
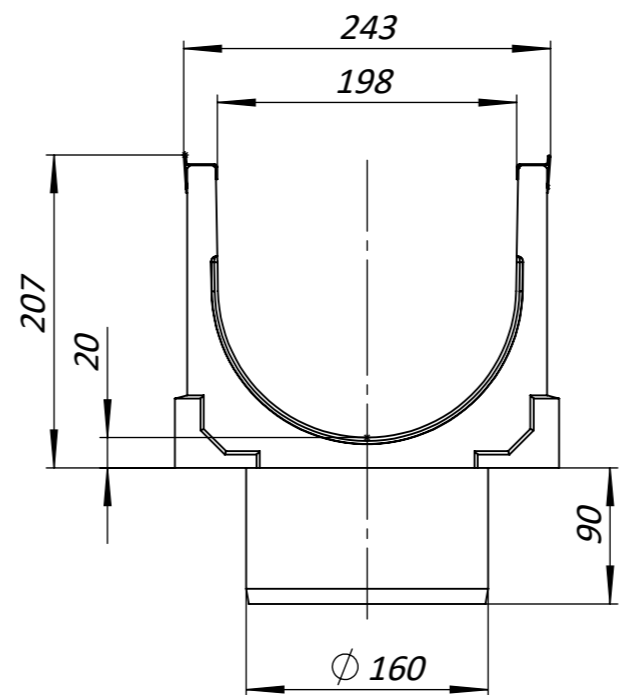
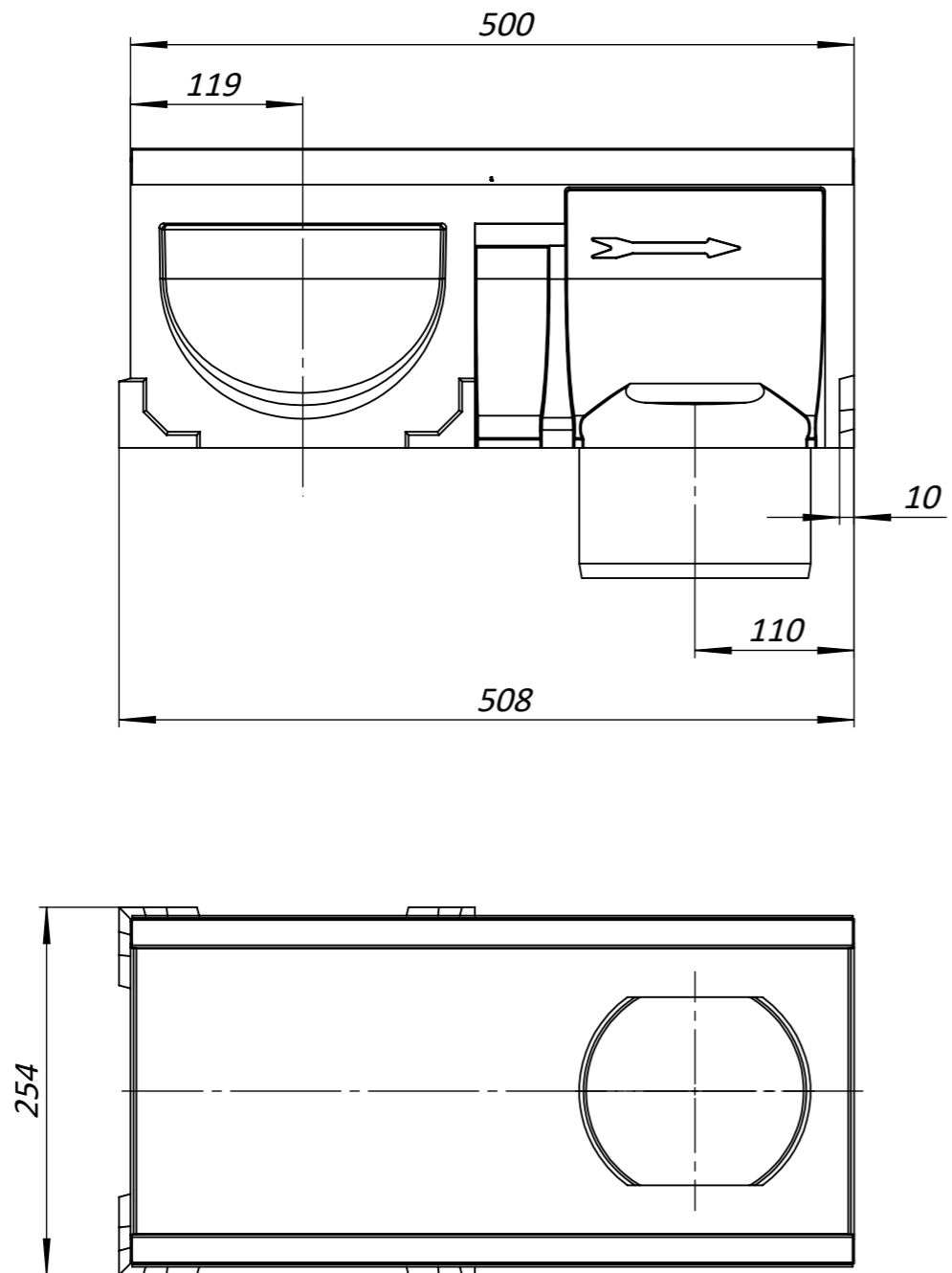
1. Dimensions for reference
2. Delivery and packaging are carried out in accordance with the terms of the contract
3. The manufacturer reserves the right, without notice to the consumer, to make changes to the design of the products for improvement of their technological and operational parameters, which will not affect the quality and properties of the product
4. Deviation of the actual weight of the nominal can be up to 10%.

UNLESS OTHERWISE SPECIFIED: DIMENSIONS ARE IN MILLIMETERS SURFACE FINISH: TOLERANCES: ISO 2768 - C LINEAR: ANGULAR:		FINISH:		DEBURR AND BREAK SHARP EDGES		DO NOT SCALE DRAWING		REVISION	
DRAWN		NAME		SIGNATURE		DATE		TITLE:	
CHK'D		Kozak				15.08.22		Polymer Concrete Drain Channel Base DN200 H100 0.5m vertical outlet 110 reinforced C250	
APPV'D		Kyselytsia						ARTICLE:	
MFG		Malynovskiy						75000907.05/100	
Q.A								A3	
						MATERIAL: Polymer Concrete, Steel		SCALE:1:5	
						WEIGHT: 7.08 kg		SHEET 1 OF 1	



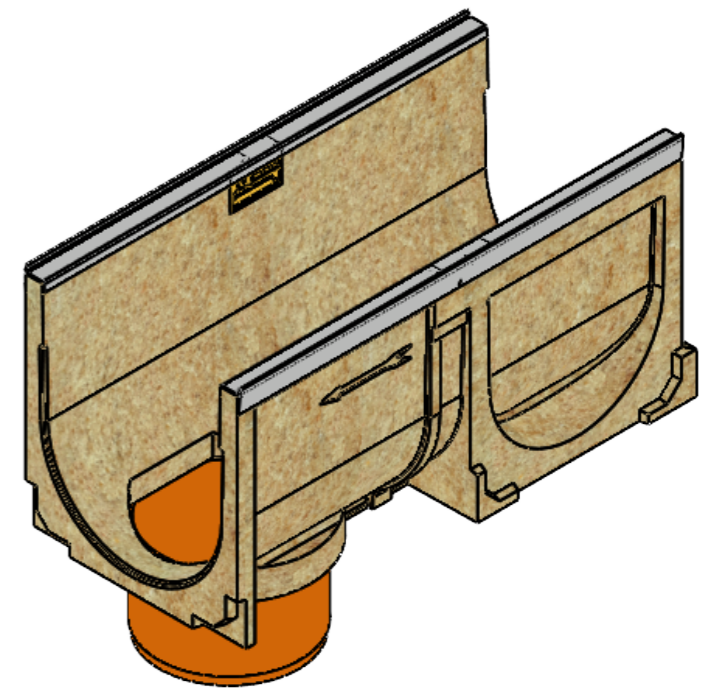
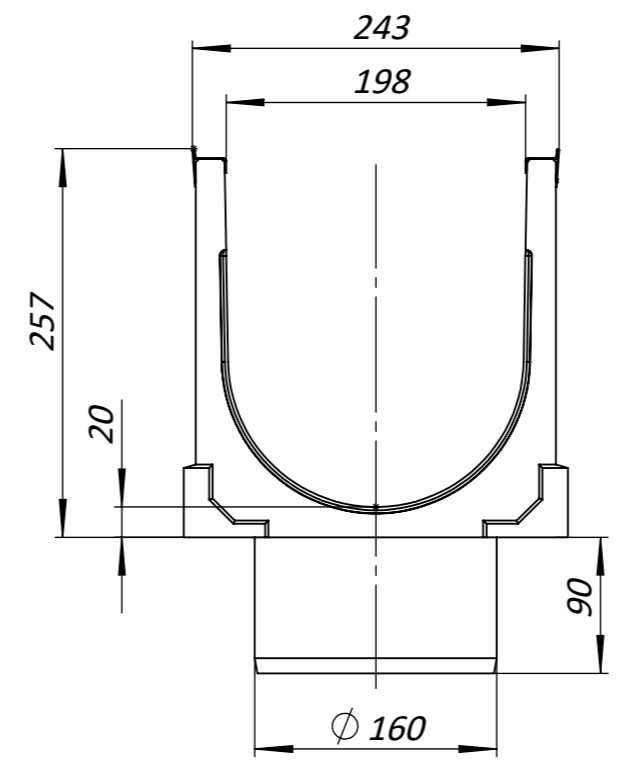
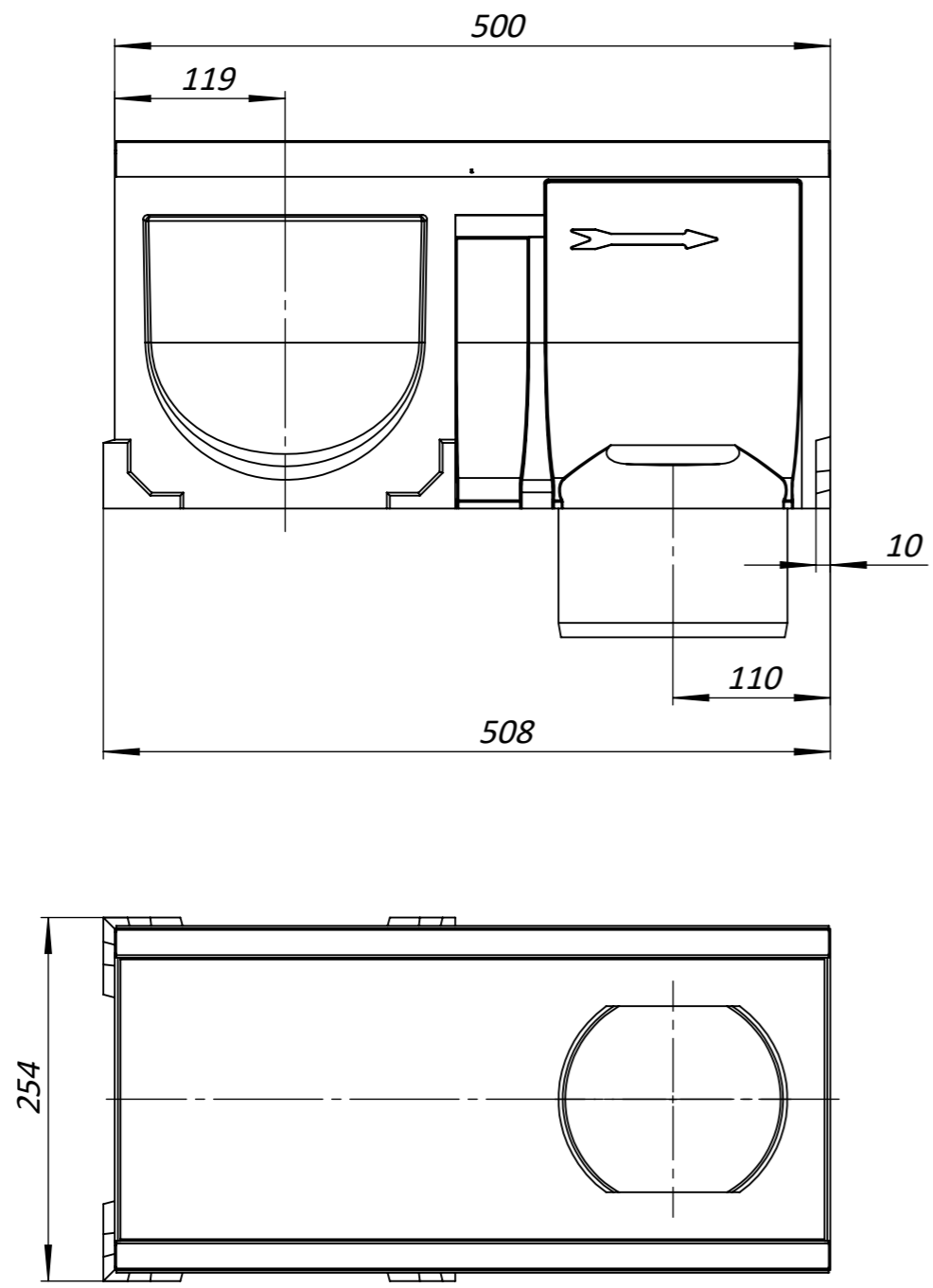
1. Dimensions for reference
2. Delivery and packaging are carried out in accordance with the terms of the contract
3. The manufacturer reserves the right, without notice to the consumer, to make changes to the design of the products for improvement of their technological and operational parameters, which will not affect the quality and properties of the product
4. Deviation of the actual weight of the nominal can be up to 10%.

UNLESS OTHERWISE SPECIFIED: DIMENSIONS ARE IN MILLIMETERS SURFACE FINISH: TOLERANCES: ISO 2768 - C LINEAR: ANGULAR:			FINISH:		DEBURR AND BREAK SHARP EDGES		DO NOT SCALE DRAWING		REVISION	
										
									TITLE:	
									Polymer Concrete Drain Channel Base DN200 H150 0.5m vertical outlet 160 reinforced C250	
									ARTICLE:	
									75000907.05/150	
									A3	
									SCALE:1:5	
									SHEET 1 OF 1	
									WEIGHT: 9.77 kg	




1. Dimensions for reference
2. Delivery and packaging are carried out in accordance with the terms of the contract
3. The manufacturer reserves the right, without notice to the consumer, to make changes to the design of the products for improvement of their technological and operational parameters, which will not affect the quality and properties of the product
4. Deviation of the actual weight of the nominal can be up to 10%.

UNLESS OTHERWISE SPECIFIED: DIMENSIONS ARE IN MILLIMETERS SURFACE FINISH: TOLERANCES: ISO 2768 - C LINEAR: ANGULAR:			FINISH:		DEBURR AND BREAK SHARP EDGES		DO NOT SCALE DRAWING		REVISION		
DRAWN			NAME		SIGNATURE		DATE		TITLE:		
CHK'D			Kozak				15.08.22		Polymer Concrete Drain Channel Base DN200 H200 0.5m vertical outlet 160 reinforced C250		
APPV'D			Kyselytsia						ARTICLE:		
MFG			Malynovskiy						75000907.05/200		
Q.A									A3		
							MATERIAL: Polymer Concrete, Steel		SCALE:1:5		
							WEIGHT: 11.12 kg		SHEET 1 OF 1		



1. Dimensions for reference
2. Delivery and packaging are carried out in accordance with the terms of the contract
3. The manufacturer reserves the right, without notice to the consumer, to make changes to the design of the products for improvement of their technological and operational parameters, which will not affect the quality and properties of the product
4. Deviation of the actual weight of the nominal can be up to 10%.

UNLESS OTHERWISE SPECIFIED: DIMENSIONS ARE IN MILLIMETERS SURFACE FINISH: TOLERANCES: ISO 2768 - C LINEAR: ANGULAR:			FINISH:		DEBURR AND BREAK SHARP EDGES		DO NOT SCALE DRAWING		REVISION	
										
									TITLE:	
									Polymer Concrete Drain Channel Base DN200 H250 0.5m vertical outlet 160 reinforced C250	
									ARTICLE:	
									75000907.05/250	
									A3	
									SCALE:1:5	
									SHEET 1 OF 1	

	NAME	SIGNATURE	DATE
DRAWN	Kozak		16.08.22
CHK'D	Kyselytsia		
APPV'D	Malynovskiy		
MFG			
Q.A			

MATERIAL:
Polymer Concrete, Steel

WEIGHT: 12.64 kg