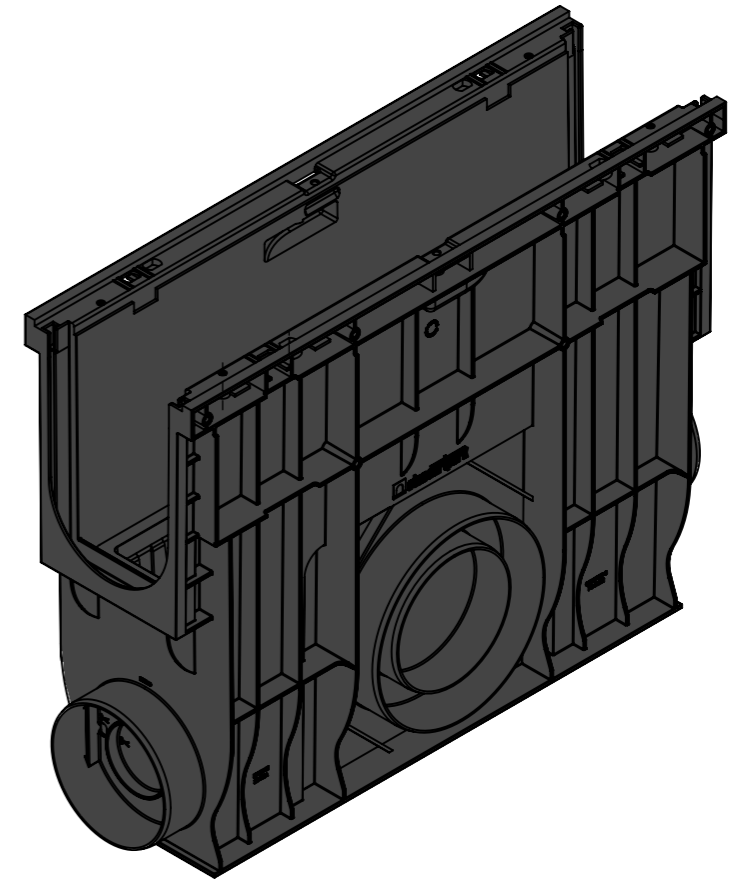
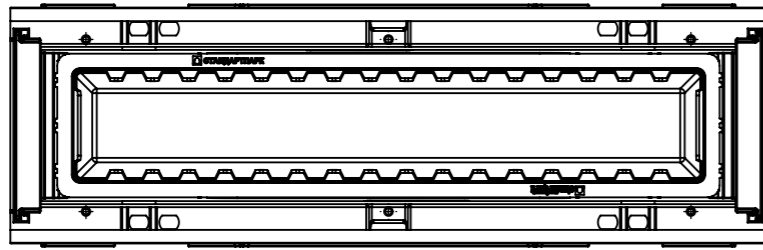
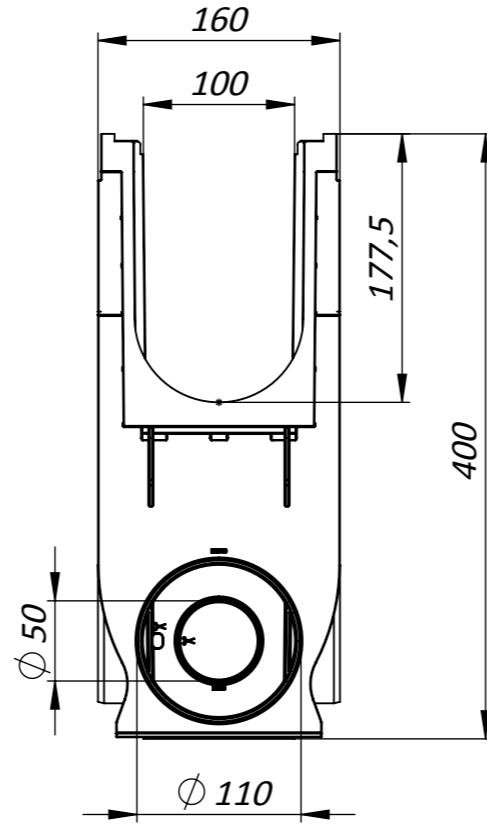
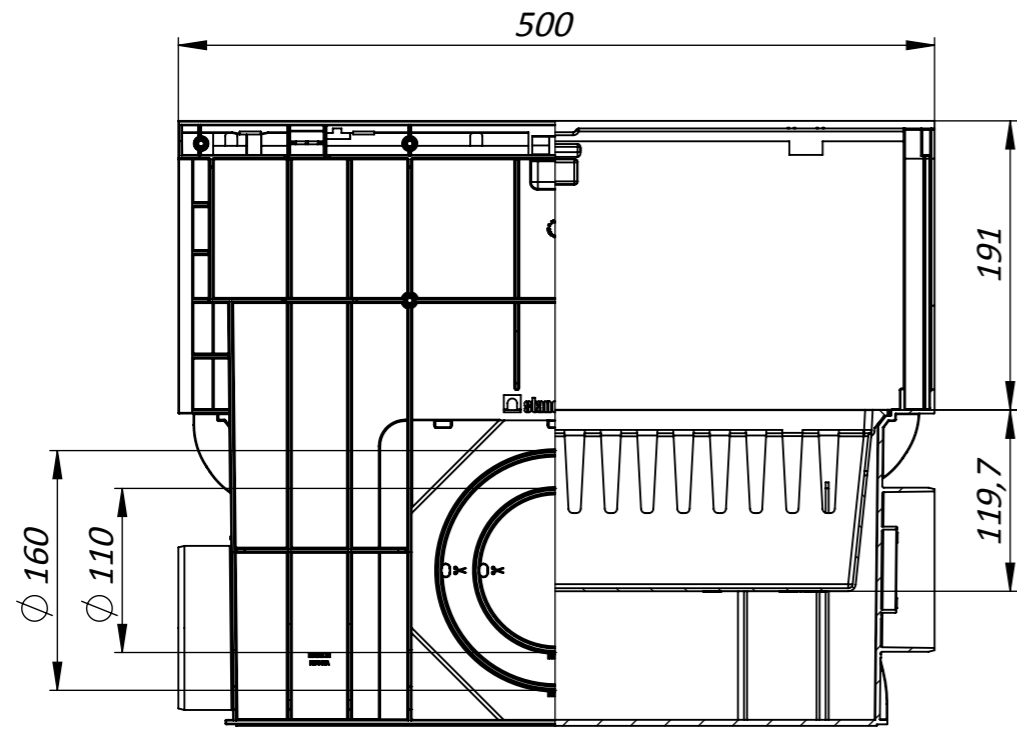


Primary Usage

Reference No.

PU-10.16.40-PP 8080-M



Deviation of the actual weight of the nominal can be up to 10%

Sign. and date

Copy inv. No.

Repl. Inv. No.

Sign. and date

Orig. Inv. No.

					Art.	8080-M				
					<b>PU-10.16.40-PP 8080-M</b>					
					<b>Plastic Sand Trap</b>			Let.	Weight	Scale
					<b>Load Class C</b>				2.42	1:5
								Sheet	Sheets 1	
					<b>Plastic</b>			