
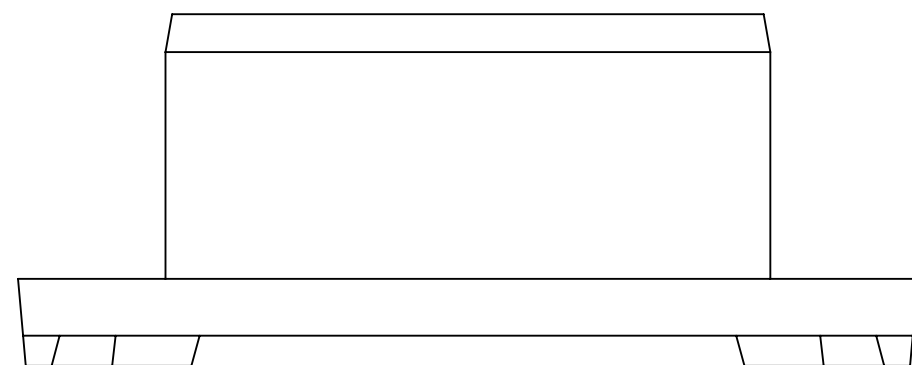
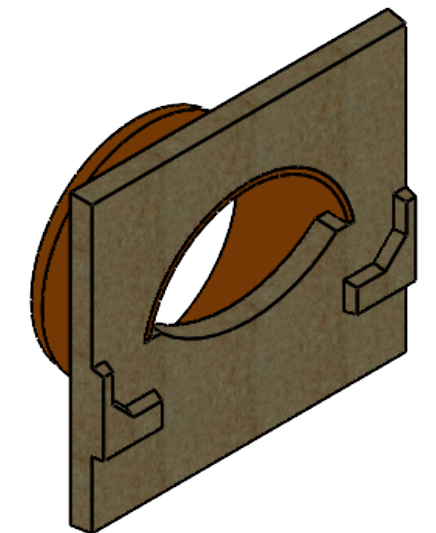
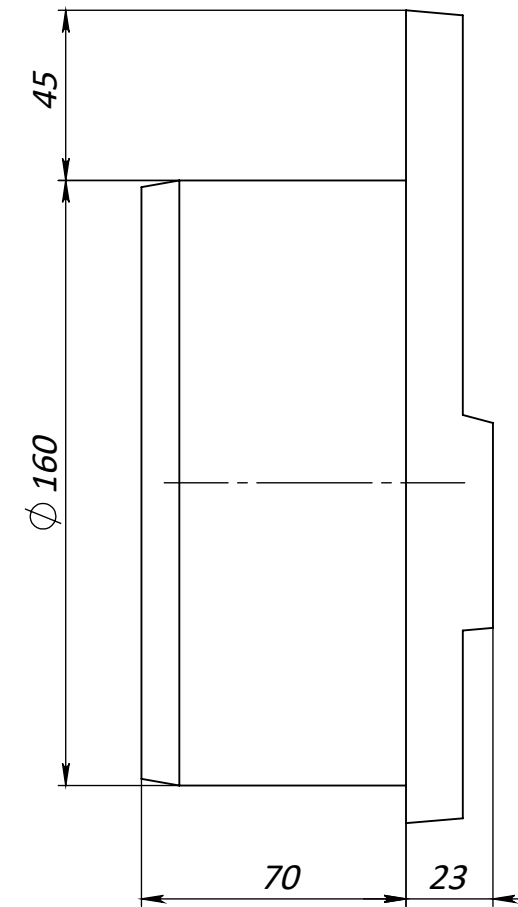
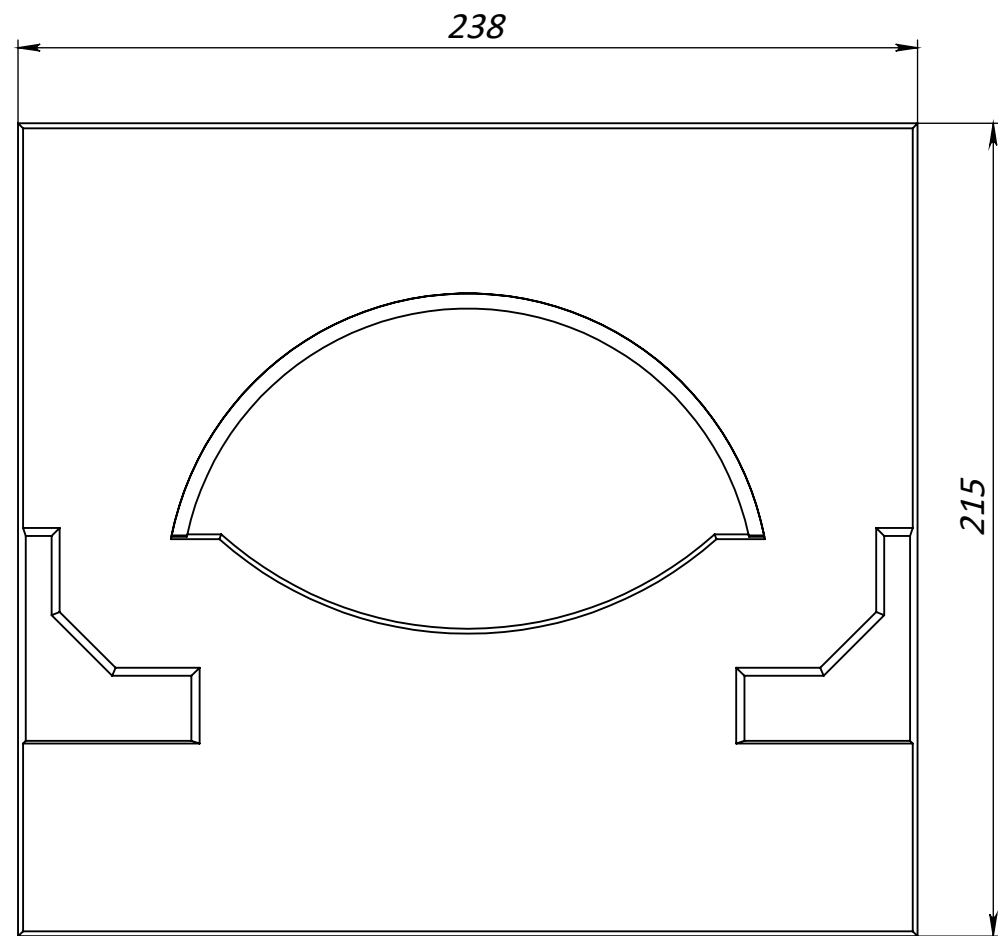


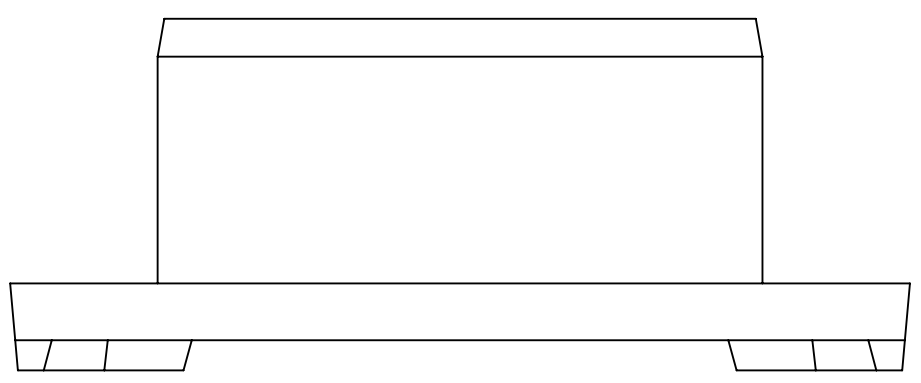
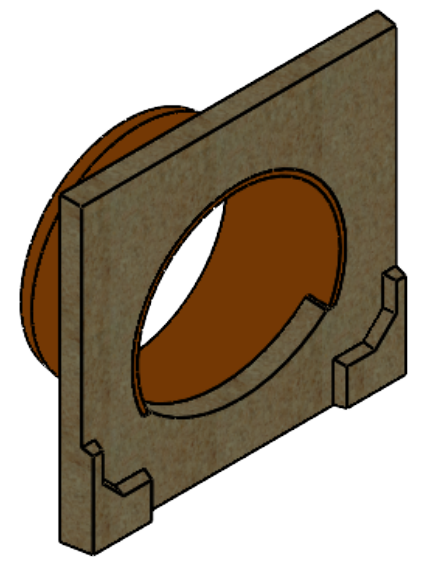
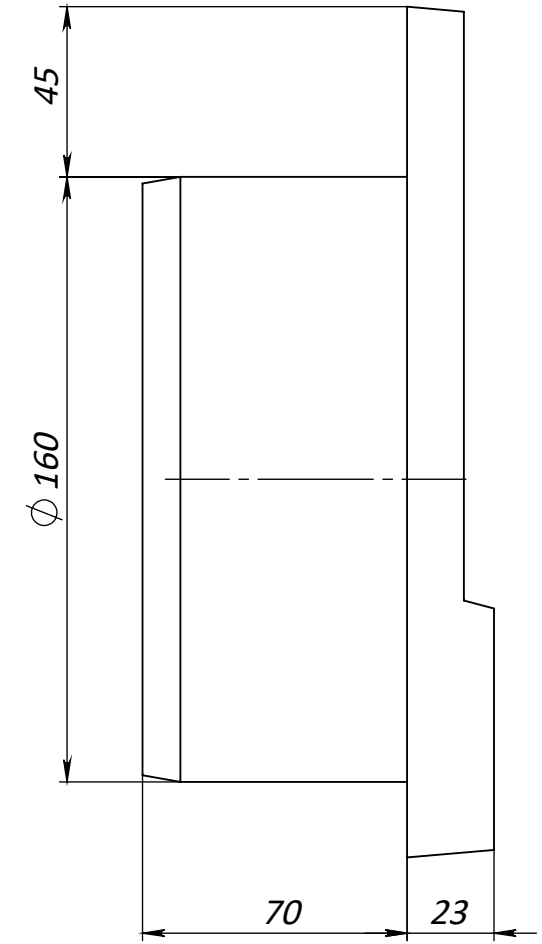
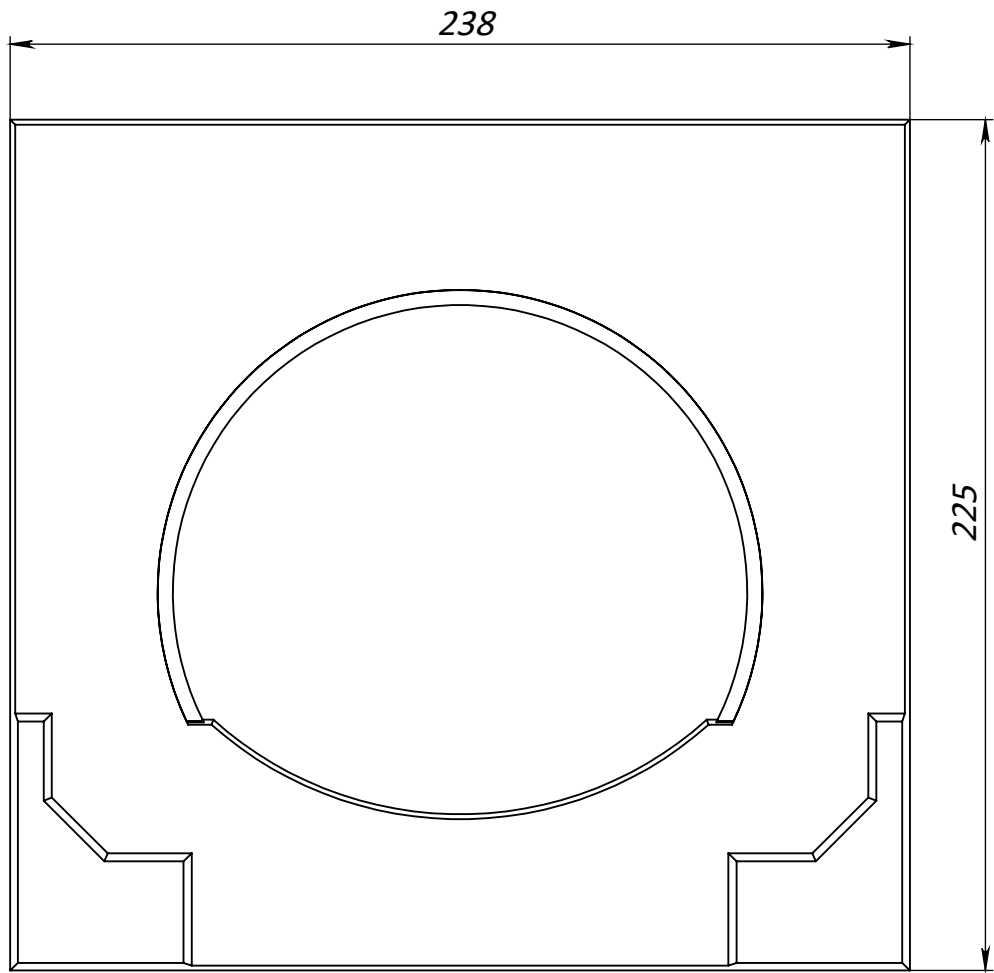
1. *Dimensions for reference*
2. *Delivery and packaging are carried out in accordance with the terms of the contract*
3. *The manufacturer reserves the right, without notice to the consumer, to make changes to the design of the products for improvement of their technological and operational parameters, which will not affect the quality and properties of the product*
4. *Deviation of the actual weight of the nominal can be up to 10%.*

UNLESS OTHERWISE SPECIFIED: DIMENSIONS ARE IN MILLIMETERS SURFACE FINISH: TOLERANCES: ISO 2768 - C LINEAR: ANGULAR:			FINISH:		DEBURR AND BREAK SHARP EDGES		DO NOT SCALE DRAWING		REVISION	
										
									TITLE:	
									Polymer Concrete End Cap with outlet 110 for Polymer Concrete Channel Base DN200 H100	
									ARTICLE:	
									67512709/100	
									A3	
									SCALE:1:2	
									SHEET 1 OF 1	
									WEIGHT: 0.53 kg	




1. *Dimensions for reference*
2. *Delivery and packaging are carried out in accordance with the terms of the contract*
3. *The manufacturer reserves the right, without notice to the consumer, to make changes to the design of the products for improvement of their technological and operational parameters, which will not affect the quality and properties of the product*
4. *Deviation of the actual weight of the nominal can be up to 10%.*

UNLESS OTHERWISE SPECIFIED: DIMENSIONS ARE IN MILLIMETERS SURFACE FINISH: TOLERANCES: ISO 2768 - C LINEAR: ANGULAR:		FINISH:		DEBURR AND BREAK SHARP EDGES		DO NOT SCALE DRAWING		REVISION	
DRAWN		Kozak		SIGNATURE		DATE		10.04.23	
CHK'D		Kyselytsia		SIGNATURE		DATE			
APPV'D		Malynovskiy		SIGNATURE		DATE			
MFG				SIGNATURE		DATE			
Q.A				SIGNATURE		DATE			
				MATERIAL:		Polymer Concrete		TITLE: Polymer Concrete End Cap with outlet 160 for Polymer Concrete Channel Base DN200 H150	
				WEIGHT: 1.50 kg		SCALE: 1:2		ARTICLE: 67512709/150	
								A3	
								SHEET 1 OF 1	



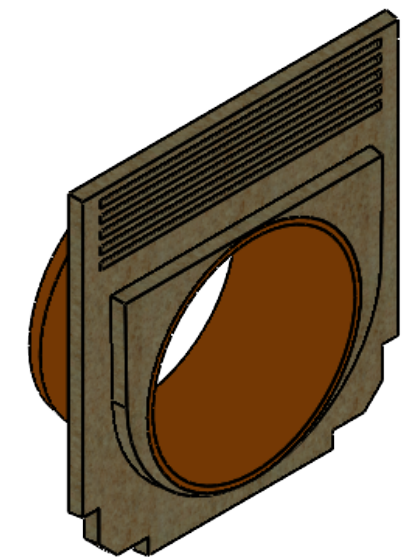
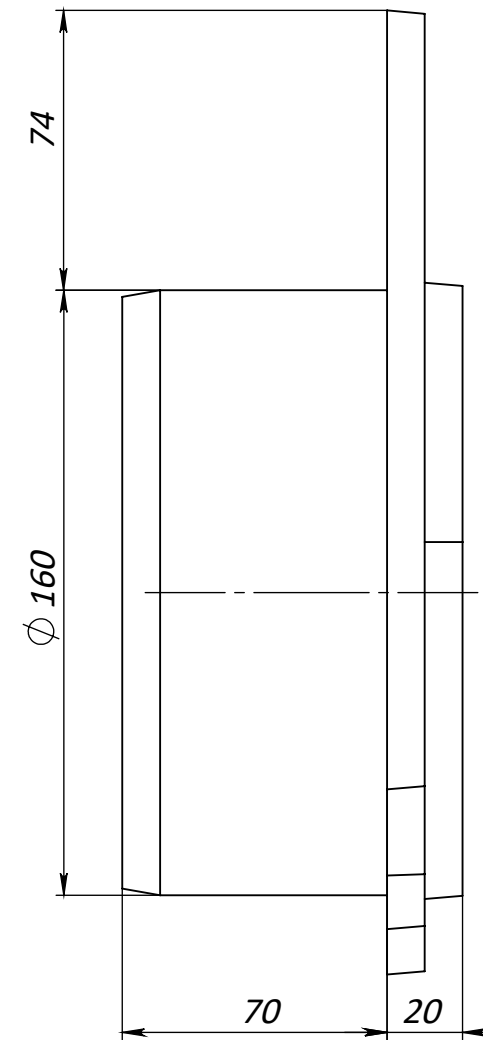
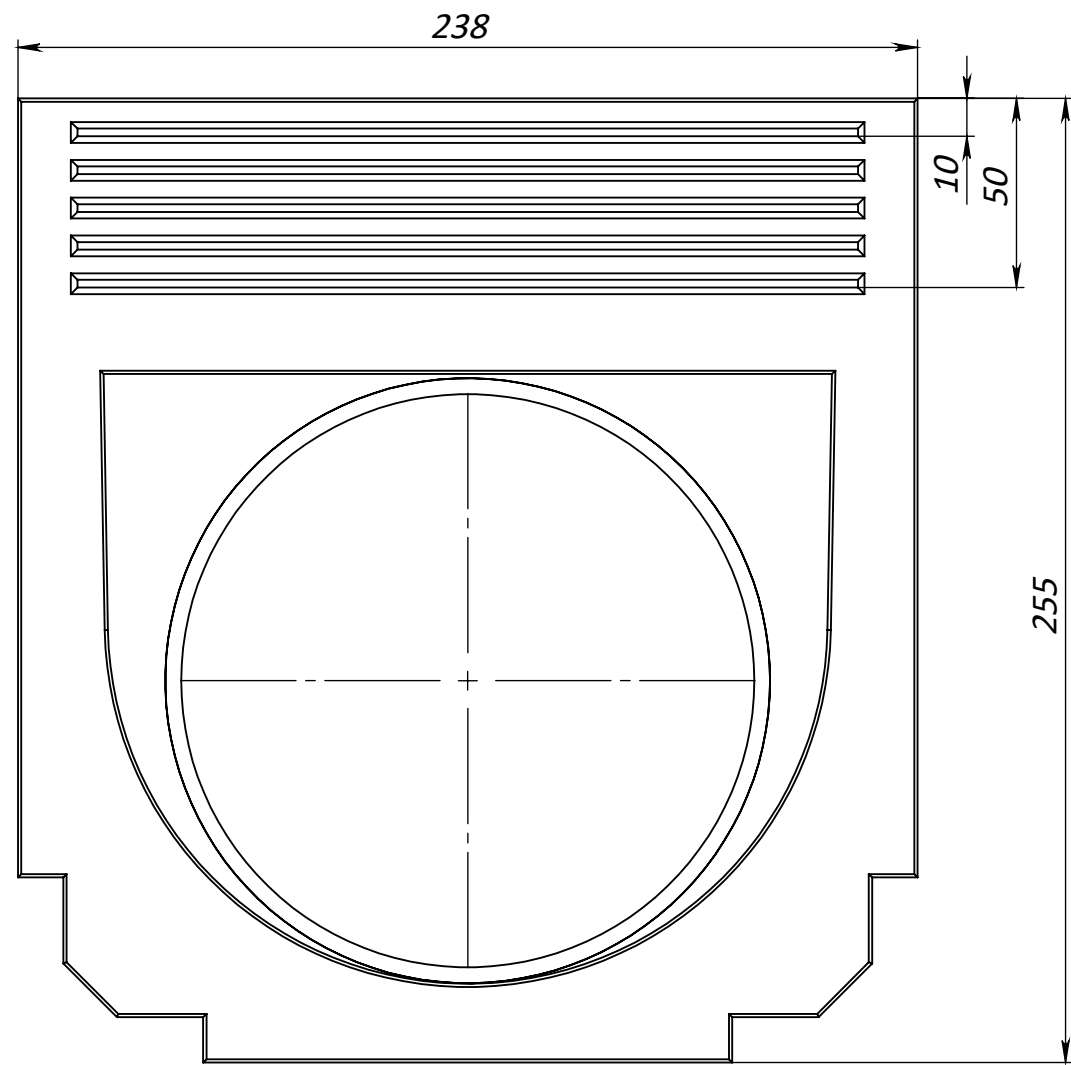
1. Dimensions for reference
2. Delivery and packaging are carried out in accordance with the terms of the contract
3. The manufacturer reserves the right, without notice to the consumer, to make changes to the design of the products for improvement of their technological and operational parameters, which will not affect the quality and properties of the product
4. Deviation of the actual weight of the nominal can be up to 10%.

UNLESS OTHERWISE SPECIFIED: DIMENSIONS ARE IN MILLIMETERS SURFACE FINISH: TOLERANCES: ISO 2768 - C LINEAR: ANGULAR:		FINISH:		DEBURR AND BREAK SHARP EDGES		DO NOT SCALE DRAWING		REVISION	
									
								TITLE:	
DRAWN		Kozak		SIGNATURE		DATE		10.04.23	
CHK'D		Kyselytsia							
APPV'D		Malynovskiy							
MFG									
Q.A									
						MATERIAL:		ARTICLE:	
						Polymer Concrete		67512709/200	
						WEIGHT: 1.35 kg		SCALE: 1:2	
								SHEET 1 OF 1	


Polymer Concrete End Cap with outlet 160 for Polymer Concrete Channel Base DN200 H200

67512709/200

A3



1. Dimensions for reference
2. Delivery and packaging are carried out in accordance with the terms of the contract
3. The manufacturer reserves the right, without notice to the consumer, to make changes to the design of the products for improvement of their technological and operational parameters, which will not affect the quality and properties of the product
4. Deviation of the actual weight of the nominal can be up to 10%.

UNLESS OTHERWISE SPECIFIED: DIMENSIONS ARE IN MILLIMETERS SURFACE FINISH: TOLERANCES: ISO 2768 - C LINEAR: ANGULAR:		FINISH:		DEBURR AND BREAK SHARP EDGES		DO NOT SCALE DRAWING		REVISION	
									
								TITLE:	
DRAWN		NAME		SIGNATURE		DATE		Polymer Concrete End Cap with outlet 160 for Polymer Concrete Channel Base DN200 H250	
CHK'D		Kozak				10.04.23		ARTICLE:	
APPV'D		Kyselytsia						67512709/250	
MFG		Malynovskiy						A3	
Q.A								SCALE:1:2	
						MATERIAL:		SHEET 1 OF 1	
						Polymer Concrete			
						WEIGHT: 1.13 kg			