


1. Deviation of the actual weight of the nominal can be up to 8%

UNLESS OTHERWISE SPECIFIED: DIMENSIONS ARE IN MILLIMETERS SURFACE FINISH: TOLERANCES: 2768-c LINEAR: ANGULAR:			FINISH:		DEBURR AND BREAK SHARP EDGES		DO NOT SCALE DRAWING		REVISION			
												
DRAWN			L/L		04.07.22				TITLE:		Plastic channel Base DN100 H60	
CHK'D			LMK								Load class: C250	
APPV'D									ARTICLE:		80060	
MFG									MATERIAL:		Plastic	
Q.A							WEIGHT: 1.09 kg		SCALE: 1:5			
									SHEET 1 OF 1			



Plastic channel Base DN100 H60

Load class: C250

80060

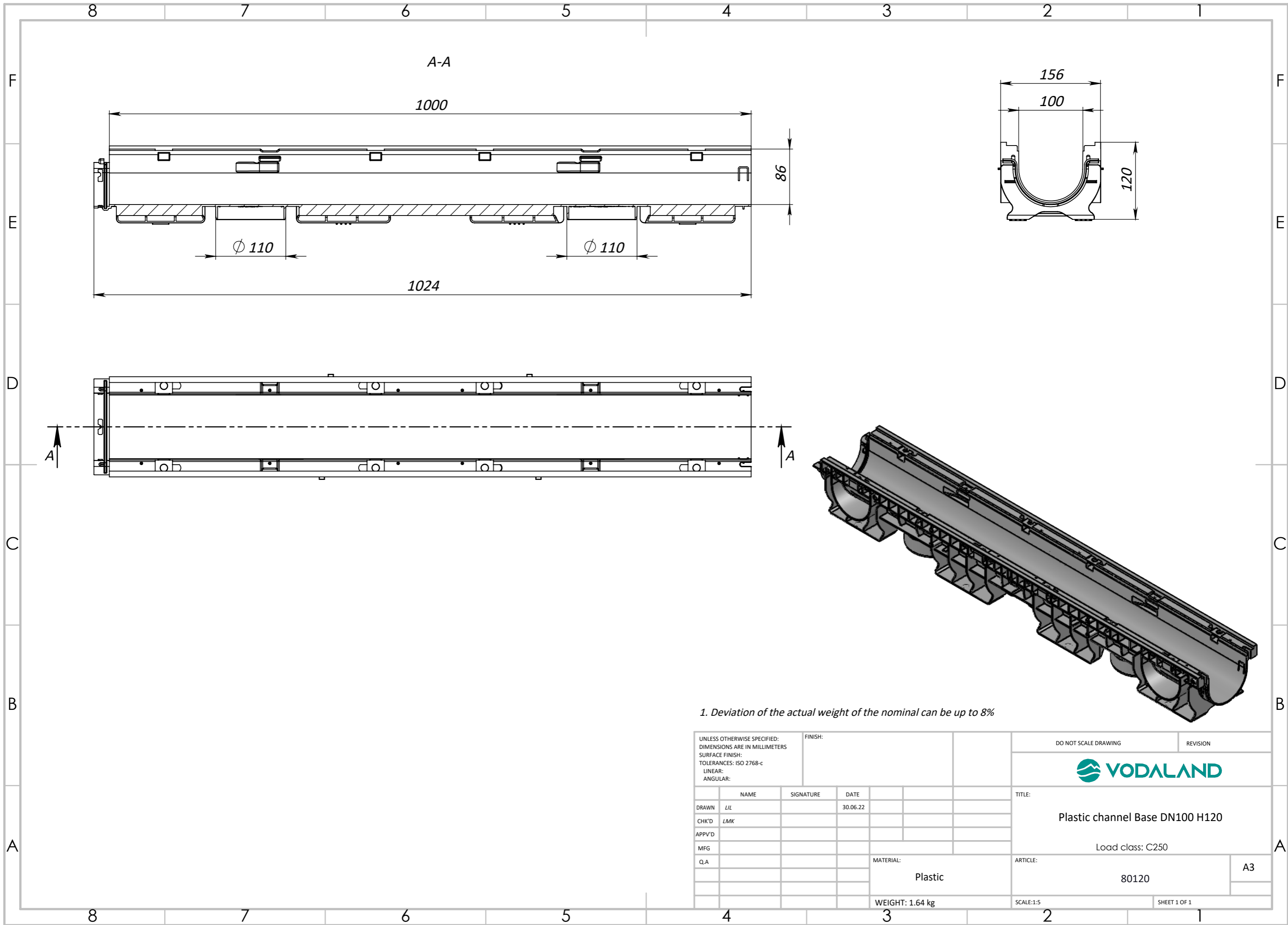
A3

WEIGHT: 1.09 kg

SCALE: 1:5

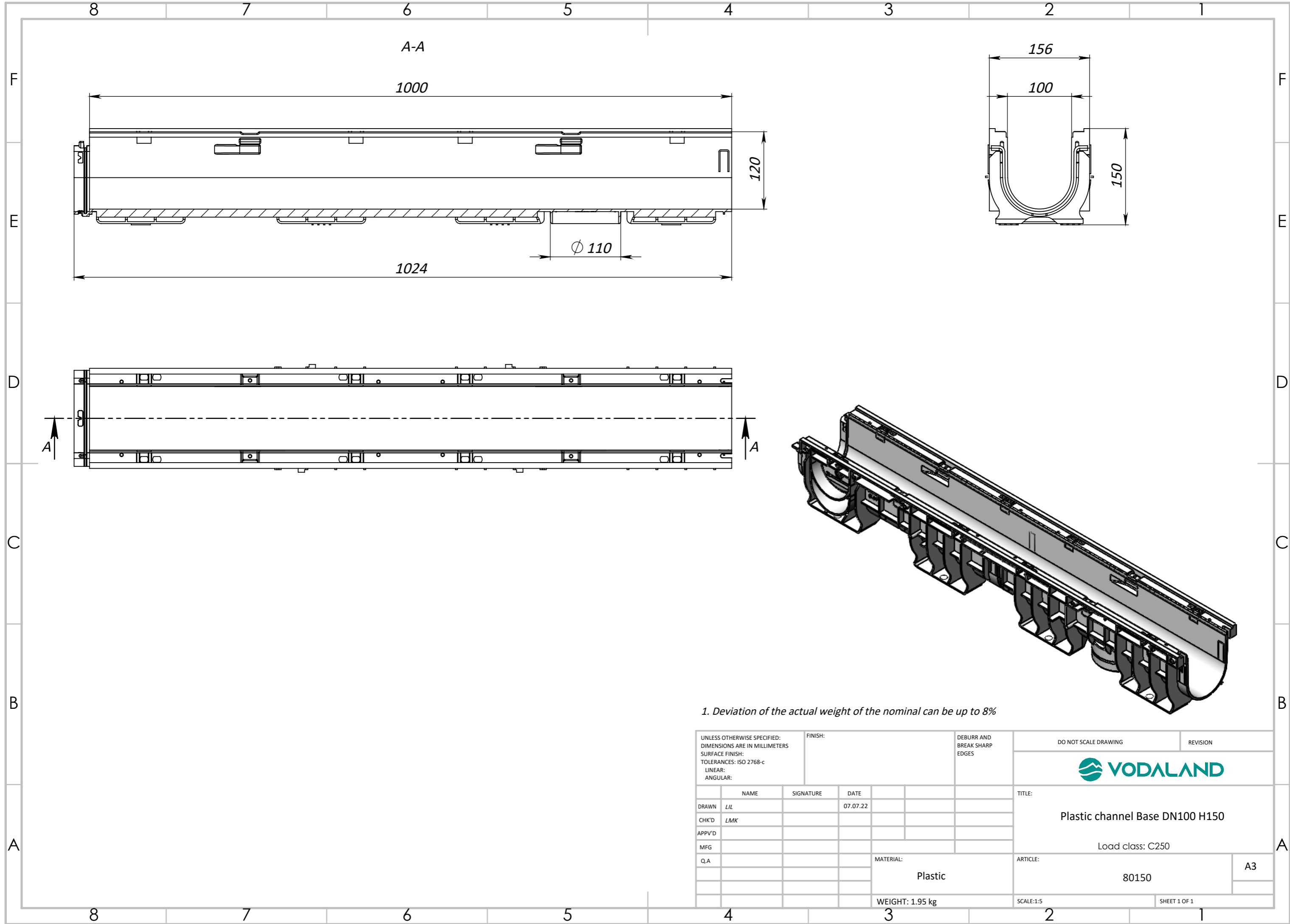
SHEET 1 OF 1





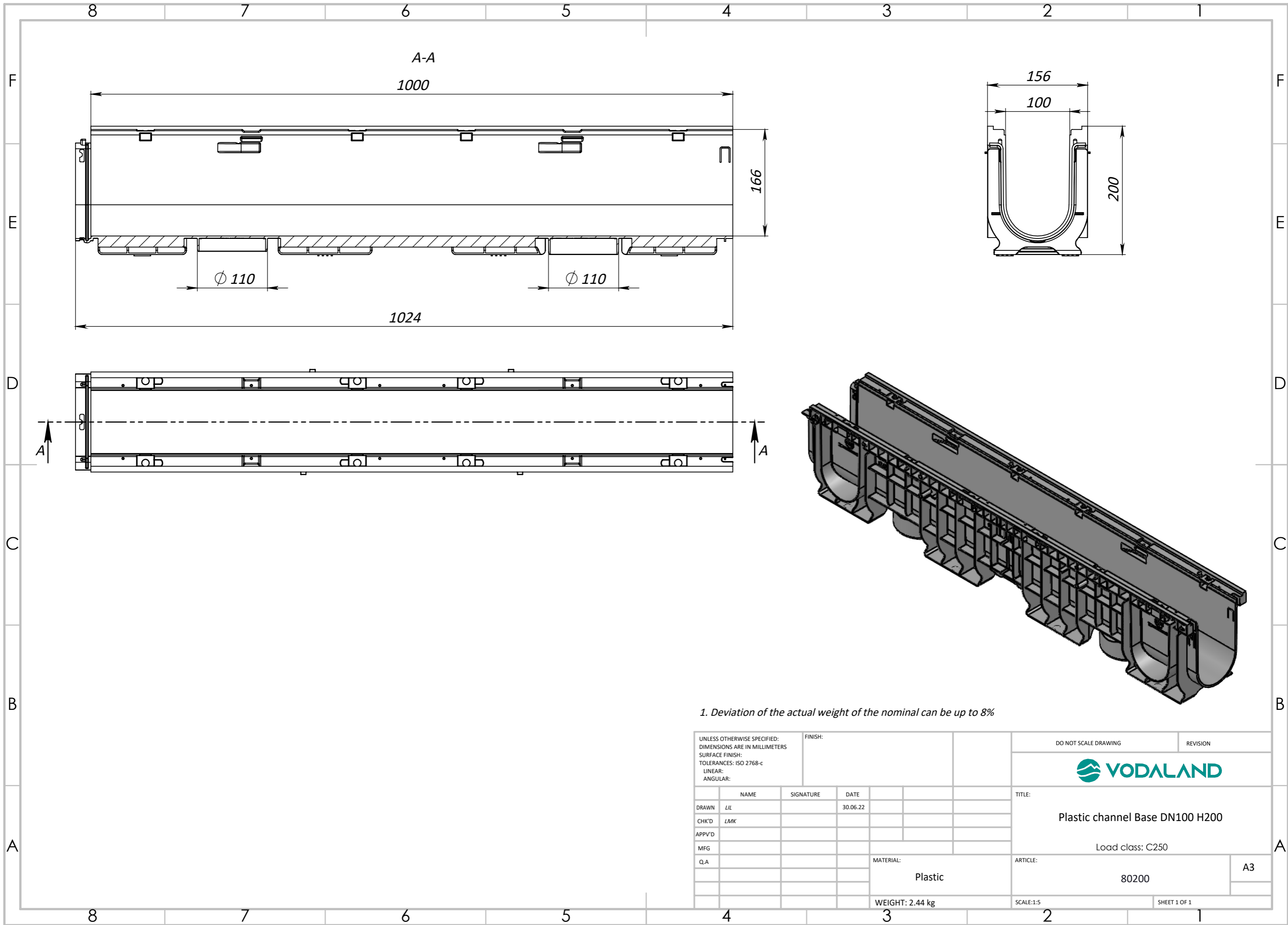
1. Deviation of the actual weight of the nominal can be up to 8%

UNLESS OTHERWISE SPECIFIED: DIMENSIONS ARE IN MILLIMETERS SURFACE FINISH: TOLERANCES: ISO 2768-c LINEAR: ANGULAR:				FINISH:		DO NOT SCALE DRAWING		REVISION	
DRAWN L/L				SIGNATURE		DATE 30.06.22		TITLE:	
CHK'D LMK				SIGNATURE		DATE		Plastic channel Base DN100 H120	
APPV'D				SIGNATURE		DATE		Load class: C250	
MFG				SIGNATURE		DATE		ARTICLE:	
Q.A				SIGNATURE		DATE		80120	
				MATERIAL:		Plastic		A3	
				WEIGHT: 1.64 kg		SCALE: 1:5		SHEET 1 OF 1	



1. Deviation of the actual weight of the nominal can be up to 8%

UNLESS OTHERWISE SPECIFIED: DIMENSIONS ARE IN MILLIMETERS SURFACE FINISH: TOLERANCES: ISO 2768-c LINEAR: ANGULAR:			FINISH:		DEBURR AND BREAK SHARP EDGES		DO NOT SCALE DRAWING		REVISION	
DRAWN <i>LIL</i>			SIGNATURE		DATE 07.07.22		TITLE:		Plastic channel Base DN100 H150	
CHK'D <i>LMK</i>									Load class: C250	
APPV'D							ARTICLE:		80150	
MFG							MATERIAL:		Plastic	
Q.A							WEIGHT: 1.95 kg		SCALE: 1:5	
							ARTICLE:		80150	
							SHEET 1 OF 1		A3	



1. Deviation of the actual weight of the nominal can be up to 8%

UNLESS OTHERWISE SPECIFIED: DIMENSIONS ARE IN MILLIMETERS SURFACE FINISH: TOLERANCES: ISO 2768-c LINEAR: ANGULAR:				FINISH:		DO NOT SCALE DRAWING		REVISION	
DRAWN <i>L/L</i>				SIGNATURE		DATE 30.06.22		TITLE: Plastic channel Base DN100 H200	
CHK'D <i>LMK</i>				APPV'D		MFG		ARTICLE: 80200	
Q.A				MATERIAL: Plastic		WEIGHT: 2.44 kg		SCALE: 1:5	
						ARTICLE: 80200		SHEET 1 OF 1	
								A3	