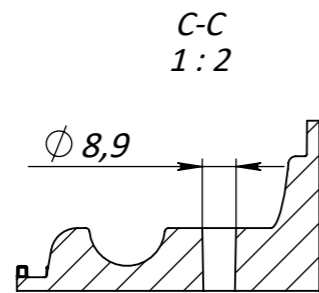
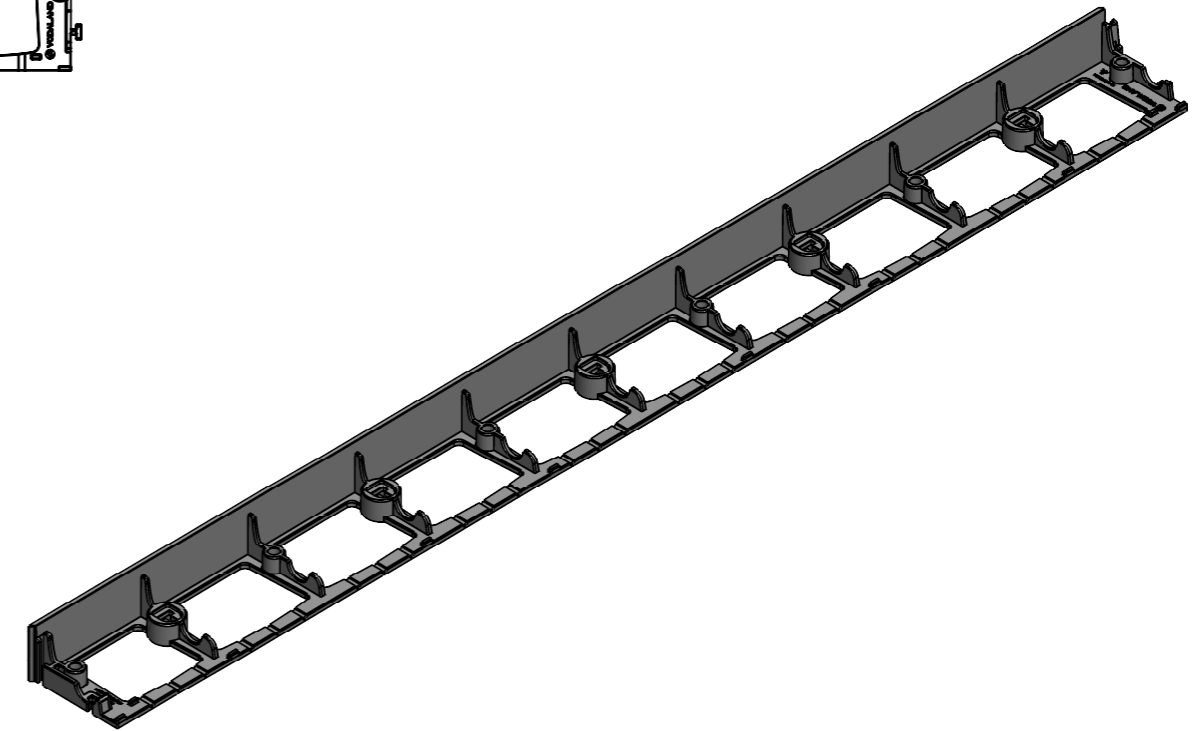
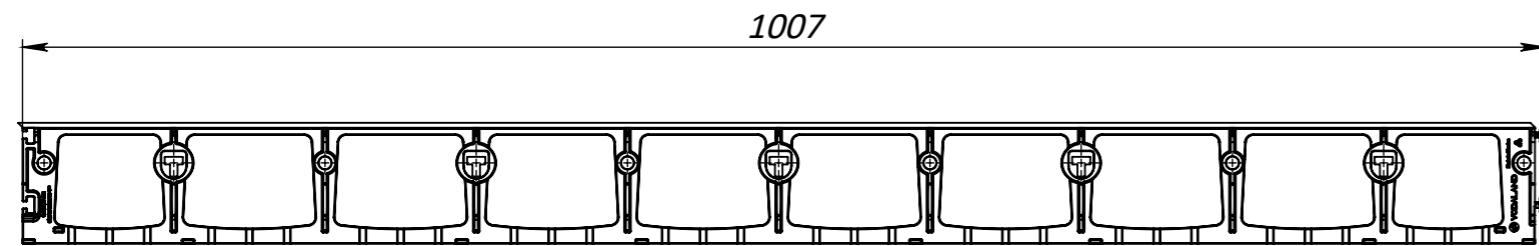
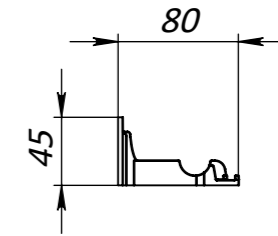
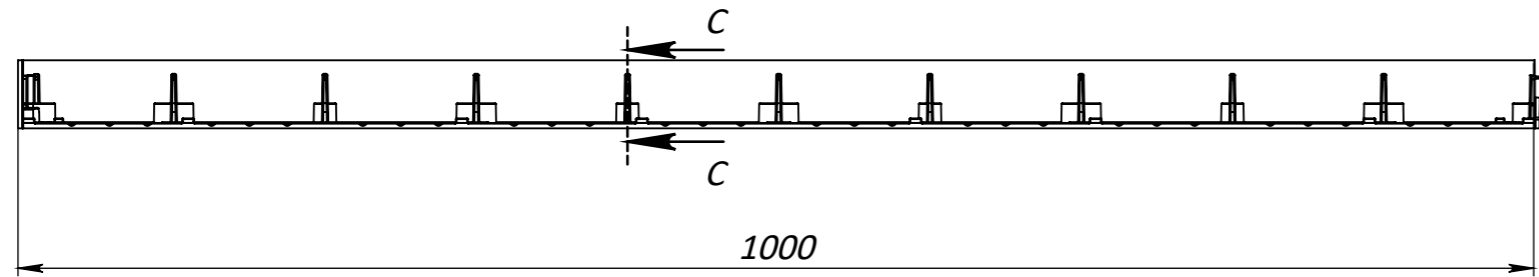


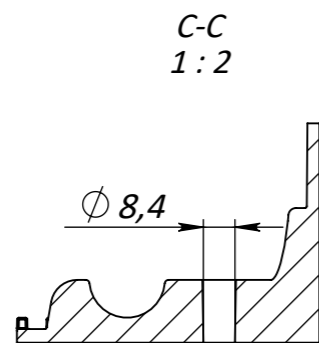
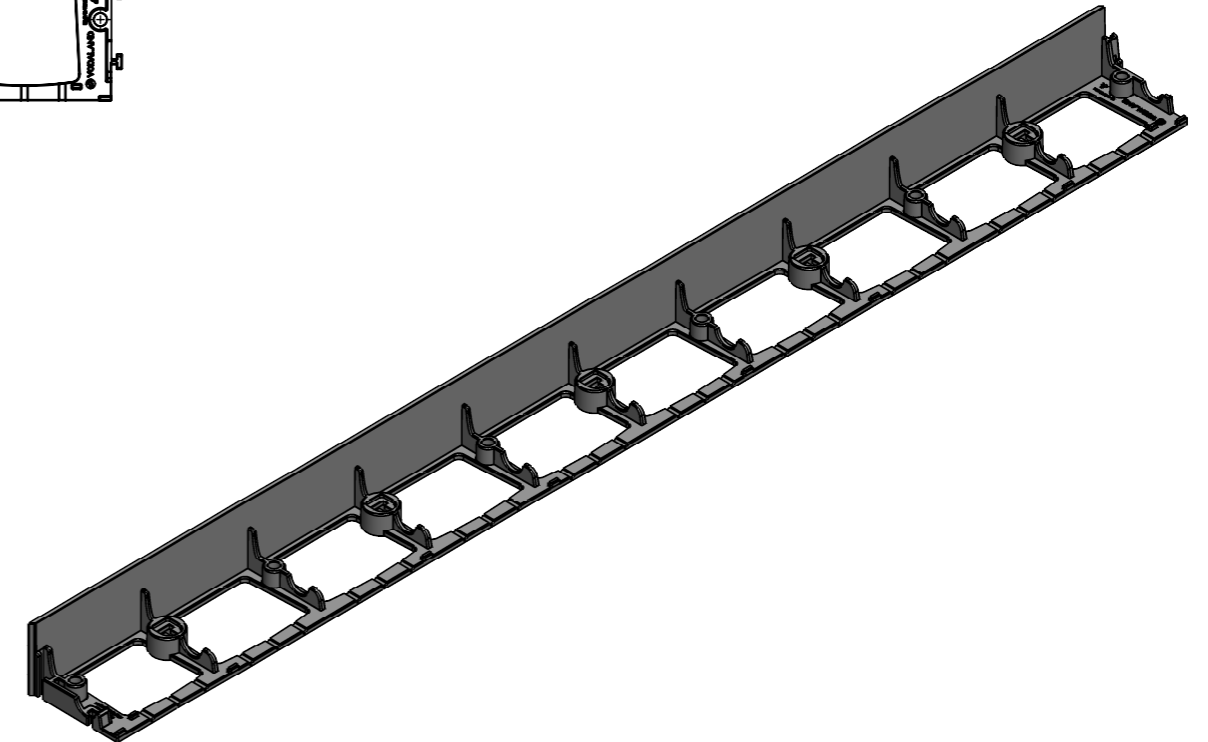
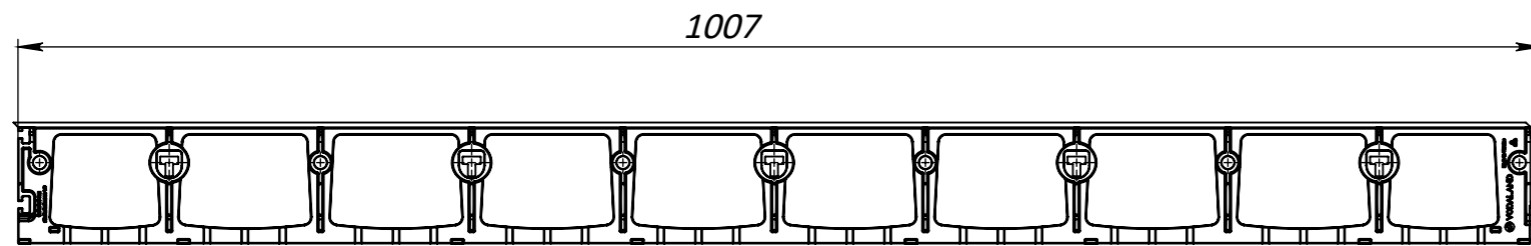
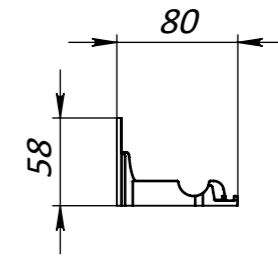
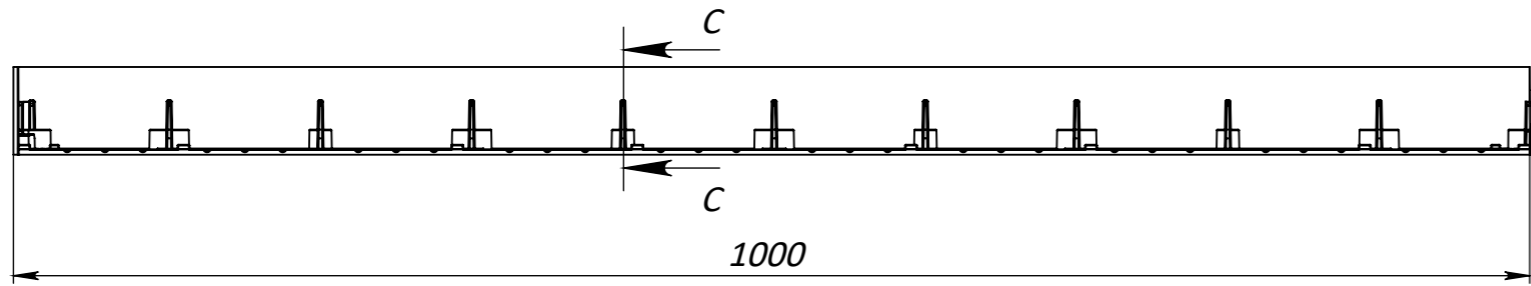
1. Deviation of the actual weight of the nominal can be up to 8%

UNLESS OTHERWISE SPECIFIED: DIMENSIONS ARE IN MILLIMETERS SURFACE FINISH: TOLERANCES: ISO 2768-c LINEAR: ANGULAR:				FINISH:		DO NOT SCALE DRAWING		REVISION	
DRAWN <i>PSM</i>				SIGNATURE		DATE		TITLE:	
CHK'D <i>PMK</i>						23.02.24		Plastic landscape edging H38 L1000 black	
APPV'D								ARTICLE:	
MFG								824388	
Q.A								A3	
				MATERIAL:		Plastic		SCALE:1:5	
				WEIGHT:0,24 kg				SHEET 1 OF 1	



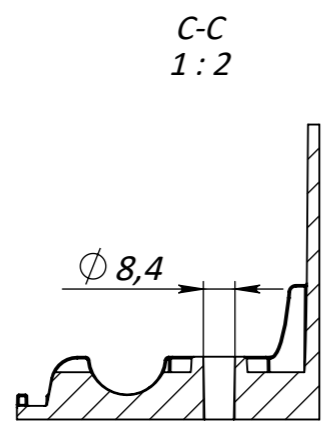
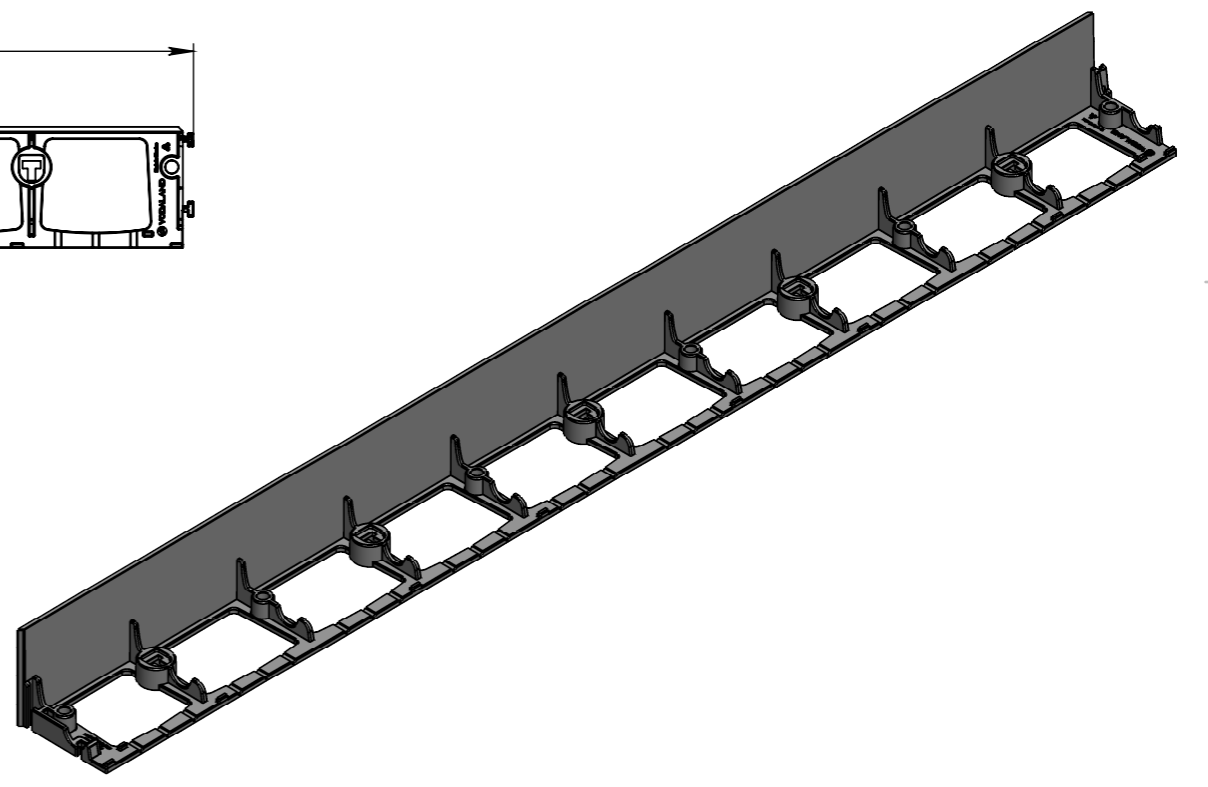
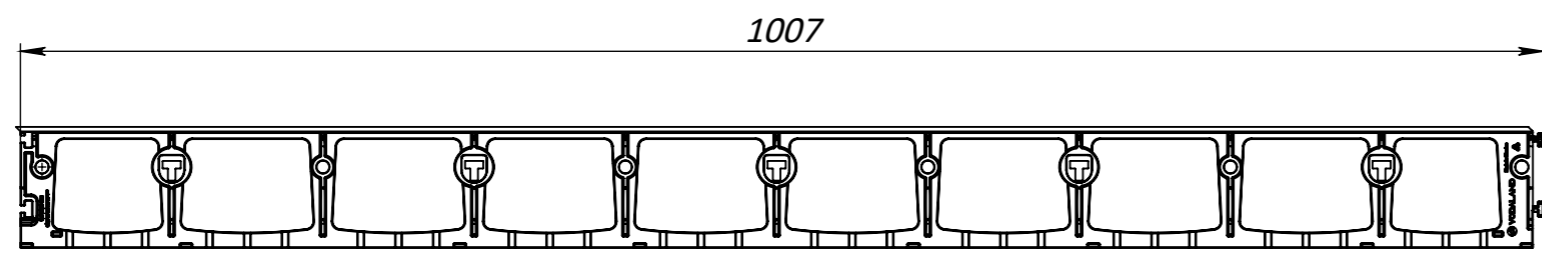
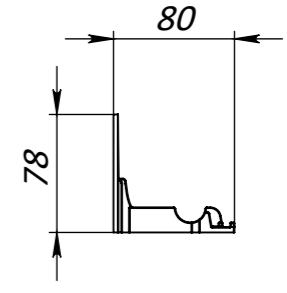
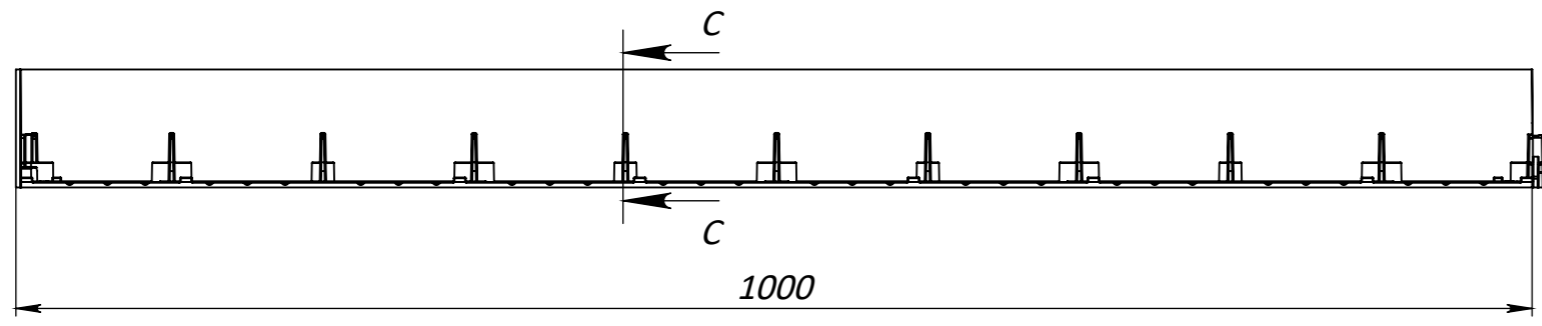
1. Deviation of the actual weight of the nominal can be up to 8%

UNLESS OTHERWISE SPECIFIED: DIMENSIONS ARE IN MILLIMETERS SURFACE FINISH: TOLERANCES: ISO 2768-c LINEAR: ANGULAR:				FINISH:		DO NOT SCALE DRAWING		REVISION	
DRAWN <i>PSM</i>				SIGNATURE		DATE		TITLE:	
CHK'D <i>PMK</i>						23.02.24		Plastic landscape edging H45 L1000 black	
APPV'D								ARTICLE:	
MFG								824458	
Q.A								A3	
				MATERIAL:		Plastic		SCALE: 1:5	
				WEIGHT: 0,265 kg				SHEET 1 OF 1	



1. Deviation of the actual weight of the nominal can be up to 8%

UNLESS OTHERWISE SPECIFIED: DIMENSIONS ARE IN MILLIMETERS SURFACE FINISH: TOLERANCES: ISO 2768-c LINEAR: ANGULAR:				FINISH:		DO NOT SCALE DRAWING		REVISION	
DRAWN <i>PSM</i>				SIGNATURE		DATE		TITLE:	
CHK'D <i>PMK</i>						23.02.24		Plastic landscape edging H58 L1000 black	
APPV'D								ARTICLE:	
MFG								804588	
Q.A								A3	
				MATERIAL:		Plastic		SCALE:1:5	
				WEIGHT: 0.30 kg				SHEET 1 OF 1	



1. Deviation of the actual weight of the nominal can be up to 8%

UNLESS OTHERWISE SPECIFIED: DIMENSIONS ARE IN MILLIMETERS SURFACE FINISH: TOLERANCES: ISO 2768-c LINEAR: ANGULAR:				FINISH:		DO NOT SCALE DRAWING		REVISION	
DRAWN <i>PSM</i>				SIGNATURE		DATE		TITLE:	
CHK'D <i>PMK</i>						23.02.24		Plastic landscape edging H78 L1000 black	
APPV'D								ARTICLE:	
MFG								824788	
Q.A								A3	
				MATERIAL:		Plastic		SCALE: 1:5	
				WEIGHT: 0.36 kg				SHEET 1 OF 1	